



Coilmaster Electronics Co., Ltd.

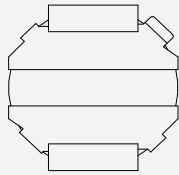
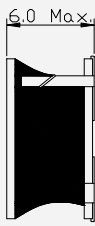
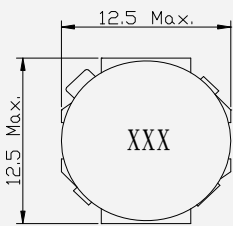
9F-3 No.398, Huan Bei Rd. Chung Li City, Taoyuan 320, Taiwan
Tel : +886-3-422-8279 Fax : +886-3-422-8734

E-mail : info@coilmaster.com.tw

Web Site : www.coilmaster.com.tw

SMT Power Inductors

SQH125CS



- Size : 12.5x12.5x6.0 (mm)
- Core material : Ferrite + Magnetics Epoxy
- Magnetically shielded
- RoHS-compatible

Terminals : Lead-free tinned
 Solderability : Reflow soldering
 Marking : L value (μ H, coded)
 Delivery mode : Tape & reel packing
 Packing unit : 400 pcs/reel

INDUCTANCE (μ H)	Tolerance	f _L MHz	IDC (A) (Max.)	DCR (Ω) (Max.)	Ordering code
1.3	±30%=N	7.96	8.00	0.012	SQH125CS-1R3N-LF
2.1		7.96	7.00	0.014	SQH125CS-2R1N-LF
3.1		7.96	6.00	0.017	SQH125CS-3R1N-LF
4.4		7.96	5.00	0.020	SQH125CS-4R4N-LF
5.8		7.96	4.40	0.021	SQH125CS-5R8N-LF
7.5		7.96	4.20	0.024	SQH125CS-7R5N-LF
10	±20%=M	0.001	4.00	0.025	SQH125CS-100M-LF
12		0.001	3.50	0.027	SQH125CS-120M-LF
15		0.001	3.30	0.030	SQH125CS-150M-LF
18		0.001	3.00	0.034	SQH125CS-180M-LF
22		0.001	2.80	0.036	SQH125CS-220M-LF
27		0.001	2.30	0.051	SQH125CS-270M-LF
33		0.001	2.10	0.057	SQH125CS-330M-LF
39		0.001	2.00	0.068	SQH125CS-390M-LF
47		0.001	1.80	0.075	SQH125CS-470M-LF
56		0.001	1.70	0.110	SQH125CS-560M-LF
68		0.001	1.50	0.120	SQH125CS-680M-LF
82		0.001	1.40	0.140	SQH125CS-820M-LF
100	0.001	1.30	0.160	SQH125CS-101M-LF	
120	0.001	1.10	0.170	SQH125CS-121M-LF	

- DC current at which the inductance drops 25% (typ) from its value without current.
- Operating temperature range -40°C to +125°C.
- Electrical specifications at 25°C .



Coilmaster Electronics Co., Ltd.

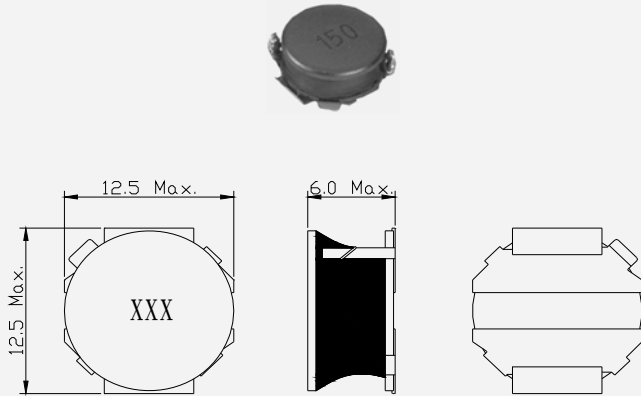
9F-3 No.398, Huan Bei Rd. Chung Li City, Taoyuan 320, Taiwan
Tel : +886-3-422-8279 Fax : +886-3-422-8734

E-mail : info@coilmaster.com.tw

Web Site : www.coilmaster.com.tw

SMT Power Inductors

SQH125CS



- Size : 12.5x12.5x6.0 (mm)
- Core material : Ferrite + Magnetics Epoxy
- Magnetically shielded
- RoHS-compatible

Terminals : Lead-free tinned
Solderability : Reflow soldering
Marking : L value (μH , coded)
Delivery mode : Tape & reel packing
Packing unit : 400 pcs/reel

INDUCTANCE (μH)	Tolerance	f_L MHz	IDC (A) (Max.)	DCR (Ω) (Max.)	Ordering code
150		0.001	1.00	0.230	SQH125CS-151M-LF
180		0.001	0.90	0.290	SQH125CS-181M-LF
220		0.001	0.80	0.400	SQH125CS-221M-LF
270		0.001	0.75	0.460	SQH125CS-271M-LF
330		0.001	0.68	0.510	SQH125CS-331M-LF
390		0.001	0.65	0.690	SQH125CS-391M-LF
470		0.001	0.58	0.770	SQH125CS-471M-LF
560		0.001	0.54	0.860	SQH125CS-561M-LF
680		0.001	0.48	1.200	SQH125CS-681M-LF
820		0.001	0.43	1.340	SQH125CS-821M-LF
1000		0.001	0.40	1.530	SQH125CS-102M-LF

- DC current at which the inductance drops 25% (typ) from its value without current.
- Operating temperature range -40°C to $+125^\circ\text{C}$.
- Electrical specifications at 25°C .