



SPO2506 SERIES – Low Profile SMD Power Inductors

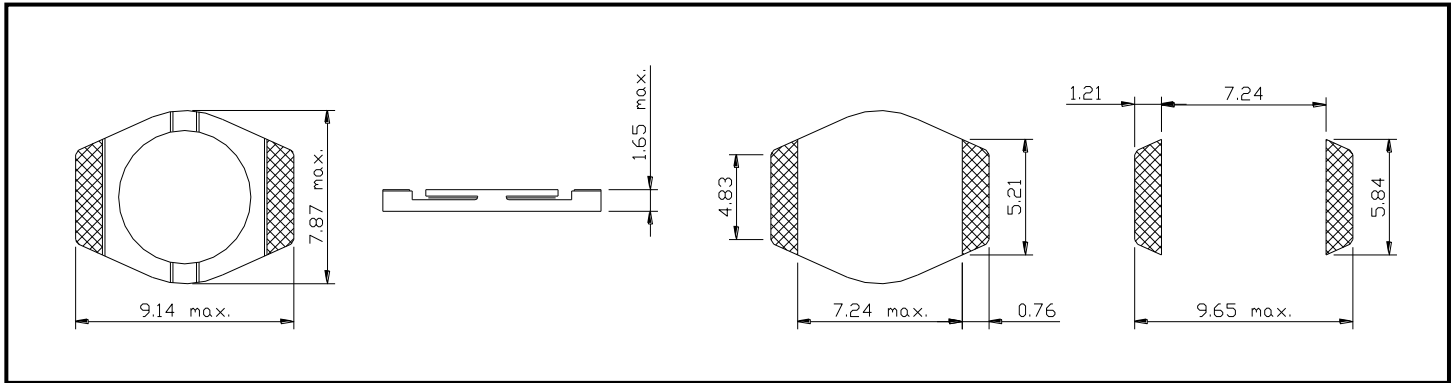


PART NUMBERING SYSTEM

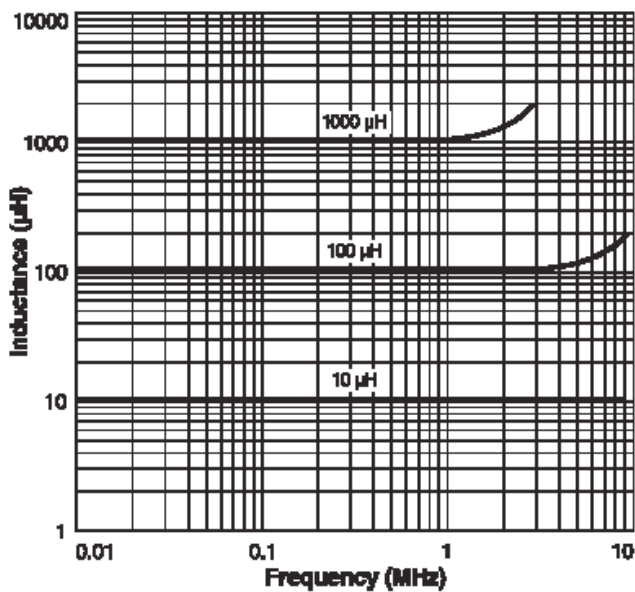
SPO	2506	—	680M	—	LF
TYPE	DIMENSIONS		INDUCTANCE		LEAD FREE

SHAPES AND DIMENSIONS

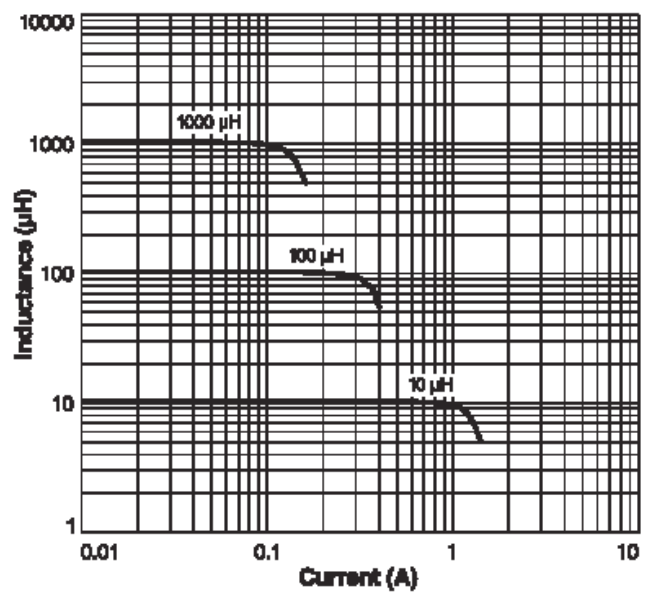
UNIT : mm



Typical L vs Frequency



Typical L vs Current



SPO2506 SERIES – Low Profile SMD Power Inductors



SPECIFICATION TABLE

PART NUMBER	INDUCTANCE (μ H)	DCR (Ω) (Max.)	I _{sat} (A) (Max.)	I _{rms} (A) (Max.)	SRF(MHz) (Ref.)
SPO2506-4R7M-LF	4.7±20%	0.145	1.60	1.90	90
SPO2506-6R8M-LF	6.8±20%	0.165	1.30	1.70	75
SPO2506-8R2M-LF	8.2±20%	0.200	1.00	1.50	65
SPO2506-100M-LF	10±20%	0.240	1.00	1.50	60
SPO2506-150M-LF	15±20%	0.300	0.90	1.30	45
SPO2506-220M-LF	22±20%	0.420	0.70	1.00	35
SPO2506-330M-LF	33±20%	0.550	0.60	0.90	30
SPO2506-470M-LF	47±20%	0.765	0.50	0.70	22
SPO2506-680M-LF	68±20%	1.10	0.40	0.60	20
SPO2506-101M-LF	100±20%	1.60	0.30	0.50	15
SPO2506-151M-LF	150±20%	2.50	0.25	0.40	12
SPO2506-221M-LF	220±20%	3.65	0.22	0.32	10
SPO2506-331M-LF	330±20%	4.65	0.18	0.28	8.0
SPO2506-471M-LF	470±20%	6.75	0.14	0.24	6.5
SPO2506-681M-LF	680±20%	9.15	0.12	0.20	5.5
SPO2506-102M-LF	1000±20%	14.20	0.10	0.16	4.5

- Inductance tested at 100 kHz, 0.1 Vrms
- I_{sat} : DC current at which the inductance drops 10% (typ) from its value without current.
- I_{rms} : Average current for 40°C temperature rise from 25°C ambient.
- Operating temperature range -40°C to +105°C.
- Electrical specifications at 25°C.

FEATURES

- Handles **up to 1.9 Amps**
- Inductance value from **4.7uH to 1000uH**
- On-board version is 1,65 mm high
- Ceramic cover provides **best possible surface for pick and place operations.**
- **RoHS-compliant.** 260°C compatible.

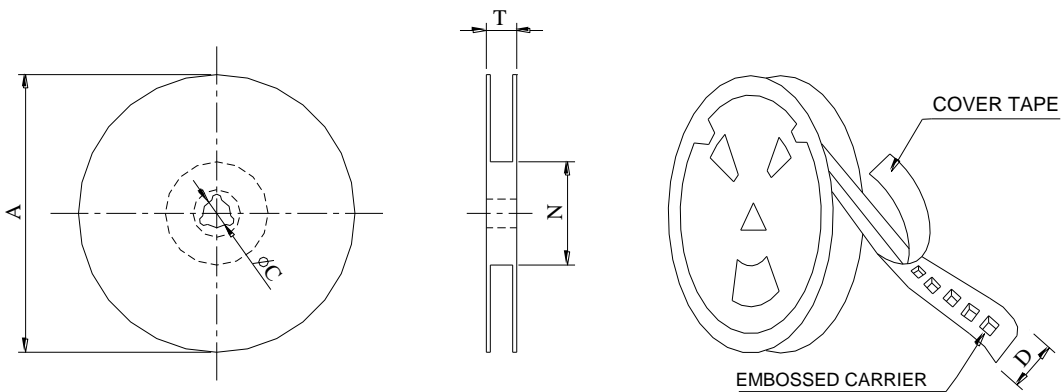


SP02506 SERIES – Low Profile SMD Power Inductors



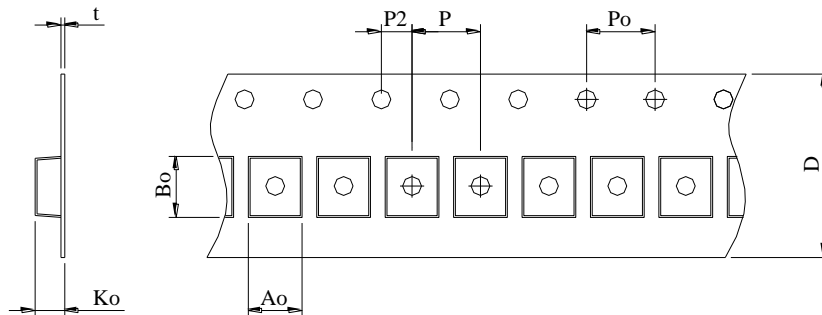
PACKAGING SPECIFICATION

Reel Dimensions



*CARRIER TAPE WIDTH : D

Tape Dimensions



Piece /Reel		Reel Dimensions				Tape Dimensions							
		A	N	C	T	Ao	Bo	Ko	P	Po	P2	D	t
178	330	330	100	13	16.3	8.0	9.3	1.8	12	4	2	16	0.3

