



# SLS5D14 SERIES ~

## Low Profile Shielded Power Inductors



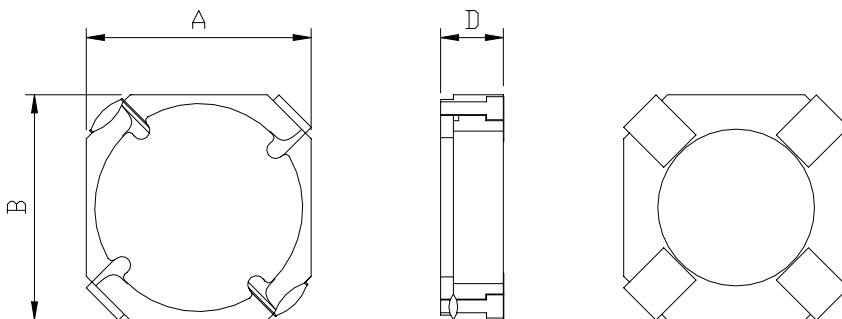
RoHS Compliant

### PART NUMBERING SYSTEM

<b><u>SDC</u></b>	<b><u>5 D 1 4</u></b>	<b>—</b>	<b><u>4 R 7 N</u></b>	<b>—</b>	<b><u>LF</u></b>
TYPE	DIMENSIONS		INDUCTANCE		LEAD FREE

### SHAPES AND DIMENSIONS

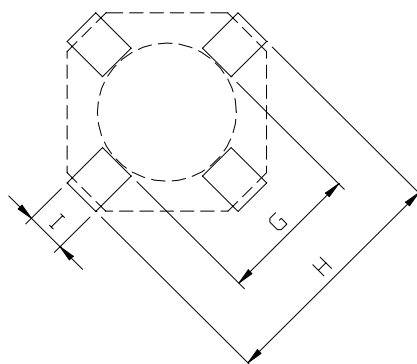
UNIT : mm



**A=6.15 Max. B=6.15 Max. D=1.5 Max.**

### RECOMMENDED PATTERNS

UNIT : mm



**G=4.1 H=7.3 I=1.9**



## SLS5D14 SERIES ~

### Low Profile Shielded Power Inductors



RoHS Compliant

#### ELECTRICAL CHARACTERISTICS

PART NUMBER	INDUCTANCE ( $\mu$ H)	DCR ( $m\Omega$ ) (max.)	Isat (mA) (Max.)	Irms (mA) (Max.)
SLS5D14-4R7N-LF	4.7 $\pm$ 30%	77	1400	1450
SLS5D14-6R8N-LF	6.8 $\pm$ 30%	105	1200	1200
SLS5D14-100N-LF	10 $\pm$ 30%	140	1000	1000
SLS5D14-150N-LF	15 $\pm$ 30%	200	750	850
SLS5D14-220N-LF	22 $\pm$ 30%	290	600	650
SLS5D14-330N-LF	33 $\pm$ 30%	490	500	480
SLS5D14-470N-LF	47 $\pm$ 30%	680	400	430
SLS5D14-680N-LF	47 $\pm$ 30%	850	350	350
SLS5D14-101N-LF	47 $\pm$ 30%	1450	300	270

- Open Circuit Inductance Test Parameters; 100KHZ, 0Adc.
- It is either the inductance is 35% lower than its nominal value in D.C. saturation characteristics or temperature raise becomes  $\Delta T=40^{\circ}C$ , whichever is lower.
- Operating temperature range  $-40^{\circ}C$  to  $+85^{\circ}C$
- Electrical specifications at  $25^{\circ}C$ .
- Packing : 7" reel, machine-ready ,embossed plastic tape (1,000 parts per full reel).