



# SLS5D11 SERIES ~

## Low Profile Shielded Power Inductors



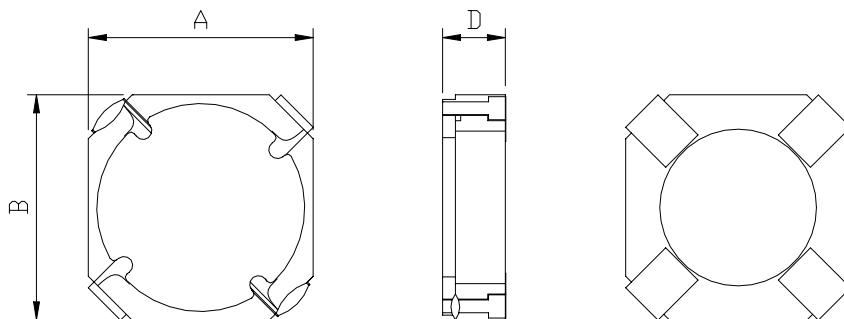
RoHS Compliant

### PART NUMBERING SYSTEM

<u><b>SDC</b></u>	<u><b>5 D 1 1</b></u>	—	<u><b>4 R 7 N</b></u>	—	<u><b>LF</b></u>
TYPE	DIMENSIONS		INDUCTANCE		LEAD FREE

### SHAPES AND DIMENSIONS

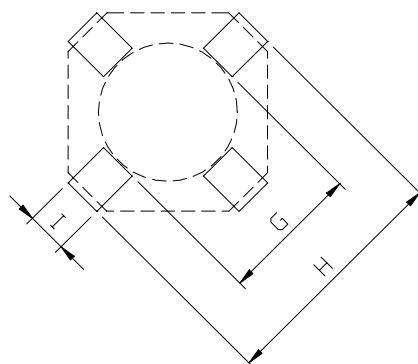
UNIT : mm



**A=6.15 Max. B=6.15 Max. D=1.2 Max.**

### RECOMMENDED PATTERNS

UNIT : mm



**G=4.1 H=7.3 I=1.9**



## SLS5D11 SERIES ~

### Low Profile Shielded Power Inductors



RoHS Compliant

#### ELECTRICAL CHARACTERISTICS

PART NUMBER	INDUCTANCE ( $\mu$ H)	DCR (m $\Omega$ ) (max.)	Isat (mA) (Max.)	Irms (mA) (Max.)
SLS5D11-4R7N-LF	4.7 $\pm$ 30%	120	1100	1100
SLS5D11-6R8N-LF	6.8 $\pm$ 30%	160	950	900
SLS5D11-100N-LF	10 $\pm$ 30%	210	830	800
SLS5D11-150N-LF	15 $\pm$ 30%	310	700	650
SLS5D11-220N-LF	22 $\pm$ 30%	450	570	530
SLS5D11-330N-LF	33 $\pm$ 30%	620	450	420
SLS5D11-470N-LF	47 $\pm$ 30%	930	380	350

- Open Circuit Inductance Test Parameters; 100KHZ, 0Adc.
- It is either the inductance is 35% lower than its nominal value in D.C. saturation characteristics or temperature raise becomes  $\Delta T=40^{\circ}\text{C}$ , whichever is lower.
- Operating temperature range  $-40^{\circ}\text{C}$  to  $+85^{\circ}\text{C}$
- Electrical specifications at  $25^{\circ}\text{C}$ .
- Packing : 7" reel, machine-ready ,embossed plastic tape (1,000 parts per full reel).