

SDS6030 SERIES ~ Shielded SMD Power Inductors

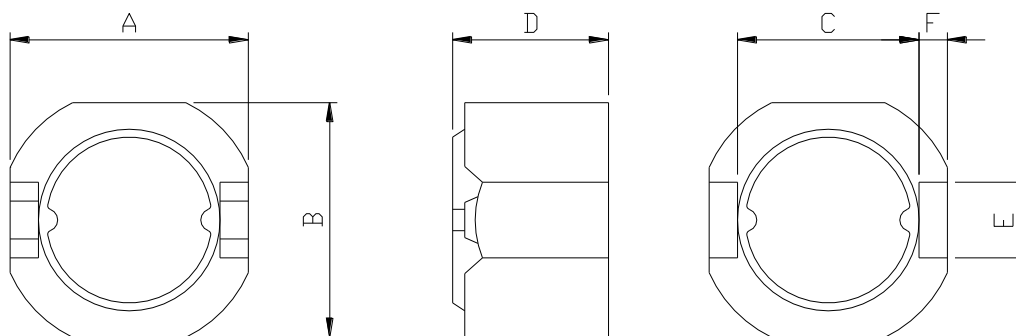


PART NUMBERING SYSTEM

SDS	6030	—	330M	—	LF
TYPE	DIMENSIONS		INDUCTANCE		LEAD FREE

SHAPES AND DIMENSIONS

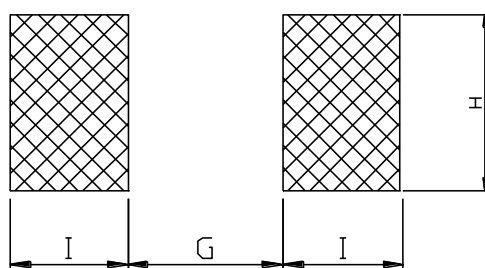
UNIT : mm



A=6.3 Max. B=6.3 Max. C=4.8 D=3.0 Max. E=2.0 F=0.6

RECOMMENDED PATTERNS

UNIT : mm



G= 4.60 H= 2.60 I = 1.00

FEATURES

- Low profile (6.2x6.3 max. square. 3.0mm max. height).
- Magnetically shielded construction and low DC resistance.
- Suitable for large current.
- Ideal for a variety of DC-DC converter inductor application.
- Lead Free and RoHS Compliant.

SDS6030 SERIES ~ Shielded SMD Power Inductors



SPECIFICATION TABLE

PART NUMBER	INDUCTANCE (μ H)	DCR (m Ω) (Max.)	Isat (A) (Max.)	Irms (A) (Max.)	TEST FREQ. (f)
SDS6030-1R0M-LF	1.0 \pm 20%	14	3.59	4.52	100KHz
SDS6030-1R5M-LF	1.5 \pm 20%	16	2.93	3.78	100KHz
SDS6030-2R2M-LF	2.2 \pm 20%	20	2.42	3.51	100KHz
SDS6030-3R6M-LF	3.6 \pm 20%	26	1.89	3.01	100KHz
SDS6030-4R7M-LF	4.7 \pm 20%	33	1.66	2.58	100KHz
SDS6030-6R2M-LF	6.2 \pm 20%	39	1.45	2.28	100KHz
SDS6030-100M-LF	10 \pm 20%	59	1.14	1.91	100KHz
SDS6030-120M-LF	12 \pm 20%	63	1.04	1.80	100KHz
SDS6030-150M-LF	15 \pm 20%	75	0.93	1.78	100KHz
SDS6030-180M-LF	18 \pm 20%	89	0.85	1.53	100KHz
SDS6030-220M-LF	22 \pm 20%	115	0.77	1.34	100KHz
SDS6030-270M-LF	27 \pm 20%	144	0.70	1.14	100KHz
SDS6030-330M-LF	33 \pm 20%	168	0.63	1.01	100KHz
SDS6030-390M-LF	39 \pm 20%	180	0.58	0.98	100KHz
SDS6030-470M-LF	47 \pm 20%	225	0.53	0.89	100KHz
SDS6030-560M-LF	56 \pm 20%	264	0.48	0.82	100KHz
SDS6030-680M-LF	68 \pm 20%	324	0.44	0.73	100KHz
SDS6030-820M-LF	82 \pm 20%	396	0.40	0.64	100KHz
SDS6030-101M-LF	100 \pm 20%	498	0.36	0.58	100KHz
SDS6030-151M-LF	150 \pm 20%	738	0.31	0.44	100KHz

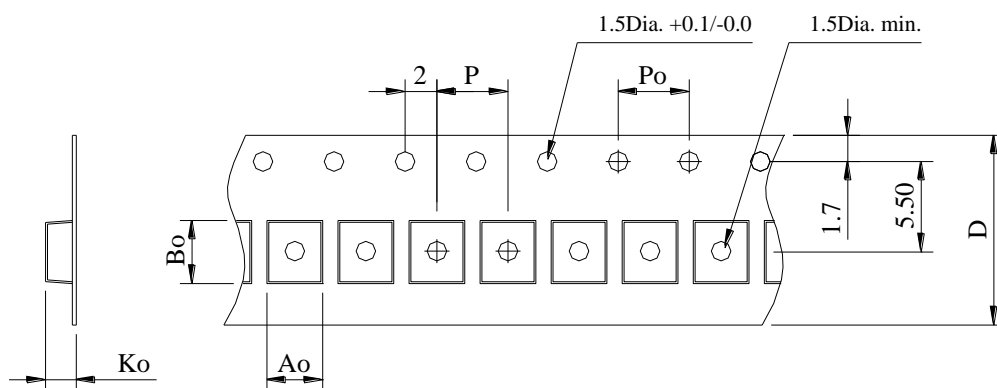
- Isat : DC current at which the inductance drops 30%(typ) from its value without current.
- I rms : Average current for 40°C temperature rise from 20°C ambient.
- Operating temperature range -40°C to +125°C ,
- Electrical specifications at 20°C .



SDS6030 SERIES ~ Shielded SMD Power Inductors



PACKAGING SPECIFICATION



STAYLE	Q'TY (PCS)	DIMENSIONS (m/m)					
		Ao	Bo	Ko	P	Po	D±0.3
13"	1,500	5.72	5.72	3.50	8.00	4.00	12.0