

## SDS6015 SERIES ~ Shielded SMD Power Inductors

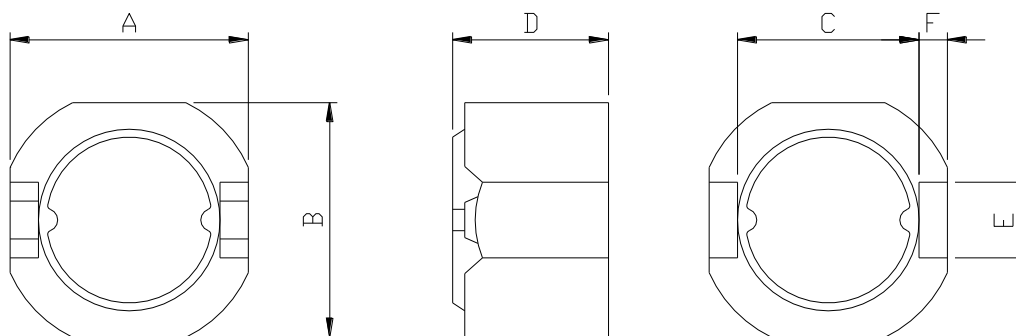


### PART NUMBERING SYSTEM

|            |             |   |             |   |           |
|------------|-------------|---|-------------|---|-----------|
| <b>SDS</b> | <b>6015</b> | — | <b>3R3N</b> | — | <b>LF</b> |
| TYPE       | DIMENSIONS  |   | INDUCTANCE  |   | LEAD FREE |

### SHAPES AND DIMENSIONS

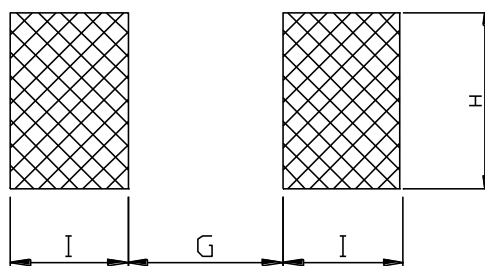
UNIT : mm



A=6.3 Max. B=6.3 Max. C=4.8 D=1.65 Max. E=2.0 F=0.6

### RECOMMENDED PATTERNS

UNIT : mm



G= 4.60 H= 2.60 I= 1.00

### FEATURES

- Low profile (6.2x6.3 max. square. 1.65mm max. height).
- Magnetically shielded construction and low DC resistance.
- Suitable for large current.
- Ideal for a variety of DC-DC converter inductor application.
- Lead Free and RoHS Compliant.

## SDS6015 SERIES ~ Shielded SMD Power Inductors

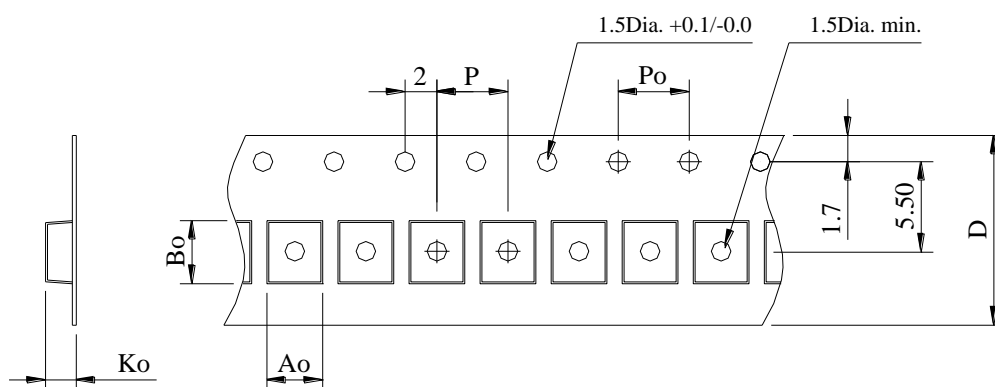


### SPECIFICATION TABLE

| PART NUMBER     | INDUCTANCE<br>( $\mu$ H) | DCR (m $\Omega$ )<br>(Max.) | Isat (A)<br>(Max.) | I <sub>rms</sub> (A)<br>(Max.) | TEST FREQ.<br>( f ) |
|-----------------|--------------------------|-----------------------------|--------------------|--------------------------------|---------------------|
| SDS6015-1R4N-LF | 1.4 $\pm$ 30%            | 27                          | 2.80               | 3.50                           | 100KHz              |
| SDS6015-2R0N-LF | 2.0 $\pm$ 30%            | 33                          | 2.40               | 3.10                           | 100KHz              |
| SDS6015-3R3N-LF | 3.3 $\pm$ 30%            | 57                          | 1.90               | 2.40                           | 100KHz              |
| SDS6015-5R1N-LF | 5.1 $\pm$ 30%            | 77                          | 1.50               | 1.90                           | 100KHz              |
| SDS6015-6R8N-LF | 6.8 $\pm$ 30%            | 110                         | 1.40               | 1.50                           | 100KHz              |
| SDS6015-100N-LF | 10 $\pm$ 30%             | 140                         | 1.10               | 1.30                           | 100KHz              |

- Isat : DC current at which the inductance drops 35%(typ) from its value without current.
- I<sub>rms</sub> : Average current for 40°C temperature rise from 20°C ambient.
- Operating temperature range -40°C to +125°C , Electrical specifications at 25°C .
- PLATING / SOLDER : TIN-SILVER-COPPER (95.5%/4.0%/0.5%)

### PACKAGING SPECIFICATION



| STAYLE | Q'TY (PCS) | DIMENSIONS (m/m) |      |      |      |      |             |
|--------|------------|------------------|------|------|------|------|-------------|
|        |            | Ao               | Bo   | Ko   | P    | Po   | D $\pm$ 0.3 |
| 13"    | 2,000      | 5.72             | 5.72 | 1.85 | 8.00 | 4.00 | 12.0        |