



SDS5022M SERIES ~ SMD Shielded Power Inductors



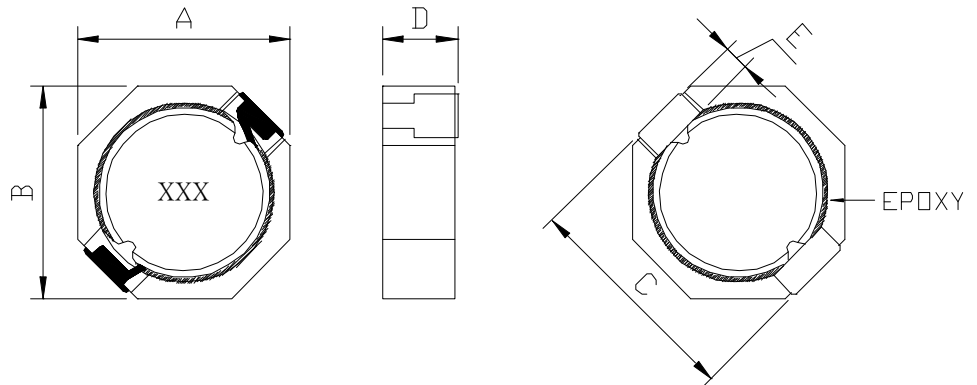
RoHS Compliant

PART NUMBERING SYSTEM

<u>SDS</u>	<u>5022M</u>	—	<u>100M</u>	—	<u>LF</u>
TYPE	DIMENSIONS		INDUCTANCE		LEAD FREE

SHAPES AND DIMENSIONS

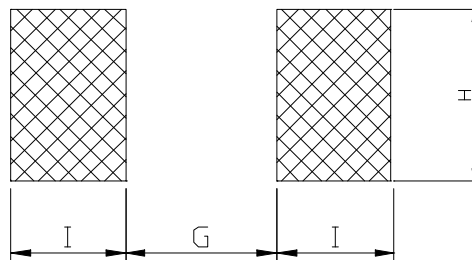
UNIT : mm



A=5.20 Max. B=5.20 Max. C=5.80 Ref. D=2.20 Max. E=0.60 Ref.

RECOMMENDED PATTERNS

UNIT : mm



G= 3.20 H= 2.00 I = 1.50

FEATURES

- Low profile (2.20mm max. height) and 5.2mm max. square.
- Magnetically shielded and High Current with low DC resistance .
- Suitable as inductors for Cellular phone .
- Ideal for a variety of DC-DC converter inductor .
- Most suitable for portable electronic equipment requiring low profile and high density mounting .



Coilmaster Electronics Co., Ltd.

9F-3 No.398, Huan Bei Rd. Chung Li City, Taoyuan 320, Taiwan
Tel : +886-3-422-8279 Fax : +886-3-422-8734

E-mail : info@coilmaster.com.tw

Web Site : www.coilmaster.com.tw

SDS5022M SERIES ~ SMD Shielded Power Inductors



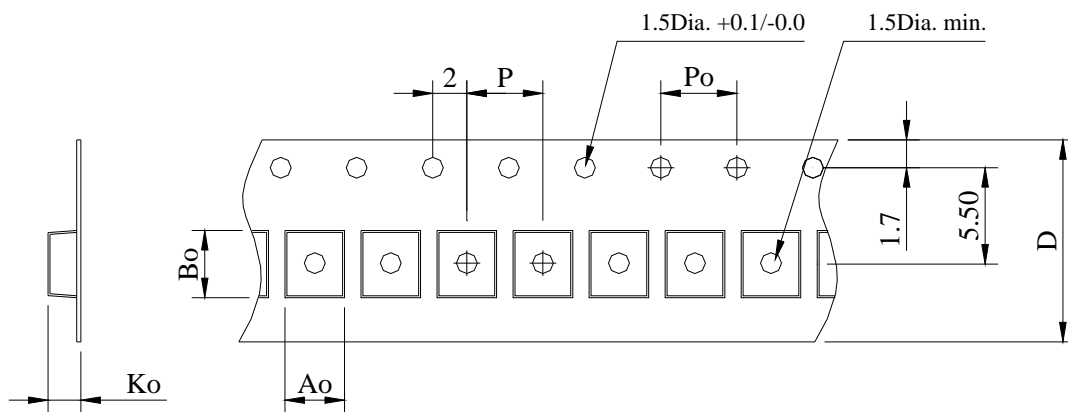
RoHS Compliant

SPECIFICATION TABLE

PART NUMBER	INDUCTANCE (μ H)	DCR (m Ω) (Max.)	Isat (A) (Max.)	Irms (A) (Max.)	TEST FREQ. (f)
SDS5022M-1R2N-LF	1.2 \pm 30%	25	4.30	4.20	100KHz
SDS5022M-1R8N-LF	1.8 \pm 30%	32	3.60	3.80	100KHz
SDS5022M-2R2N-LF	2.2 \pm 30%	40	3.20	3.40	100KHz
SDS5022M-3R3N-LF	3.3 \pm 30%	60	2.50	2.70	100KHz
SDS5022M-4R7N-LF	4.7 \pm 30%	81	2.00	2.30	100KHz
SDS5022M-100M-LF	10 \pm 20%	160	1.40	1.70	100KHz
SDS5022M-220M-LF	22 \pm 20%	320	0.90	1.20	100KHz

- Isat : DC current at which the inductance drops 30%(typ) from its value without current.
- I rms : Average current for 40°C temperature rise from 25°C ambient.
- Operating temperature range -40°C to +125°C
- Electrical specifications at 25°C .

PACKAGING SPECIFICATION



STAYLE	Q' TY (PCS)	DIMENSIONS (m/m)					
		Ao	Bo	Ko	P	Po	D \pm 0.3
13"	2,000	5.72	5.72	2.40	8.00	4.00	12.0



SDS5022M SERIES ~

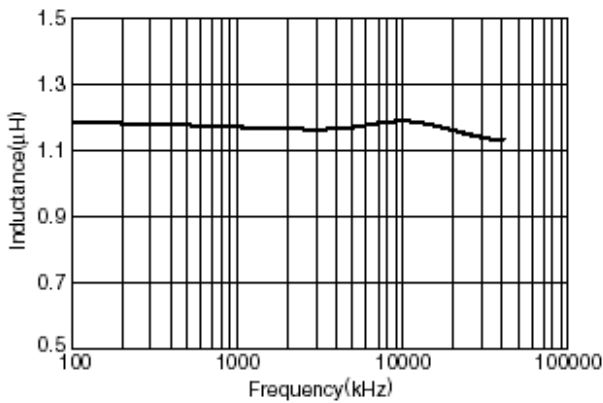
SMD Shielded Power Inductors



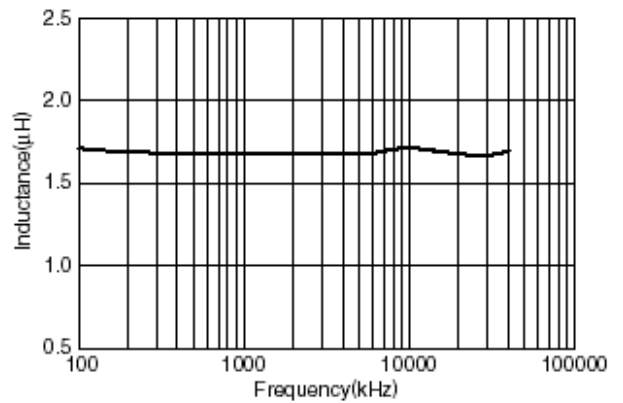
RoHS Compliant

TYPICAL INDUCTANCE VS. FREQUENCY

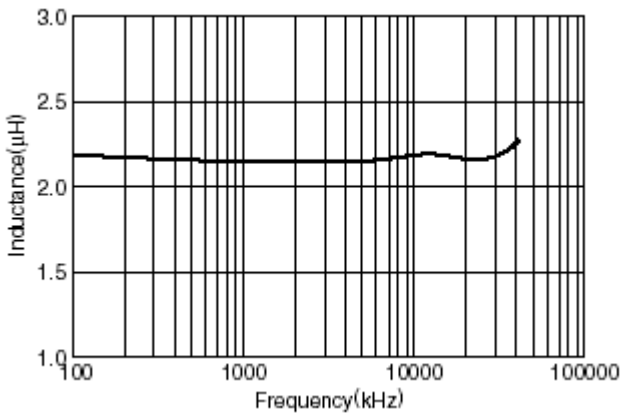
SDS5022M-1R2N-LF



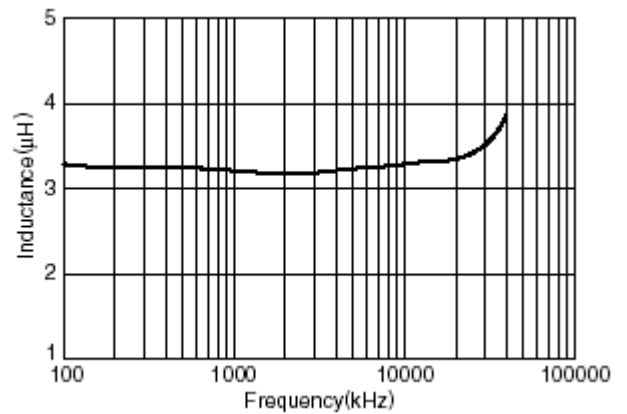
SDS5022M-1R8N-LF



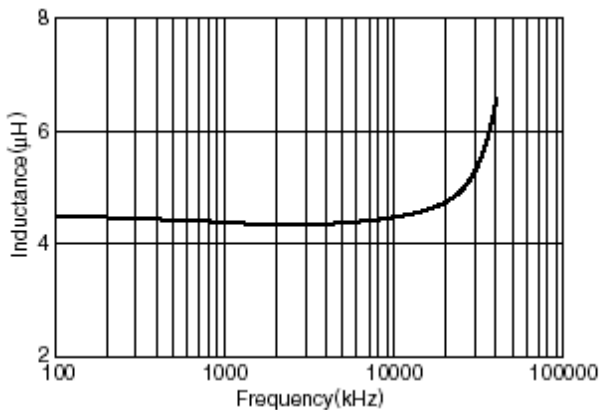
SDS5022M-2R2N-LF



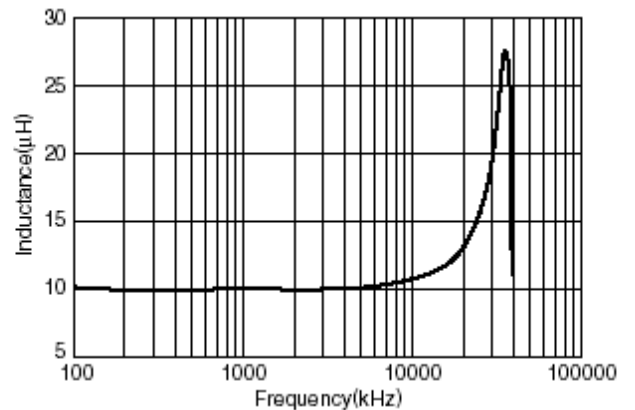
SDS5022M-3R3N-LF



SDS5022M-4R7N-LF



SDS5022M-100M-LF





SDS5022M SERIES ~

SMD Shielded Power Inductors



RoHS Compliant

TYPICAL INDUCTANCE VS. FREQUENCY

