



SDS4D15 SERIES

Low Profile Shielded Power Inductors



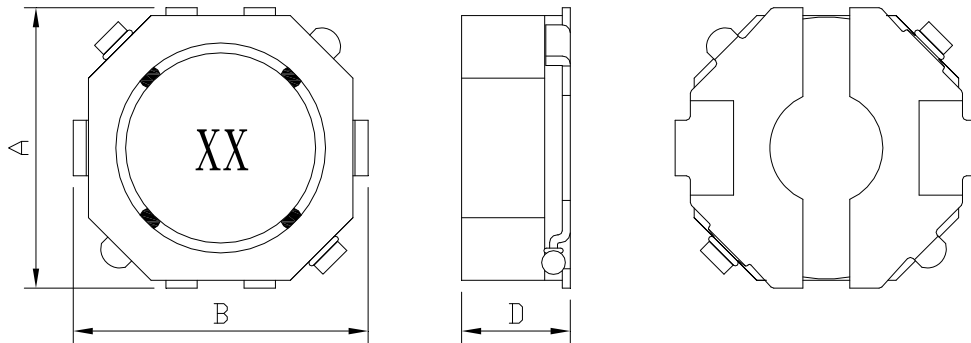
RoHS Compliant

PART NUMBERING SYSTEM

SDS	4D15	—	8R2N	—	LF
TYPE	DIMENSIONS		INDUCTANCE		LEAD FREE

SHAPES AND DIMENSIONS

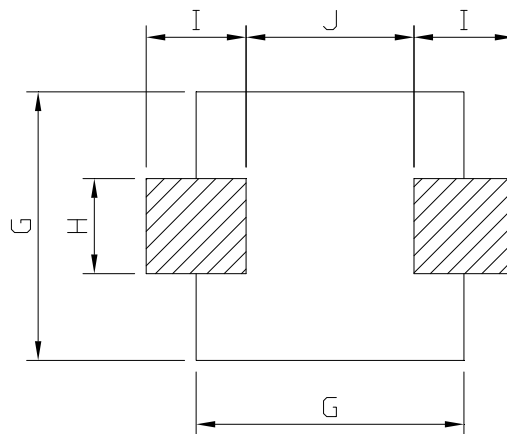
UNIT : mm



A=4.9 Max. B=4.9 Max. D=1.5 Max.

RECOMMENDED PATTERNS

UNIT : mm



G=5.0 H=1.6 I=1.4 J=2.8



SDS4D15 SERIES

Low Profile Shielded Power Inductors



RoHS Compliant

ELECTRICAL CHARACTERISTICS :

PART NUMBER	INDUCTANCE (μ H)	DCR (m Ω) Max.(Typ.)	Isat (A) (Max.)	Irms (A) (Max.)	Stamp
SDS4D15-1R0N-LF	1.0 \pm 30%	81(65)	3.00	1.75	1R0
SDS4D15-1R2N-LF	1.2 \pm 30%	100(80)	2.50	1.70	1R2
SDS4D15-1R8N-LF	1.8 \pm 30%	121(97)	2.20	1.65	1R8
SDS4D15-2R7N-LF	2.7 \pm 30%	137(110)	2.00	1.60	2R7
SDS4D15-3R3N-LF	3.3 \pm 30%	150(120)	1.80	1.55	3R3
SDS4D15-3R9N-LF	3.9 \pm 30%	168(135)	1.60	1.45	3R9
SDS4D15-4R7N-LF	4.7 \pm 30%	187(150)	1.50	1.35	4R7
SDS4D15-5R6N-LF	5.6 \pm 30%	212(170)	1.40	1.25	5R6
SDS4D15-6R8N-LF	6.8 \pm 30%	230(185)	1.30	1.15	6R8
SDS4D15-8R2N-LF	8.2 \pm 30%	250(200)	1.20	1.05	8R2
SDS4D15-100M-LF	10 \pm 20%	312(250)	1.00	0.95	100
SDS4D15-120M-LF	12 \pm 20%	356(285)	0.85	0.85	120
SDS4D15-150M-LF	15 \pm 20%	475(380)	0.80	0.80	150
SDS4D15-180M-LF	18 \pm 20%	618(495)	0.75	0.70	180
SDS4D15-220M-LF	22 \pm 20%	692(554)	0.65	0.65	220
SDS4D15-270M-LF	27 \pm 20%	980(785)	0.60	0.55	270
SDS4D15-330M-LF	33 \pm 20%	1068(855)	0.55	0.50	330
SDS4D15-390M-LF	39 \pm 20%	1200(960)	0.50	0.45	390
SDS4D15-470M-LF	47 \pm 20%	1710(1370)	0.45	0.42	470

- Inductance tested at 100 kHz, 0.1 Vrms, 0 Adc using an Agilent/HP 4263B LCR meter or equivalent.
- Isat : DC current at which the inductance drops 30% (typ) from its value without current.
- Irms: The actual current when temperature of coil becomes Δ 40°C . (Ta=+25°C)
- Operating temperature range -40°C to +125°C , Electrical specifications at 25°C.
 Packing : 13" reel, machine-ready ,embossed plastic tape (3,000 parts per full reel).