



# SDS4018HP SERIES ~



RoHS Compliant

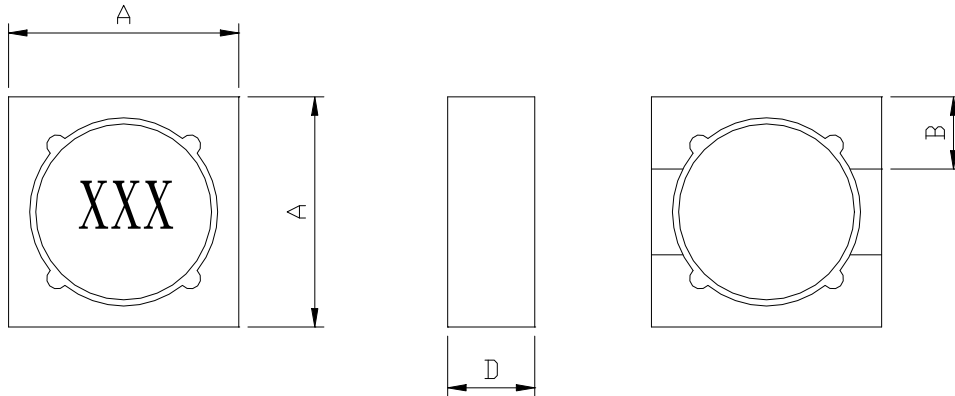
## Low Profile Shielded Power Inductors

### PART NUMBERING SYSTEM

|            |               |   |             |   |           |
|------------|---------------|---|-------------|---|-----------|
| <u>SDS</u> | <u>4018HP</u> | — | <u>6R8M</u> | — | <u>LF</u> |
| TYPE       | DIMENSIONS    |   | INDUCTANCE  |   | LEAD FREE |

### SHAPES AND DIMENSIONS

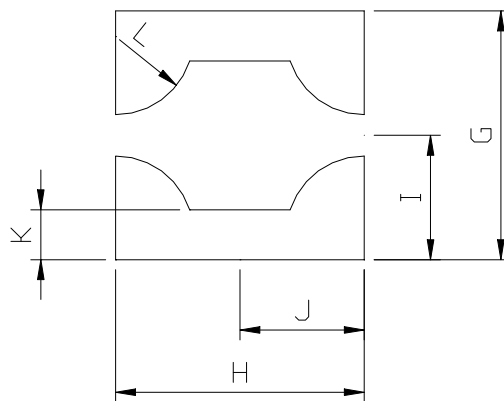
UNIT : mm



A=4.1 Max. B=1.3 Typ. D=1.8 Max

### RECOMMENDED PATTERNS

UNIT : mm



G=4.30 H=4.30 I=2.15 J=2.15 K=0.7 L=1.25



**Coilmaster Electronics Co., Ltd.**

9F-3 No.398, Huan Bei Rd. Chung Li City, Taoyuan 320, Taiwan  
Tel : +886-3-422-8279 Fax : +886-3-422-8734

E-mail : [info@coilmaster.com.tw](mailto:info@coilmaster.com.tw)

Web Site : [www.coilmaster.com.tw](http://www.coilmaster.com.tw)

## SDS4018HP SERIES ~

### Low Profile Shielded Power Inductors



RoHS Compliant

#### SPECIFICATION TABLE

| PART NUMBER       | INDUCTANCE<br>( $\mu$ H) | DCR ( $\Omega$ )<br>(Max.) | Isat ( A ) | Irms ( A ) | TEST FREQ.<br>( f ) |
|-------------------|--------------------------|----------------------------|------------|------------|---------------------|
| SDS4018HP-R56N-LF | 0.56 $\pm$ 30%           | 0.030                      | 4.80       | 2.80       | 100KHz/0.1V         |
| SDS4018HP-1R0N-LF | 1.00 $\pm$ 30%           | 0.040                      | 3.40       | 2.70       | 100KHz/0.1V         |
| SDS4018HP-2R2M-LF | 2.20 $\pm$ 20%           | 0.070                      | 2.50       | 2.30       | 100KHz/0.1V         |
| SDS4018HP-3R3M-LF | 3.30 $\pm$ 20%           | 0.080                      | 2.20       | 2.00       | 100KHz/0.1V         |
| SDS4018HP-4R7M-LF | 4.70 $\pm$ 20%           | 0.125                      | 1.60       | 1.80       | 100KHz/0.1V         |
| SDS4018HP-6R8M-LF | 6.80 $\pm$ 20%           | 0.150                      | 1.20       | 1.50       | 100KHz/0.1V         |
| SDS4018HP-100M-LF | 10 $\pm$ 20%             | 0.200                      | 1.10       | 1.25       | 100KHz/0.1V         |
| SDS4018HP-150M-LF | 15 $\pm$ 20%             | 0.260                      | 0.86       | 1.12       | 100KHz/0.1V         |
| SDS4018HP-150M-LF | 18 $\pm$ 20%             | 0.270                      | 0.78       | 1.00       | 100KHz/0.1V         |
| SDS4018HP-220M-LF | 22 $\pm$ 20%             | 0.360                      | 0.70       | 0.90       | 100KHz/0.1V         |
| SDS4018HP-330M-LF | 33 $\pm$ 20%             | 0.420                      | 0.58       | 0.80       | 100KHz/0.1V         |
| SDS4018HP-470M-LF | 47 $\pm$ 20%             | 0.650                      | 0.50       | 0.68       | 100KHz/0.1V         |
| SDS4018HP-680M-LF | 68 $\pm$ 20%             | 0.950                      | 0.41       | 0.56       | 100KHz/0.1V         |
| SDS4018HP-101M-LF | 100 $\pm$ 20%            | 1.400                      | 0.34       | 0.50       | 100KHz/0.1V         |
| SDS4018HP-121M-LF | 120 $\pm$ 20%            | 1.600                      | 0.31       | 0.45       | 100KHz/0.1V         |
| SDS4018HP-151M-LF | 150 $\pm$ 20%            | 2.000                      | 0.27       | 0.40       | 100KHz/0.1V         |
| SDS4018HP-181M-LF | 180 $\pm$ 20%            | 2.500                      | 0.24       | 0.36       | 100KHz/0.1V         |
| SDS4018HP-221M-LF | 220 $\pm$ 20%            | 3.700                      | 0.22       | 0.30       | 100KHz/0.1V         |
| SDS4018HP-331M-LF | 330 $\pm$ 20%            | 5.900                      | 0.17       | 0.23       | 100KHz/0.1V         |
| SDS4018HP-471M-LF | 470 $\pm$ 20%            | 7.100                      | 0.14       | 0.20       | 100KHz/0.1V         |
| SDS4018HP-561M-LF | 560 $\pm$ 20%            | 10.00                      | 0.13       | 0.18       | 100KHz/0.1V         |
| SDS4018HP-681M-LF | 680 $\pm$ 20%            | 11.50                      | 0.11       | 0.16       | 100KHz/0.1V         |
| SDS4018HP-821M-LF | 820 $\pm$ 20%            | 14.00                      | 0.11       | 0.14       | 100KHz/0.1V         |
| SDS4018HP-102M-LF | 1000 $\pm$ 20%           | 16.50                      | 0.10       | 0.125      | 100KHz/0.1V         |
| SDS4018HP-152M-LF | 1500 $\pm$ 20%           | 25.00                      | 0.095      | 0.118      | 100KHz/0.1V         |
| SDS4018HP-182M-LF | 1800 $\pm$ 20%           | 31.50                      | 0.090      | 0.110      | 100KHz/0.1V         |
| SDS4018HP-222M-LF | 2200 $\pm$ 20%           | 32.50                      | 0.086      | 0.105      | 100KHz/0.1V         |
| SDS4018HP-332M-LF | 3300 $\pm$ 20%           | 48.00                      | 0.080      | 0.100      | 100KHz/0.1V         |

※ Isat: DC current at which the inductance drops 30% (typ) from its value without current.

※ Storage and ambient operating temperature range -40°C to +125°C. Electrical specifications at 25°C .



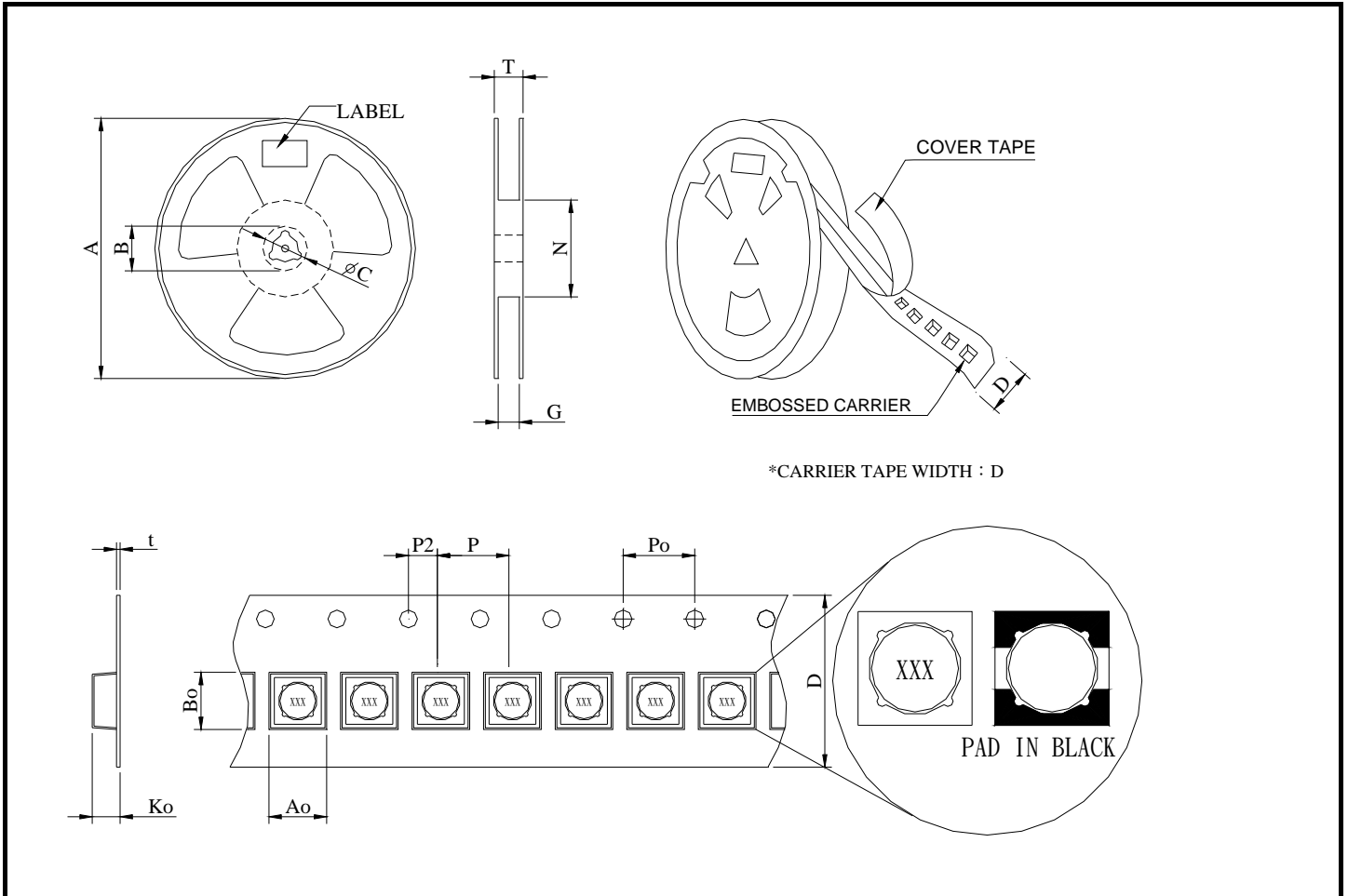
# SDS4018HP SERIES ~

## Low Profile Shielded Power Inductors



RoHS Compliant

### PACKAGING SPECIFICATION



| STAYLE | DIMENSIONS (m/m) |     |   |   |         |   |   |   |      |      |     |      |   |    |         |
|--------|------------------|-----|---|---|---------|---|---|---|------|------|-----|------|---|----|---------|
|        | Q'TY (PCS)       | A   | B | C | D       | G | N | T | Ao   | Bo   | Ko  | t    | P | Po | P2      |
| 13"    | 2,000            | 330 | — | — | 12 ±0.3 | — | — | — | 5.45 | 5.45 | 2.2 | 0.35 | 8 | 4  | 2 ±0.02 |