



SDS4011HP SERIES ~



RoHS Compliant

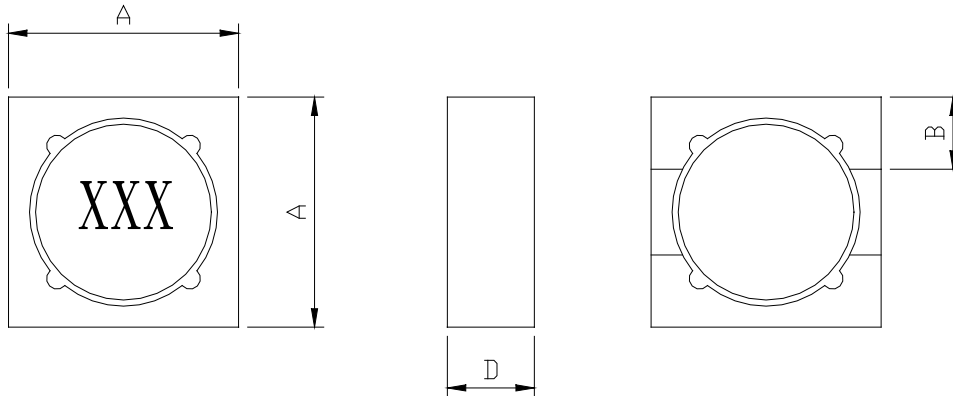
Low Profile Shielded Power Inductors

PART NUMBERING SYSTEM

<u>SDS</u>	<u>4011HP</u>	—	<u>4R7N</u>	—	<u>LF</u>
TYPE	DIMENSIONS		INDUCTANCE		LEAD FREE

SHAPES AND DIMENSIONS

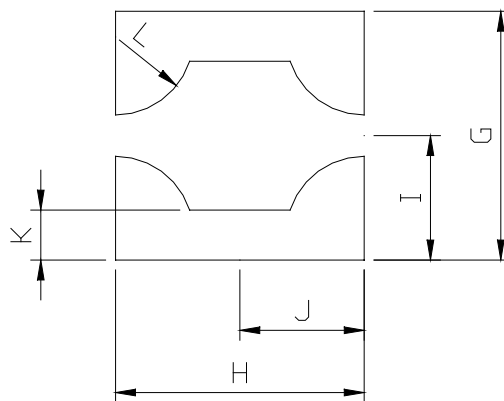
UNIT : mm



A=4.1 Max. B=1.3 Typ. D=1.3 Max

RECOMMENDED PATTERNS

UNIT : mm



G=4.30 H=4.30 I=2.15 J=2.15 K=0.7 L=1.25



SDS4011HP SERIES ~



RoHS Compliant

Low Profile Shielded Power Inductors

SPECIFICATION TABLE

PART NUMBER	INDUCTANCE (μ H)	DCR (m Ω) (Max.)	Isat (A)	Irms (A)	Marking
SDS4011HP-1R5N-LF	1.50 \pm 30%	88	1.80	1.90	A
SDS4011HP-2R2N-LF	2.20 \pm 30%	135	1.60	1.60	B
SDS4011HP-3R3N-LF	3.30 \pm 30%	170	1.40	1.40	C
SDS4011HP-4R7N-LF	4.70 \pm 30%	240	1.15	1.20	D
SDS4011HP-6R8N-LF	6.80 \pm 30%	340	0.97	1.00	E
SDS4011HP-100N-LF	10.0 \pm 30%	520	0.70	0.80	F
SDS4011HP-150N-LF	15.0 \pm 30%	900	0.62	0.65	G
SDS4011HP-220N-LF	22.0 \pm 30%	1450	0.50	0.54	H
SDS4011HP-330N-LF	33.0 \pm 30%	1900	0.38	0.55	I
SDS4011HP-470N-LF	47.0 \pm 30%	1950	0.30	0.35	J

- ※ Test Frequency : 100KHz/0.1Vrms.
- ※ Inductance measured using a Coilmaster SMD fixture in an Agilent/HP 4284A or equivalent.
- ※ Isat: DC current at which the inductance drops 35% (typ) from its value without current.
- ※ Irms: Average current for 30°C (max) rise from +25°C ambient.
- ※ Storage and ambient operating temperature range -40°C to +125°C.
- ※ Electrical specifications at 25°C.



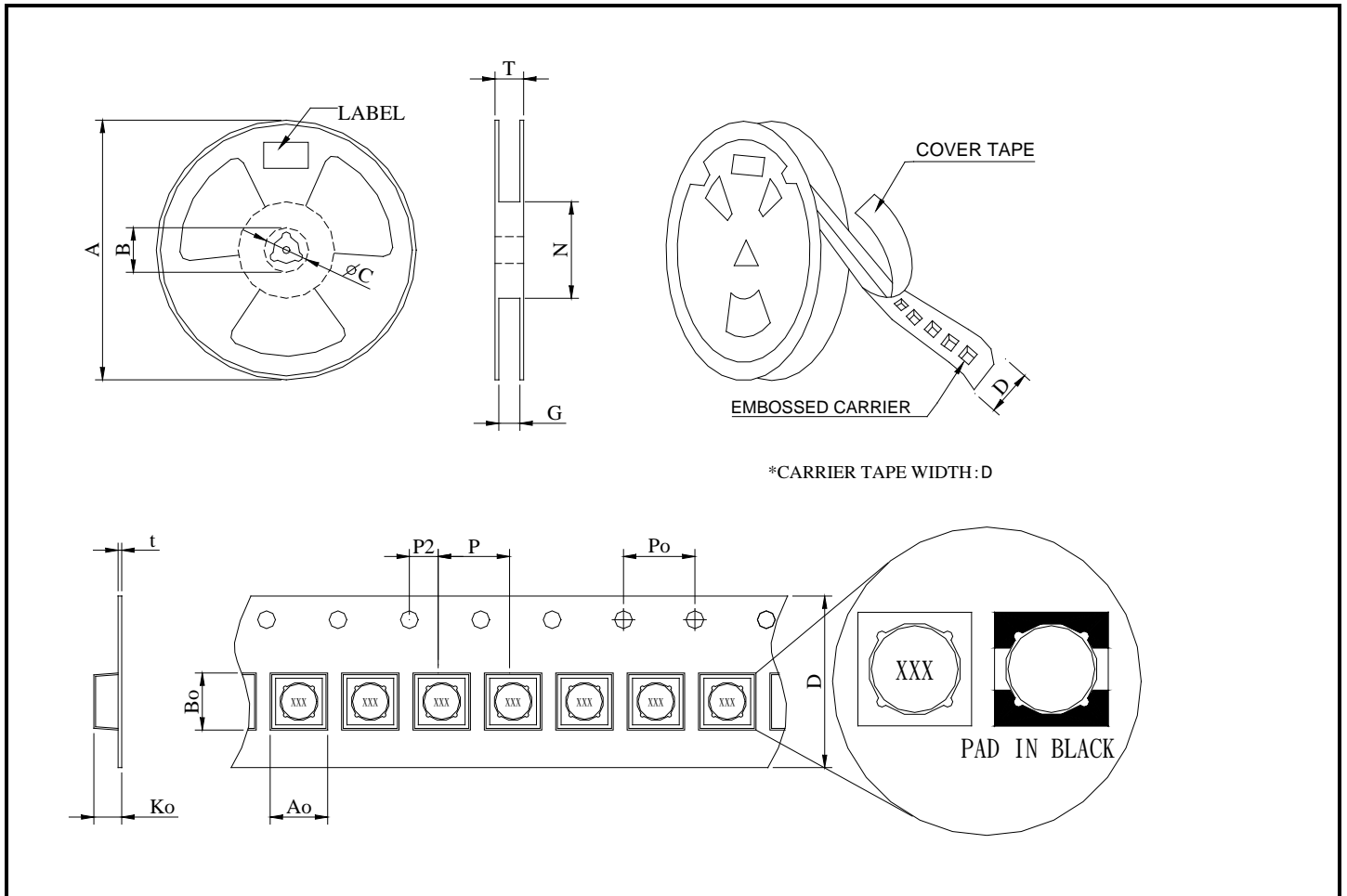
SDS4011HP SERIES ~

Low Profile Shielded Power Inductors



RoHS Compliant

PACKAGING SPECIFICATION



*CARRIER TAPE WIDTH: D

STAYLE	DIMENSIONS (m/m)														
	Q'TY (PCS)	A	B	C	D	G	N	T	Ao	Bo	Ko	t	P	Po	P2
13"	3,500	330	—	—	12 ±0.3	—	—	—	4.55	4.55	1.7	0.23	8	4	2