



## SDS1507 SERIES ~ SMD Shielded Power Inductors

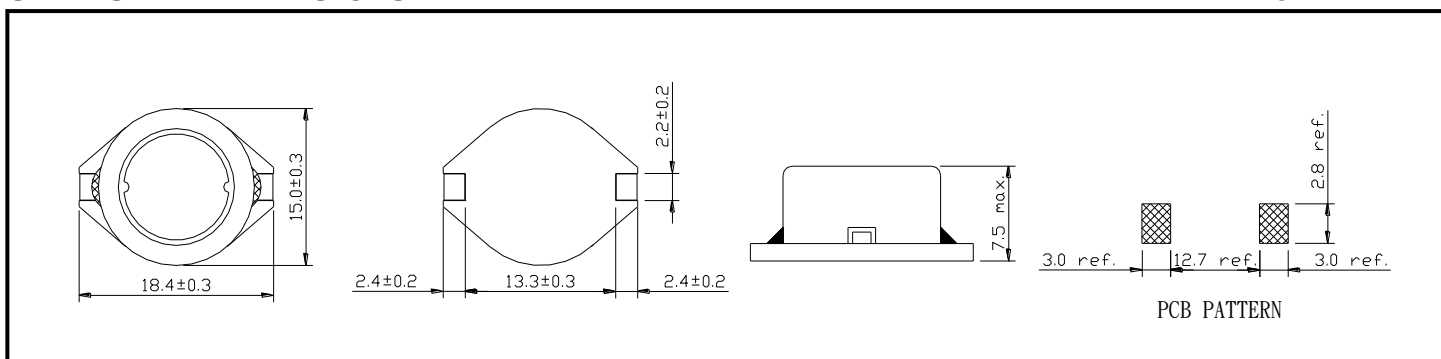


### PART NUMBERING SYSTEM

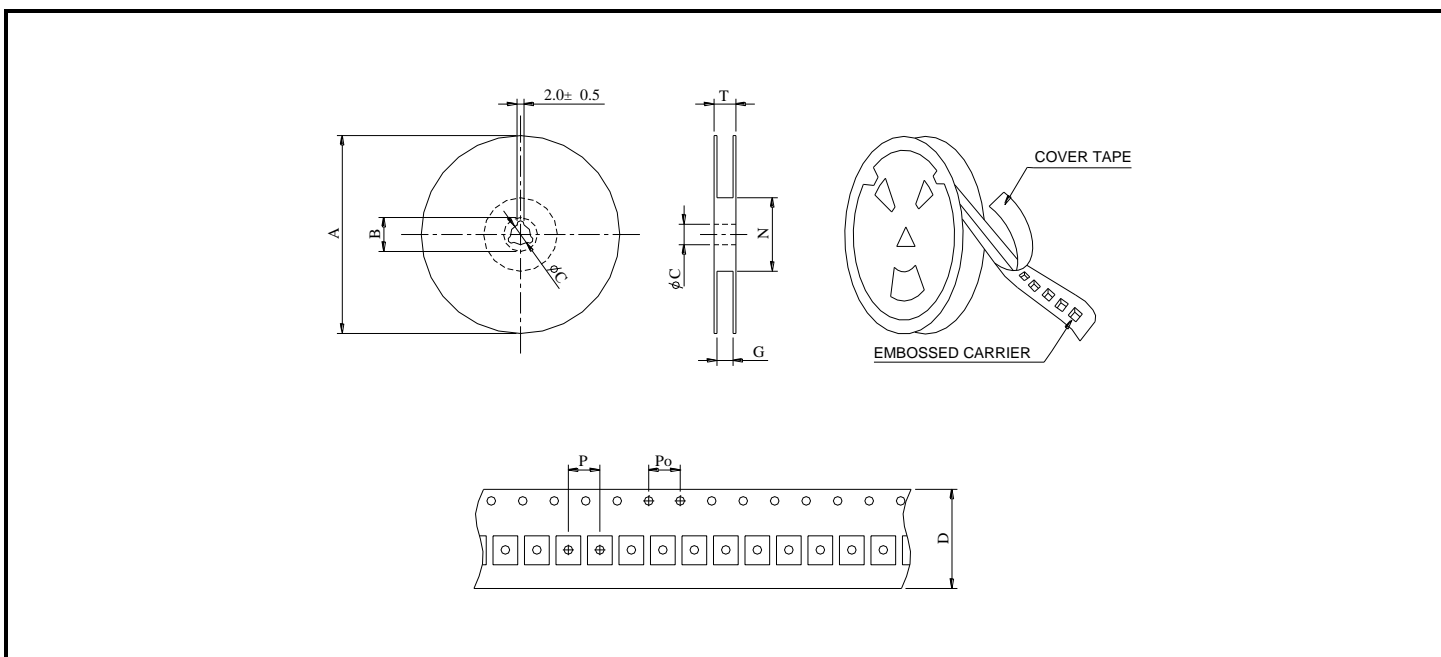
<b>SDS</b>	<b>1507</b>	—	<b>330M</b>	—	<b>LF</b>
TYPE	DIMENSIONS		INDUCTANCE		LEAD FREE

### SHAPES AND DIMENSIONS

UNIT : mm



### PACKAGING SPECIFICATION



SERIES	STAYLE	Q' TY (PCS)	DIMENSIONS (m/m)								
			A	B±0.8	C±0.5	D	G <sup>+0</sup>	N <sup>0</sup>	P	Po	T
SDS1507	13-32	250	330	21	13	32	34	100	20	4	38.4



## SDS1507 SERIES ~ SMD Shielded Power Inductors



### SPECIFICATION TABLE

PART NUMBER	INDUCTANCE ( $\mu$ H)	DCR ( $\Omega$ ) (Max.)	IDC (A) (Max.)	TEST FREQ. ( f )
SDS1507-100M-LF	10 $\pm$ 20%	0.030	4.00	1KHz
SDS1507-150M-LF	15 $\pm$ 20%	0.035	3.60	1KHz
SDS1507-220M-LF	22 $\pm$ 20%	0.045	3.15	1KHz
SDS1507-330M-LF	33 $\pm$ 20%	0.060	2.80	1KHz
SDS1507-470M-LF	47 $\pm$ 20%	0.080	2.45	1KHz
SDS1507-680M-LF	68 $\pm$ 20%	0.115	2.00	1KHz
SDS1507-101M-LF	100 $\pm$ 20%	0.180	1.70	1KHz
SDS1507-151M-LF	150 $\pm$ 20%	0.220	1.35	1KHz
SDS1507-221M-LF	220 $\pm$ 20%	0.320	1.15	1KHz
SDS1507-331M-LF	330 $\pm$ 20%	0.500	0.90	1KHz
SDS1507-471M-LF	470 $\pm$ 20%	0.750	0.75	1KHz
SDS1507-681M-LF	680 $\pm$ 20%	1.100	0.65	1KHz
SDS1507-102M-LF	1000 $\pm$ 20%	1.500	0.55	1KHz

- DC current at which the inductance drops 10% (typ) from its value without current.
- Operating temperature range -40°C to +125°C .
- Electrical specifications at 25°C .