

SD03340 SERIES ~ SMD Power Inductors

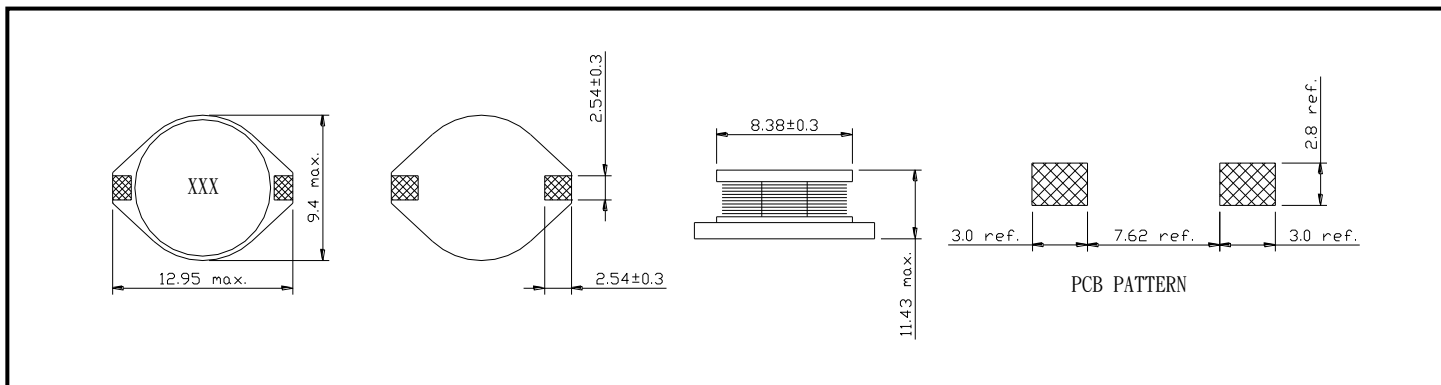


PART NUMBERING SYSTEM

SDO	3340	—	100M	—	LF
TYPE	DIMENSIONS		INDUCTANCE		LEAD FREE

SHAPES AND DIMENSIONS

UNIT : mm



FEATURES

- Excellent current carrying capabilities **up to 3.5 Arms with an 8 A saturation current**
- Inductance ratings from 10 to 1000 μ H
- **Flat top** for reliable surface mounting
- **Robust temperature deflection** prevents damage during solder reflow
- Custom versions available
- **RoHS-compliant.** 260°C compatible. Gold over nickel over phos bronze terminations.



SDO3340 SERIES ~ SMD Power Inductors



SPECIFICATION TABLE

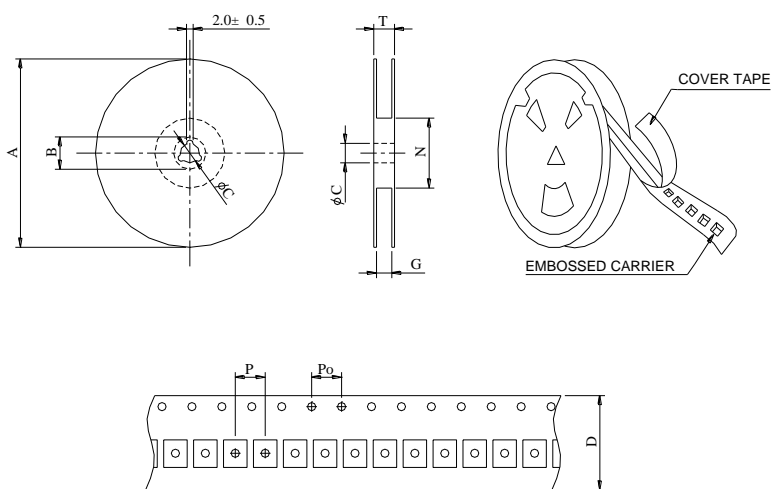
PART NUMBER	INDUCTANCE (μ H)	DCR (Ω) (Max.)	Isat (A) (Max.)	Irms (A) (Max.)	SRF(MHz) (Ref.)
SDO3340-100M-LF	10 \pm 20%	0.040	8.00	3.50	22
SDO3340-150M-LF	15 \pm 20%	0.050	7.00	3.00	18
SDO3340-220M-LF	22 \pm 20%	0.066	5.50	2.50	11
SDO3340-330M-LF	33 \pm 20%	0.080	4.00	2.00	9
SDO3340-470M-LF	47 \pm 20%	0.110	3.80	1.60	8
SDO3340-680M-LF	68 \pm 20%	0.170	3.00	1.20	7
SDO3340-101M-LF	100 \pm 20%	0.220	2.50	1.20	5
SDO3340-151M-LF	150 \pm 20%	0.340	2.00	0.90	4
SDO3340-221M-LF	220 \pm 20%	0.440	1.60	0.70	3.5
SDO3340-331M-LF	330 \pm 20%	0.700	1.20	0.60	2.5
SDO3340-471M-LF	470 \pm 20%	0.950	1.00	0.30	2.0
SDO3340-681M-LF	680 \pm 20%	1.200	1.00	0.20	2.0
SDO3340-102M-LF	1000 \pm 20%	2.000	0.80	0.10	1.5

1. Inductance is measured with a LCR meter 4284A or equivalent.
2. Inductance drop=10% typ. at rated current.
3. Operating temperature range -40 $^{\circ}$ C to +125 $^{\circ}$ C
4. Electrical specifications at 25 $^{\circ}$ C

SDO3340 SERIES ~ SMD Power Inductors



PACKAGING SPECIFICATION



SERIES	STAYLE	Q'TY (PCS)	DIMENSIONS (m/m)								
			A	B±0.8	C±0.5	D	G ⁺⁰	N ⁰	P	Po	T
SDO3340	13-32	225	330	21	13	32	34	100	20	4	38.4