



SDO3308 SERIES ~ SMD Power Inductors

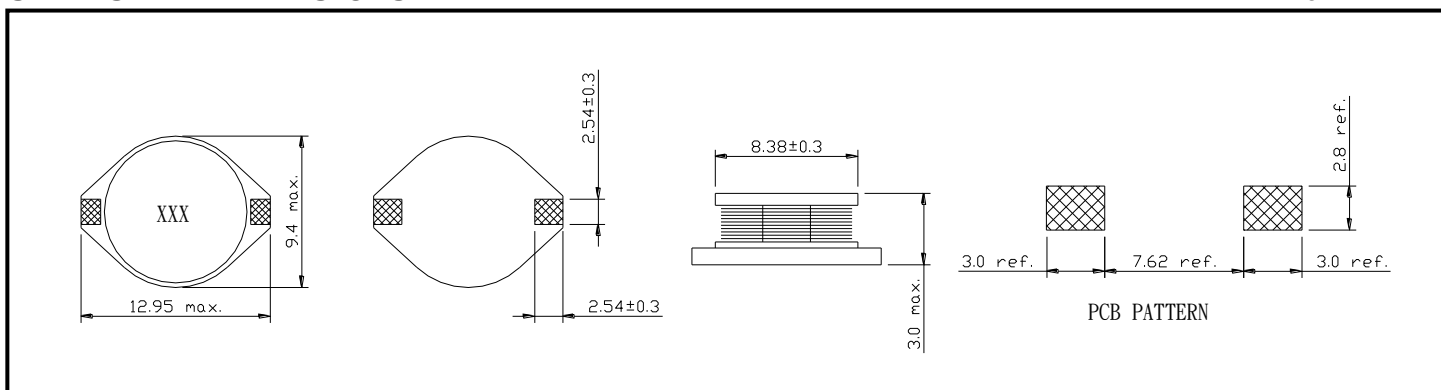


PART NUMBERING SYSTEM

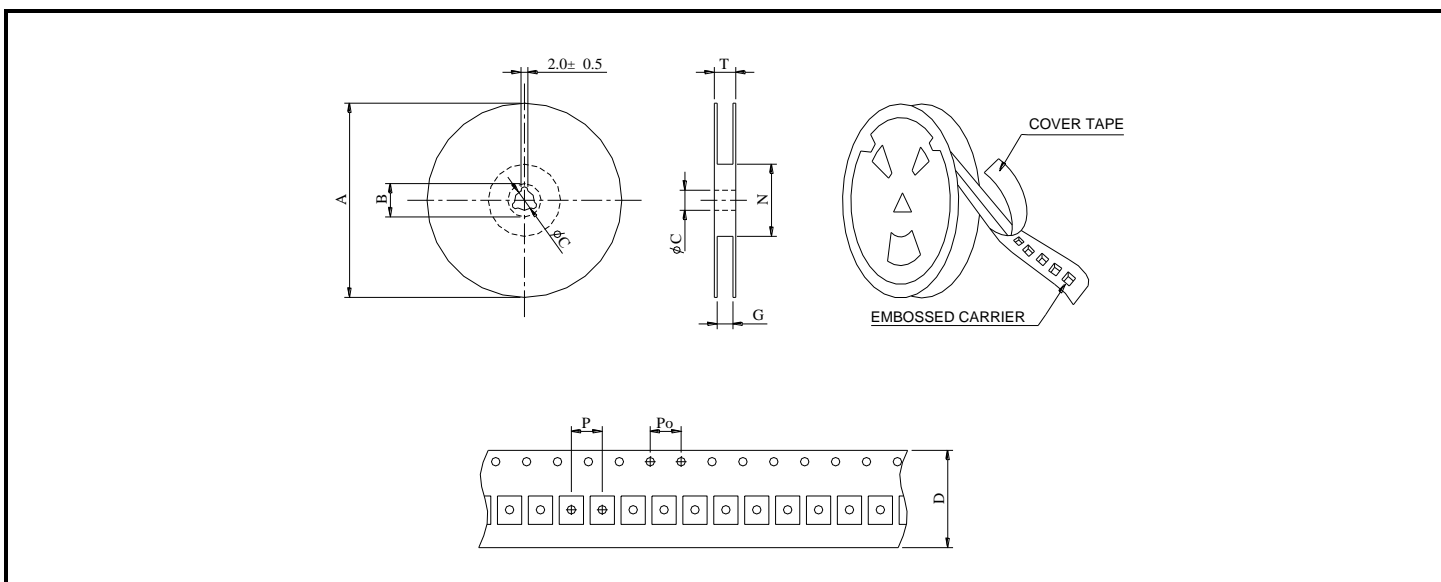
| | | | | | |
|------------|-------------|---|-------------|---|-----------|
| SDO | 3308 | — | 100M | — | LF |
| TYPE | DIMENSIONS | | INDUCTANCE | | LEAD FREE |

SHAPES AND DIMENSIONS

UNIT : mm



PACKAGING SPECIFICATION



| SERIES | STAYLE | Q'TY (PCS) | DIMENSIONS (m/m) | | | | | | | | |
|---------|--------|------------|------------------|-------|-------|----|-----------------|----------------|----|----|------|
| | | | A | B±0.8 | C±0.5 | D | G ⁺⁰ | N ⁰ | P | Po | T |
| SDO3308 | 13-24 | 1000 | 330 | 21 | 13 | 24 | 26 | 50 | 16 | 4 | 30.4 |

SDO3308 SERIES ~ SMD Power Inductors



SPECIFICATION TABLE

| PART NUMBER | INDUCTANCE (μ H) | DCR (Ω) (Max.) | Isat (A) (Max.) | Irms (A) (Max.) | SRF(MHz) (Ref.) |
|-----------------|--------------------------|----------------------------|----------------------|----------------------|--------------------|
| SDO3308-4R7M-LF | 4.7 \pm 20% | 0.036 | 4.2 | 3.2 | 50 |
| SDO3308-6R8M-LF | 6.8 \pm 20% | 0.060 | 3.9 | 2.6 | 47 |
| SDO3308-100M-LF | 10 \pm 20% | 0.085 | 2.7 | 2.3 | 37 |
| SDO3308-150M-LF | 15 \pm 20% | 0.12 | 2.3 | 1.9 | 35 |
| SDO3308-220M-LF | 22 \pm 20% | 0.18 | 1.8 | 1.5 | 26 |
| SDO3308-330M-LF | 33 \pm 20% | 0.25 | 1.6 | 1.2 | 19 |
| SDO3308-470M-LF | 47 \pm 20% | 0.32 | 1.3 | 1.0 | 14 |
| SDO3308-680M-LF | 68 \pm 20% | 0.54 | 1.1 | 0.90 | 12 |
| SDO3308-101M-LF | 100 \pm 20% | 0.69 | 0.87 | 0.73 | 11 |
| SDO3308-151M-LF | 150 \pm 20% | 0.94 | 0.74 | 0.62 | 9.0 |
| SDO3308-221M-LF | 220 \pm 20% | 1.60 | 0.56 | 0.51 | 6.0 |
| SDO3308-331M-LF | 330 \pm 20% | 2.15 | 0.50 | 0.40 | 5.5 |
| SDO3308-471M-LF | 470 \pm 20% | 3.30 | 0.40 | 0.33 | 4.5 |
| SDO3308-681M-LF | 680 \pm 20% | 4.40 | 0.33 | 0.28 | 3.5 |
| SDO3308-102M-LF | 1000 \pm 20% | 7.00 | 0.29 | 0.23 | 2.5 |

1. Inductance is measured with a LCR meter 4284A or equivalent.
2. Inductance drop=10% typ. at rated current.
3. Operating temperature range -40 $^{\circ}$ C to +125 $^{\circ}$ C
4. Electrical specifications at 25 $^{\circ}$ C