

## SDH5040 SERIES ~ SMD Power Inductors

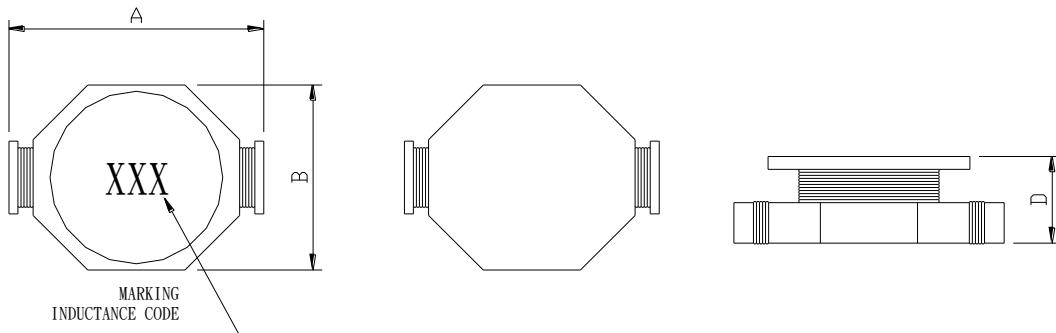


### PART NUMBERING SYSTEM

<b>SDO</b>	<b>5040</b>	—	<b>100M</b>	—	<b>LF</b>
TYPE	DIMENSIONS		INDUCTANCE		LEAD FREE

### SHAPES AND DIMENSIONS

UNIT : mm



A=22.35 Max. B=16.26 Max. D=12.0Max.

### Description

- Height : 12.0mm Max.
- Inductance range from 2.8 uH to 12 uH
- Current range from 33.4 A to 15.9 A
- Suitable for large current
- Ideal for DC-DC converter inductor applications

### Environmental Data

- Operating temperature range : - 40°C to +125°C ( Range in application specific )

## SDH5040 SERIES ~ SMD Power Inductors

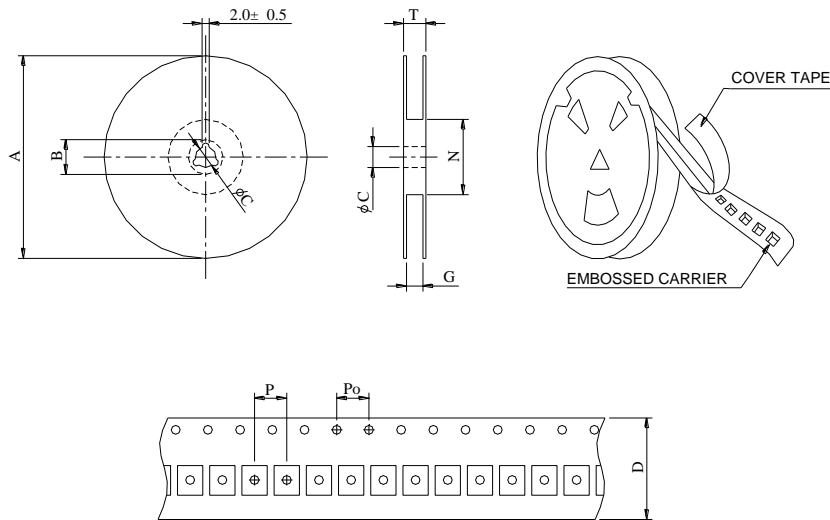


### SPECIFICATION TABLE

PART NUMBER	INDUCTANCE ( $\mu$ H)	DCR(m $\Omega$ ) (Max.)	Isat ( A ) (Max.)	Irms ( A ) (Max.)	SRF(MHz) (Ref.)
SDH5040-2R8M-LF	2.8 $\pm$ 20%	5.2	33.4	12.1	65
SDH5040-3R9M-LF	3.9 $\pm$ 20%	6.0	26.8	11.2	40
SDH5040-6R8M-LF	6.8 $\pm$ 20%	9.0	22.5	9.60	30
SDH5040-100M-LF	10 $\pm$ 20%	11	17.8	8.60	22
SDH5040-120M-LF	12 $\pm$ 20%	13	15.9	7.40	21

- Isat : DC current at which the inductance drops 10% (typ) from its value without current.
- Electrical specifications at 25°C
- Operating temperature range : - 40°C to +125°C

### PACKAGING SPECIFICATION



SERIES	STAYLE	Q'TY (PCS)	DIMENSIONS (m/m)								
			A	B $\pm$ 0.8	C $\pm$ 0.5	D	G <sup>+0</sup>	N <sup>0</sup>	P	Po	T
SDH5040	13-32	175	330	21	13	32	34	100	20	4	38.4