

## SDH1813 SERIES ~ SMD Power Inductors

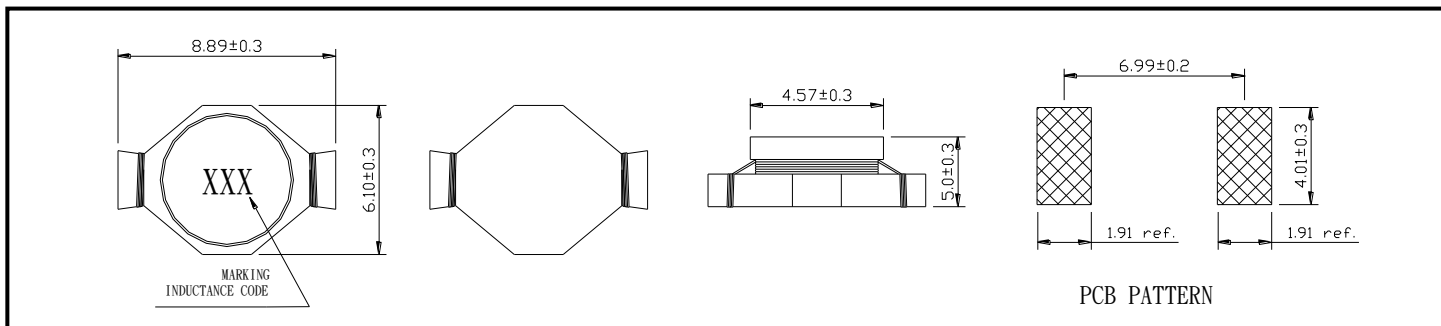


### PART NUMBERING SYSTEM

<b>SDH</b>	<b>1813</b>	—	<b>R56M</b>	—	<b>LF</b>
TYPE	DIMENSIONS		INDUCTANCE		LEAD FREE

### SHAPES AND DIMENSIONS

UNIT : mm



### SPECIFICATION TABLE

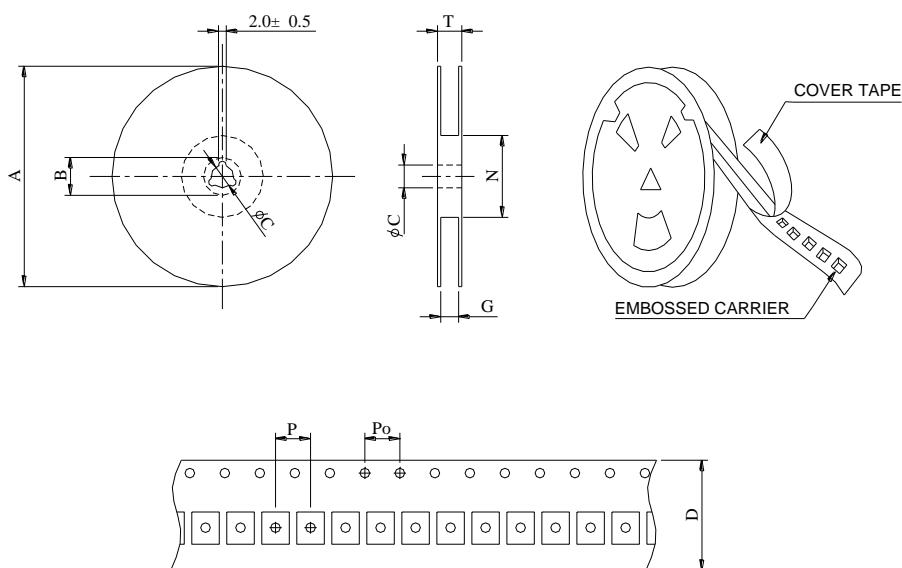
PART NUMBER	INDUCTANCE ( $\mu$ H)	DCR( $\Omega$ ) (Max.)	Isat ( A ) (Max.)	Irms ( A ) (Max.)	SRF(MHz) (Ref.)
SDH1813-R18M-LF	0.18±20%	0.003	14.0	10.0	800
SDH1813-R33M-LF	0.33±20%	0.004	10.0	7.00	600
SDH1813-R56M-LF	0.56±20%	0.010	7.70	6.00	200
SDH1813-1R2M-LF	1.2±20%	0.017	5.30	4.40	140
SDH1813-2R2M-LF	2.2±20%	0.035	3.50	3.10	100
SDH1813-3R3M-LF	3.3±20%	0.040	3.00	2.70	80
SDH1813-4R7M-LF	4.7±20%	0.054	2.60	2.20	50
SDH1813-6R8M-LF	6.8±20%	0.080	2.20	1.80	45
SDH1813-8R2M-LF	8.2±20%	0.092	2.00	1.60	42
SDH1813-100M-LF	10±20%	0.111	1.90	1.50	40
SDH1813-150M-LF	15±20%	0.170	1.50	1.20	30
SDH1813-220M-LF	22±20%	0.250	1.20	1.00	25
SDH1813-330M-LF	33±20%	0.350	0.99	0.82	20
SDH1813-470M-LF	47±20%	0.470	0.87	0.72	15

- DC current at which the inductance drops 10% (typ) from its value without current.
- Operating temperature range -55°C to +125°C .
- Electrical specifications at 25°C.

## SDH1813 SERIES ~ SMD Power Inductors



### PACKAGING SPECIFICATION



SERIES	STAYLE	Q'TY (PCS)	DIMENSIONS (m/m)								
			A	B±0.8	C±0.5	D	G <sup>+0</sup>	N <sup>-0</sup>	P	Po	T
SDH1813	13-16	1000	330	21	13	16	18	50	12	4	22.4

### FEATURES

- Small high current inductor - **only 0.24" x 0.35" x 0.197" high**
- Very high current ratings - **up to 10 A rms; 14.0 A saturating current**
- **Exceptionally low DC resistance** thanks to the use of heavier gauge wire
- **Flat top and self-leaded design** for reliable surface mounting
- **Robust temperature deflection** prevents damage during solder reflow
- Custom versions available
- **RoHS-compliant.** 260°C compatible