



SDC8D38 SERIES~ SMD Shielded Power Inductors

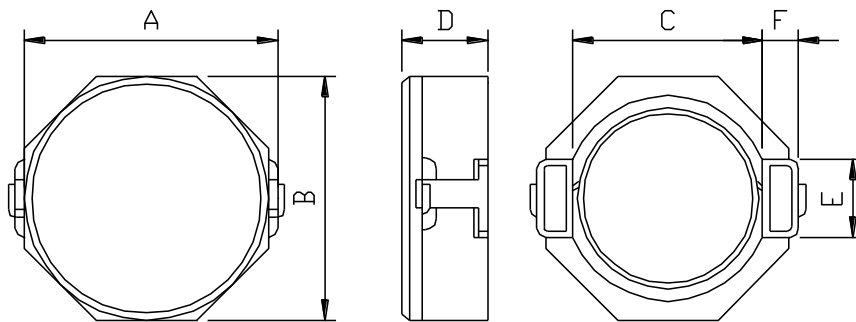


PART NUMBERING SYSTEM

SDC	8D38	—	4R7N	—	LF
TYPE	DIMENSIONS		INDUCTANCE		LEAD FREE

SHAPES AND DIMENSIONS

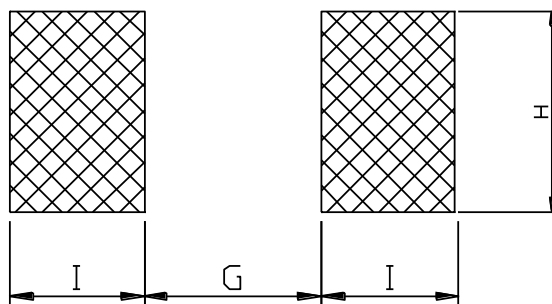
UNIT : mm



A=8.3 max. B=8.3 max. C=6.3 REF D=4.0 max. E=2.5 REF F=1.2 REF

RECOMMENDED PATTERNS

UNIT : mm



H= 2.80 G= 6.10 I= 2.00 J=2.00

FEATURES

- Low profile (4.00mm max. height) and 8.3mmx8.3mm max. square.
- Magnetically shielded and low DC resistance .
- Ideal for a variety of DC-DC converter inductor , LCD panels , DVD players Computer and portable power devices applications .

SDC8D38 SERIES~ SMD Shielded Power Inductors

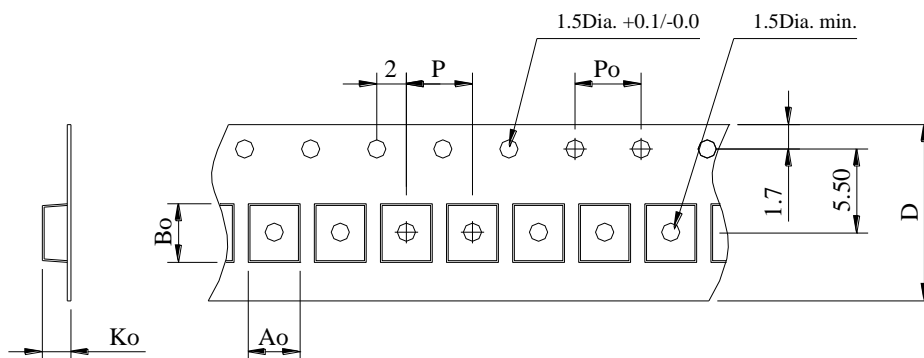


ELECTRICAL CHARACTERISTICS :

PART NUMBER	INDUCTANCE (μ H)	DCR (m Ω) (Max.)	Isat (A) (Max.)	Irms (A) (Max.)	TEST FREQ. (f)
SDC8D38-1R8N-LF	1.8 \pm 30%	15.6	7.00	6.80	100KHz
SDC8D38-2R5N-LF	2.5 \pm 30%	17.5	6.50	6.00	100KHz
SDC8D38-3R5N-LF	3.5 \pm 30%	24.0	5.00	5.20	100KHz
SDC8D38-4R7N-LF	4.7 \pm 30%	29.0	4.60	4.40	100KHz
SDC8D38-6R0N-LF	6.0 \pm 30%	32.0	4.20	4.00	100KHz
SDC8D38-100N-LF	10 \pm 30%	48.0	3.00	3.20	100KHz
SDC8D38-150N-LF	15 \pm 30%	67.0	2.75	2.50	100KHz
SDC8D38-220N-LF	22 \pm 30%	105	2.30	2.00	100KHz
SDC8D38-330N-LF	33 \pm 30%	157	1.75	1.60	100KHz
SDC8D38-470N-LF	47 \pm 30%	189	1.52	1.42	100KHz
SDC8D38-680N-LF	68 \pm 30%	290	1.30	1.08	100KHz
SDC8D38-101N-LF	100 \pm 30%	410	1.05	0.88	100KHz

- Isat : DC current at which the inductance drops 35% (typ) from its value without current.
- Iirms: The actual current when temperature of coil becomes $\Delta 40^{\circ}\text{C}$. ($T_a = +25^{\circ}\text{C}$)
- Operating temperature range -40°C to $+125^{\circ}\text{C}$, Electrical specifications at 25°C .

PACKAGING SPECIFICATION



STAYLE	Q' TY (PCS)	DIMENSIONS (m/m)					
		Ao	Bo	Ko	P	Po	D \pm 0.3
13-16	1000	10.5	8.2	4.7	16.0	4.00	16.0