



## SDC6D38 SERIES~ SMD Shielded Power Inductors

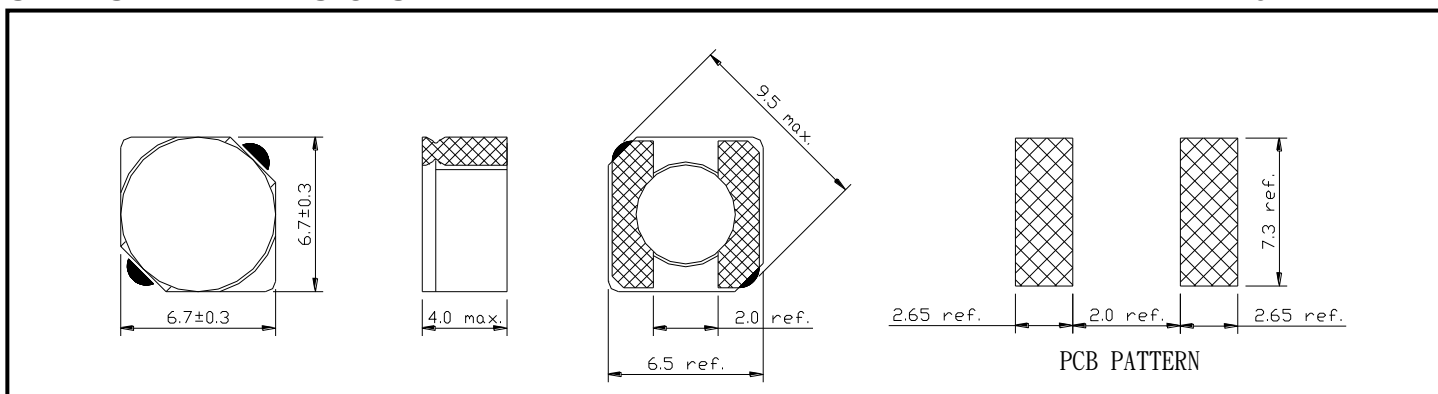


### PART NUMBERING SYSTEM

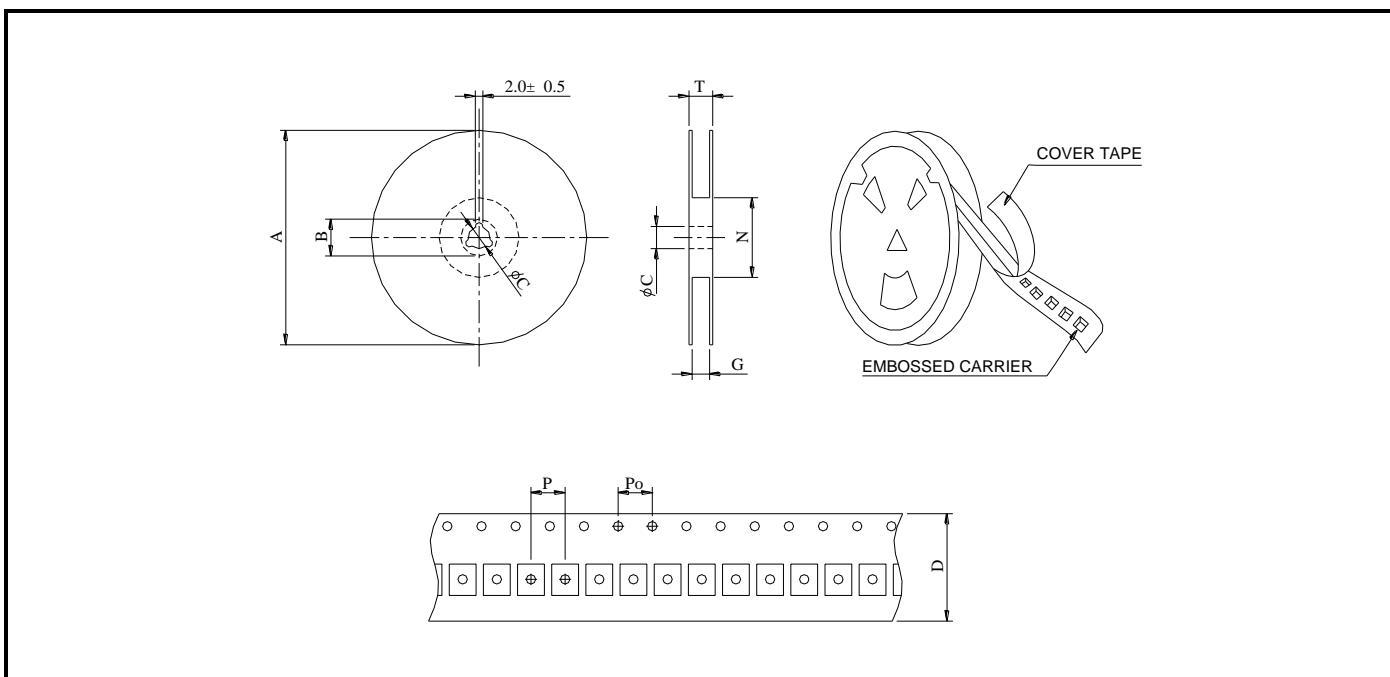
<b>SDC</b>	<b>6D38</b>	—	<b>7R4N</b>	—	<b>LF</b>
TYPE	DIMENSIONS		INDUCTANCE		LEAD FREE

### SHAPES AND DIMENSIONS

UNIT : mm



### PACKAGING SPECIFICATION



SERIES	STAYLE	Q'TY (PCS)	DIMENSIONS (m/m)								
			A	B±0.8	C±0.5	D	G <sup>+0</sup>	N <sup>0</sup>	P	Po	T
<b>SDC6D38</b>	13-16	1000	330	21	13	16	18	50	8	4	22.4

## SDC6D38 SERIES~ SMD Shielded Power Inductors



### SPECIFICATION TABLE

PART NUMBER	INDUCTANCE ( $\mu$ H)	DCR (m $\Omega$ ) (Max.)	IDC ( A )	TEST FREQ. ( f )
SDC6D38-3R3N-LF	3.3 $\pm$ 30%	20	3.50	10KHz
SDC6D38-5R0N-LF	5.0 $\pm$ 30%	24	2.90	10KHz
SDC6D38-6R2N-LF	6.2 $\pm$ 30%	27	2.50	10KHz
SDC6D38-7R4N-LF	7.4 $\pm$ 30%	31	2.30	10KHz
SDC6D38-8R7N-LF	8.7 $\pm$ 30%	34	2.20	10KHz
SDC6D38-100N-LF	10 $\pm$ 30%	38	2.00	10KHz
SDC6D38-120N-LF	12 $\pm$ 30%	53	1.70	10KHz
SDC6D38-150N-LF	15 $\pm$ 30%	57	1.60	10KHz
SDC6D38-180N-LF	18 $\pm$ 30%	92	1.50	10KHz
SDC6D38-220M-LF	22 $\pm$ 20%	96	1.30	10KHz
SDC6D38-270M-LF	27 $\pm$ 20%	109	1.20	10KHz
SDC6D38-330M-LF	33 $\pm$ 20%	124	1.10	10KHz
SDC6D38-390M-LF	39 $\pm$ 20%	138	1.00	10KHz
SDC6D38-470M-LF	47 $\pm$ 20%	155	0.95	10KHz
SDC6D38-560M-LF	56 $\pm$ 20%	202	0.85	10KHz
SDC6D38-680M-LF	68 $\pm$ 20%	234	0.75	10KHz
SDC6D38-820M-LF	82 $\pm$ 20%	324	0.70	10KHz
SDC6D38-101M-LF	100 $\pm$ 20%	358	0.65	10KHz

- Isat : DC current at which the inductance drops 35% (typ) from its value without current.
- Irms: The actual current when temperature of coil becomes  $\Delta 40^{\circ}\text{C}$  . (  $T_a = +25^{\circ}\text{C}$  )
- Operating temperature range  $-40^{\circ}\text{C}$  to  $+125^{\circ}\text{C}$  , Electrical specifications at  $25^{\circ}\text{C}$ .
- Packing : 13" reel, machine-ready ,embossed plastic tape ( 1,000 parts per full reel).