



## SDC5D28R SERIES~ SMD Shielded Power Inductors

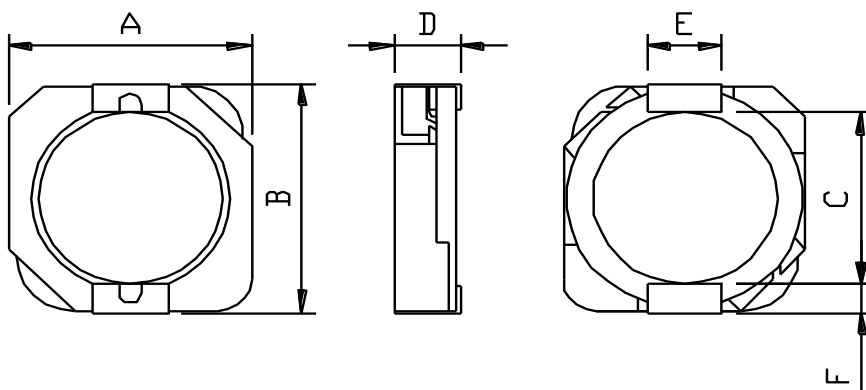


### PART NUMBERING SYSTEM

<b>SDC</b>	<b>5D28R</b>	—	<b>330N</b>	—	<b>LF</b>
TYPE	DIMENSIONS		INDUCTANCE		LEAD FREE

### SHAPES AND DIMENSIONS

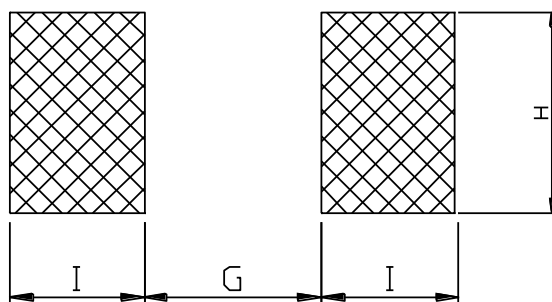
UNIT : mm



A=6.2 max. B=6.3 max. C=4.7 REF D=3.0 max. E=2.0 REF F=0.6 REF

### RECOMMENDED PATTERNS

UNIT : mm



H= 2.10 G= 4.60 I = 1.00

### FEATURES

- Low profile ( 3.00mm max. height ) and 6.2x6.3mm max. square.
- Ideal for a variety of DC-DC converter inductor , LCD panels , DVD players Co,puter and portable power devices applications .



## SDC5D28R SERIES~ SMD Shielded Power Inductors



### ELECTRICAL CHARACTERISTICS :

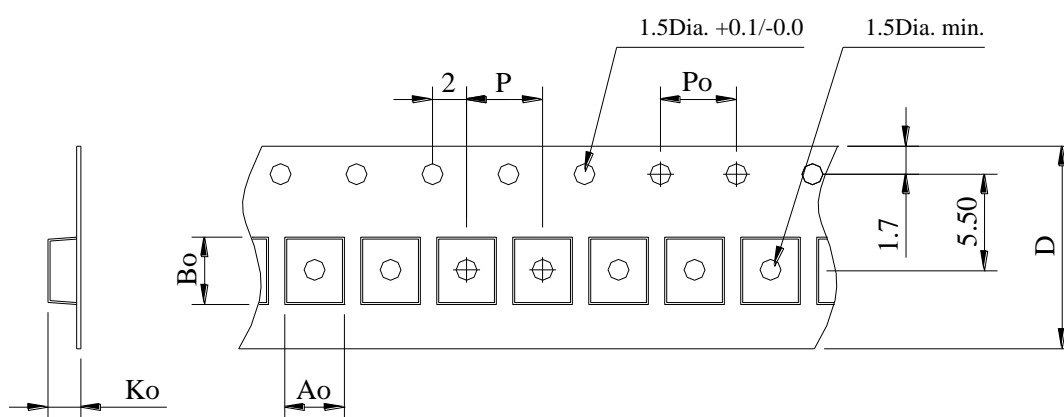
PART NUMBER	INDUCTANCE ( $\mu$ H)	DCR (m $\Omega$ ) (Max.)	Isat (A) ( Max. )	TEST FREQ. ( f )
SDC5D28R-2R5N-LF	2.5 $\pm$ 30%	17.6	2.60	100KHz
SDC5D28R-3R3N-LF	3.3 $\pm$ 30%	20.3	2.30	100KHz
SDC5D28R-4R0N-LF	4.0 $\pm$ 30%	27.0	2.10	100KHz
SDC5D28R-5R0N-LF	5.0 $\pm$ 30%	31.1	1.85	100KHz
SDC5D28R-6R0N-LF	6.0 $\pm$ 30%	41.9	1.70	100KHz
SDC5D28R-6R8N-LF	6.8 $\pm$ 30%	49.9	1.50	100KHz
SDC5D28R-100N-LF	10 $\pm$ 30%	54.0	1.30	100KHz
SDC5D28R-120N-LF	12 $\pm$ 30%	71.6	1.20	100KHz
SDC5D28R-150N-LF	15 $\pm$ 30%	82.4	1.10	100KHz
SDC5D28R-180N-LF	18 $\pm$ 30%	102	1.05	100KHz
SDC5D28R-220N-LF	22 $\pm$ 30%	119	0.95	100KHz
SDC5D28R-270N-LF	27 $\pm$ 30%	146	0.85	100KHz
SDC5D28R-330N-LF	33 $\pm$ 30%	183	0.76	100KHz
SDC5D28R-390N-LF	39 $\pm$ 30%	210	0.68	100KHz
SDC5D28R-470N-LF	47 $\pm$ 30%	230	0.60	100KHz
SDC5D28R-560N-LF	56 $\pm$ 30%	305	0.55	100KHz
SDC5D28R-680N-LF	68 $\pm$ 30%	351	0.48	100KHz
SDC5D28R-820N-LF	82 $\pm$ 30%	419	0.45	100KHz
SDC5D28R-101N-LF	100 $\pm$ 30%	520	0.40	100KHz

- Isat : DC current at which the inductance drops 35% (typ) from its value without current.
- Irms: The actual current when temperature of coil becomes  $\Delta 40^{\circ}\text{C}$  . (  $T_a=+25^{\circ}\text{C}$  )
- Operating temperature range  $-40^{\circ}\text{C}$  to  $+125^{\circ}\text{C}$  , Electrical specifications at  $25^{\circ}\text{C}$ .
- Packing : 13" reel, machine-ready ,embossed plastic tape ( 2,000 parts per full reel).

## SDC5D28R SERIES~ SMD Shielded Power Inductors



### PACKAGING SPECIFICATION



STAYLE	Q'TY (PCS)	DIMENSIONS (m/m)					
		$A_o$	$B_o$	$K_o$	$P$	$P_o$	$D \pm 0.3$
330	2,000	10.4	10.4	3.1	16.0	4.00	24.0