



SDC5D28 SERIES~ SMD Shielded Power Inductors

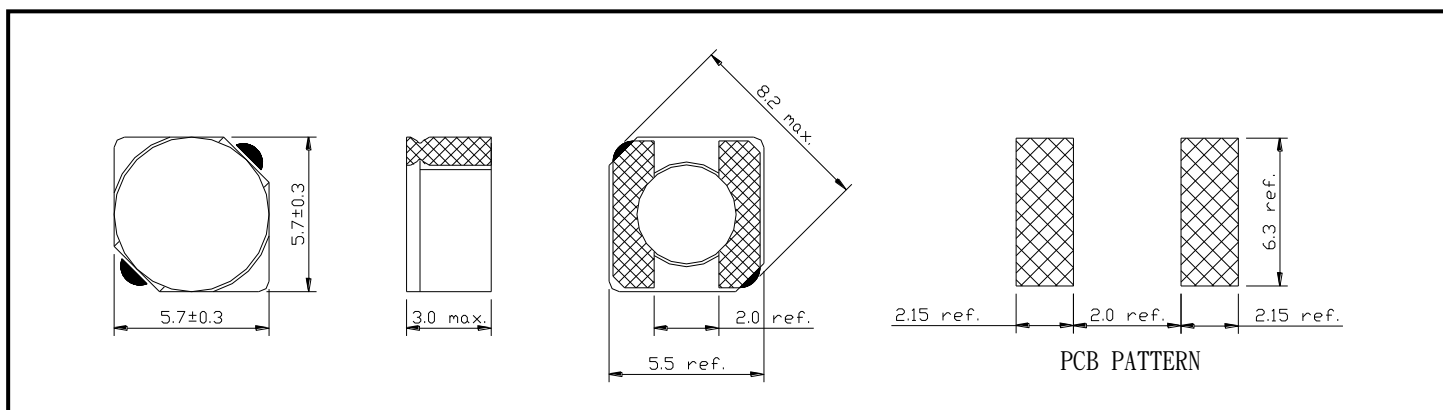


PART NUMBERING SYSTEM

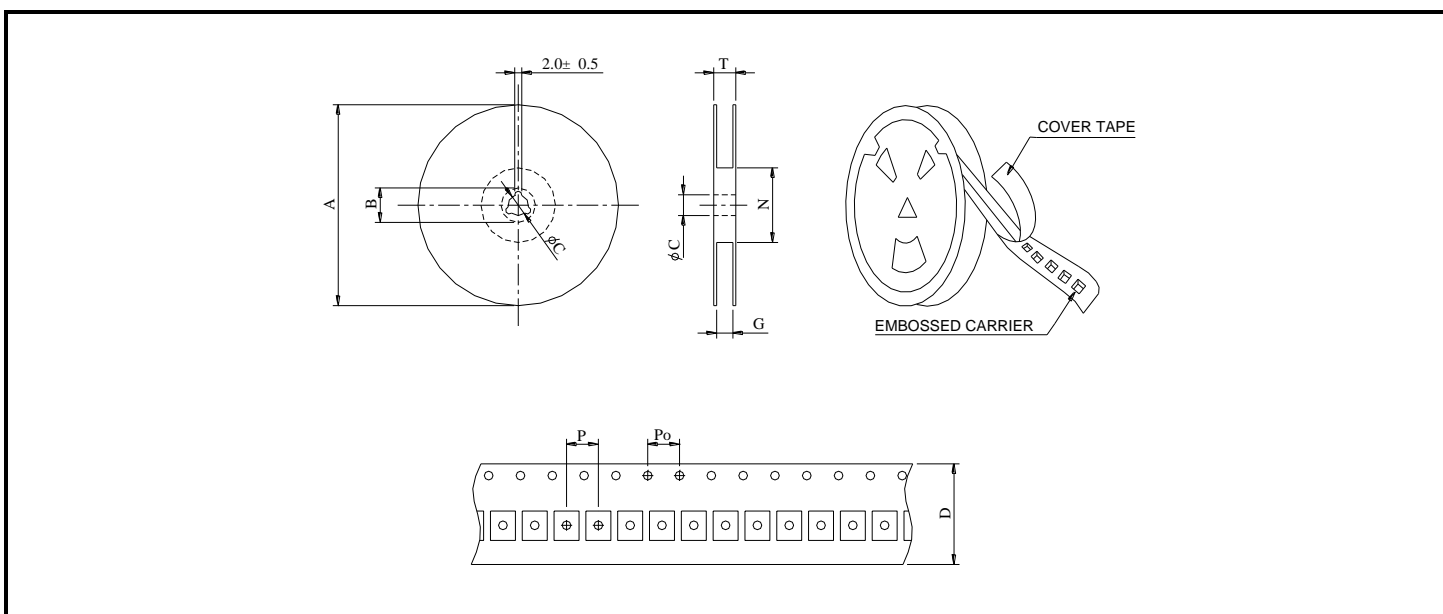
SDC	5D28	—	150N	—	LF
TYPE	DIMENSIONS		INDUCTANCE		LEAD FREE

SHAPES AND DIMENSIONS

UNIT : mm



PACKAGING SPECIFICATION



SERIES	STAYLE	Q' TY (PCS)	DIMENSIONS (m/m)								
			A	B±0.8	C±0.5	D	G ⁺⁰	N ⁰	P	Po	T
SDC5D28	13-16	2000	330	21	13	16	18	50	8	4	22.4

SDC5D28 SERIES~ SMD Shielded Power Inductors



SPECIFICATION TABLE

PART NUMBER	INDUCTANCE (μ H)	DCR (m Ω) (Max.)	IDC (A)	TEST FREQ. (f)
SDC5D28-2R5N-LF	2.5 \pm 30%	18	2.60	10KHz
SDC5D28-3R0N-LF	3.0 \pm 30%	24	2.40	10KHz
SDC5D28-4R2N-LF	4.2 \pm 30%	31	2.20	10KHz
SDC5D28-5R3N-LF	5.3 \pm 30%	38	1.90	10KHz
SDC5D28-6R2N-LF	6.2 \pm 30%	45	1.80	10KHz
SDC5D28-8R2N-LF	8.2 \pm 30%	53	1.60	10KHz
SDC5D28-100N-LF	10 \pm 30%	65	1.30	10KHz
SDC5D28-120N-LF	12 \pm 30%	76	1.20	10KHz
SDC5D28-150N-LF	15 \pm 30%	103	1.10	10KHz
SDC5D28-180N-LF	18 \pm 30%	110	1.00	10KHz
SDC5D28-220M-LF	22 \pm 20%	122	0.90	10KHz
SDC5D28-270M-LF	27 \pm 20%	175	0.85	10KHz
SDC5D28-330M-LF	33 \pm 20%	189	0.75	10KHz
SDC5D28-390M-LF	39 \pm 20%	212	0.70	10KHz
SDC5D28-470M-LF	47 \pm 20%	250	0.62	10KHz
SDC5D28-560M-LF	56 \pm 20%	305	0.58	10KHz
SDC5D28-680M-LF	68 \pm 20%	355	0.52	10KHz
SDC5D28-820M-LF	82 \pm 20%	463	0.46	10KHz
SDC5D28-101M-LF	100 \pm 20%	520	0.42	10KHz

- Isat : DC current at which the inductance drops 35% (typ) from its value without current.
- Irms: The actual current when temperature of coil becomes Δ 40°C . (Ta=+25°C)
- Operating temperature range -40°C to +125°C , Electrical specifications at 25°C.