



## SDC4D38 SERIES~ SMD Shielded Power Inductors

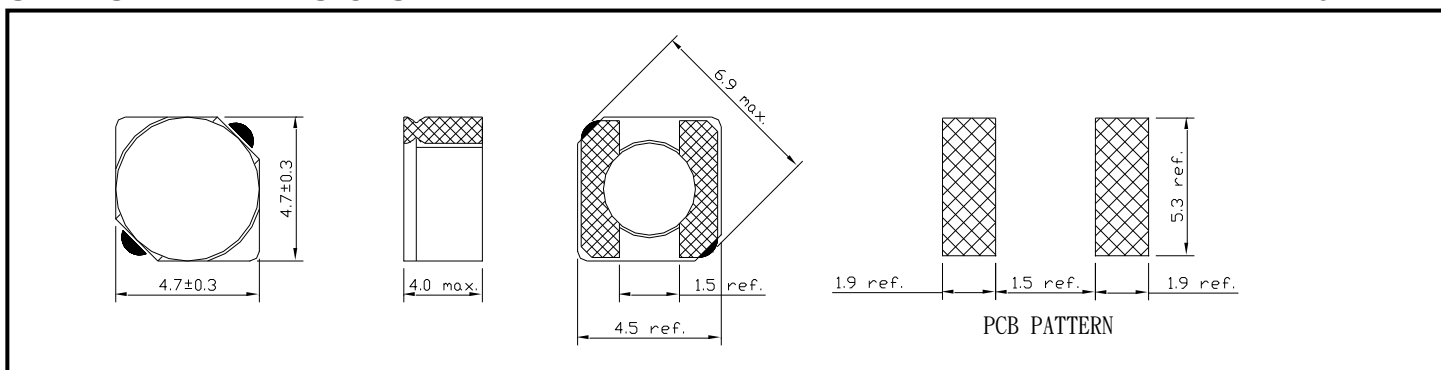


### PART NUMBERING SYSTEM

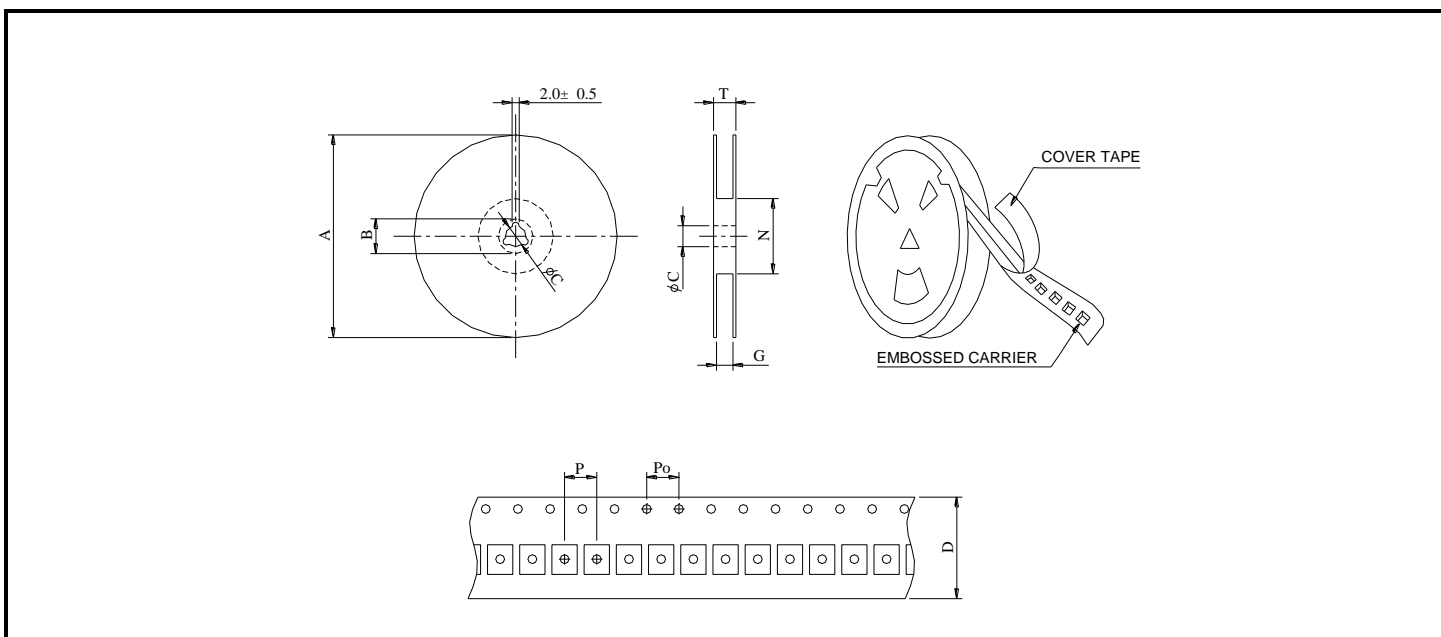
<b>SDC</b>	<b>4D38</b>	—	<b>330M</b>	—	<b>LF</b>
TYPE	DIMENSIONS		INDUCTANCE		LEAD FREE

### SHAPES AND DIMENSIONS

UNIT : mm



### PACKAGING SPECIFICATION



SERIES	STAYLE	Q' TY (PCS)	DIMENSIONS (m/m)								
			A	B±0.8	C±0.5	D	G <sup>+0</sup>	N <sup>0</sup>	P	Po	T
SDC4D38	13-16	2000	330	21	13	16	18	50	8	4	22.4

## SDC4D38 SERIES~ SMD Shielded Power Inductors



### SPECIFICATION TABLE

PART NUMBER	INDUCTANCE ( $\mu$ H)	DCR (m $\Omega$ ) (Max.)	DCR (m $\Omega$ ) (Max.)	Isat(A) ( Max.)	Irms(A) ( Max.)
SDC4D38-R22N-LF	0.22 $\pm$ 30%	14.0	12.0	13.0	5.00
SDC4D38-R39N-LF	0.39 $\pm$ 30%	16.0	13.5	9.30	4.20
SDC4D38-R56N-LF	0.56 $\pm$ 30%	17.0	15.0	8.10	3.80
SDC4D38-R82N-LF	0.82 $\pm$ 30%	20.0	17.0	7.10	3.40
SDC4D38-1R0N-LF	1.0 $\pm$ 30%	22.0	19.0	6.50	3.30
SDC4D38-2R2N-LF	2.2 $\pm$ 30%	30.0	26.0	4.60	3.00
SDC4D38-3R3N-LF	3.3 $\pm$ 30%	36.0	31.0	3.60	2.60
SDC4D38-4R7N-LF	4.7 $\pm$ 30%	52.0	45.0	3.20	2.20
SDC4D38-6R8N-LF	6.8 $\pm$ 30%	59.0	51.0	2.70	2.00
SDC4D38-8R2N-LF	8.2 $\pm$ 30%	81.0	70.0	2.20	1.75
SDC4D38-100N-LF	10 $\pm$ 20%	94.0	82.0	2.10	1.65
SDC4D38-150N-LF	15 $\pm$ 20%	136	118	1.70	1.40
SDC4D38-220M-LF	22 $\pm$ 20%	213	185	1.40	1.10
SDC4D38-330M-LF	33 $\pm$ 20%	298	259	1.20	0.90
SDC4D38-470M-LF	47 $\pm$ 20%	351	305	1.05	0.80
SDC4D38-560M-LF	56 $\pm$ 20%	481	418	0.90	0.70
SDC4D38-680M-LF	68 $\pm$ 20%	700	608	0.85	0.60
SDC4D38-820M-LF	82 $\pm$ 20%	750	689	0.80	0.58
SDC4D38-101M-LF	100 $\pm$ 20%	850	770	0.68	0.52

- Isat : DC current at which the inductance drops 35% (typ) from its value without current.
- Irms: The actual current when temperature of coil becomes  $\Delta 40^{\circ}\text{C}$ . (  $T_a=+25^{\circ}\text{C}$  )
- Operating temperature range  $-40^{\circ}\text{C}$  to  $+125^{\circ}\text{C}$ , Electrical specifications at  $25^{\circ}\text{C}$ .