



SDC4D14LD SERIES~ SMD Shielded Power Inductors

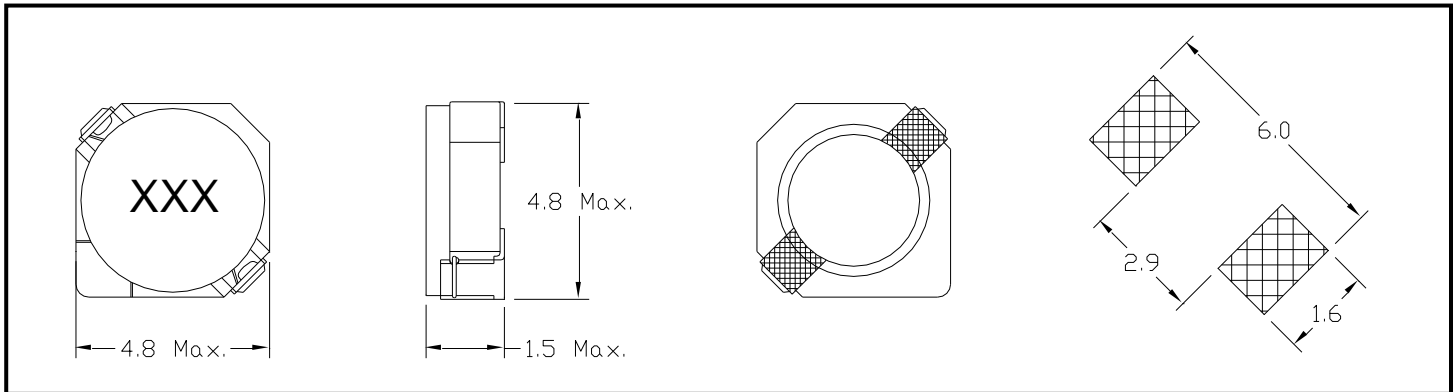


PART NUMBERING SYSTEM

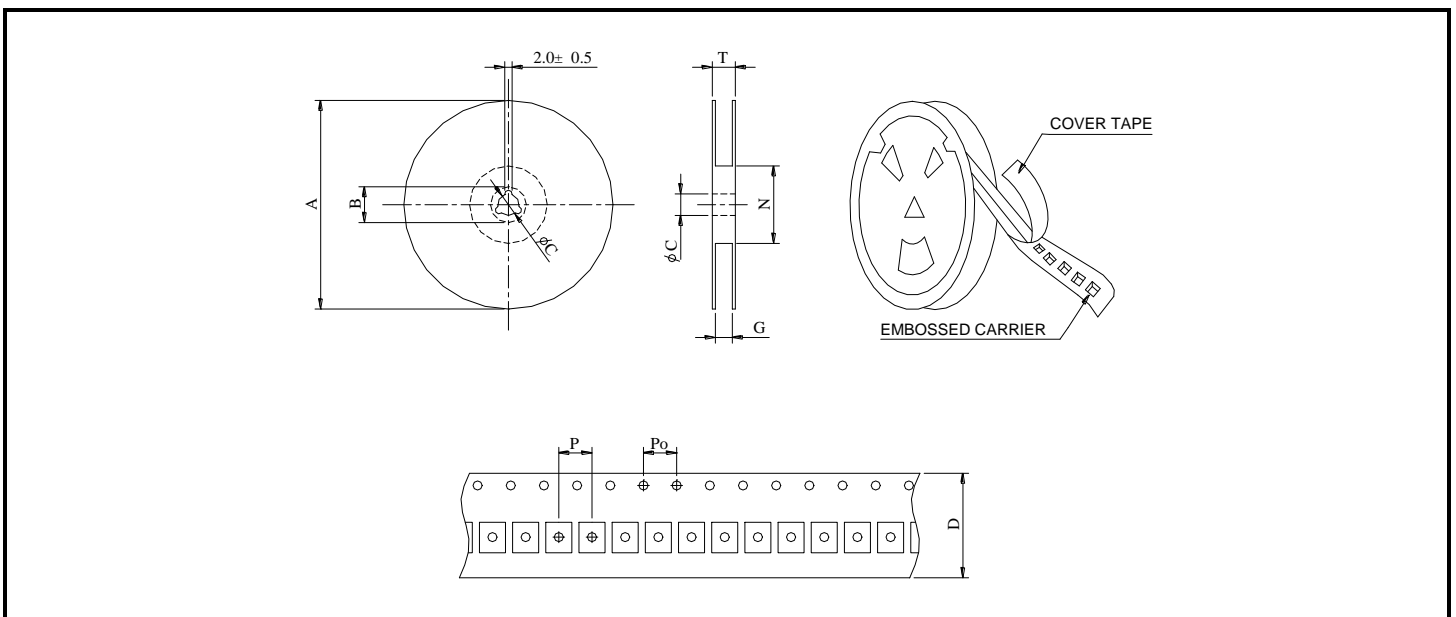
SDC	4D14LD	—	330N	—	LF
TYPE	DIMENSIONS		INDUCTANCE		LEAD FREE

SHAPES AND DIMENSIONS

UNIT : mm



PACKAGING SPECIFICATION



SERIES	STAYLE	Q'TY (PCS)	DIMENSIONS (m/m)								
			A	B±0.8	C±0.5	D	G ⁺⁰	N ⁰	P	Po	T
SDC4D14LD	13-16	2000	330	21	13	16	18	50	8	4	22.4



SDC4D14LD SERIES~ SMD Shielded Power Inductors



SPECIFICATION TABLE

PART NUMBER	INDUCTANCE (μ H)	DCR (m Ω) (Max.)	Isat (A) (Max.)	Irms (A) (Max.)	TEST FREQ. (f)
SDC4D14LD-2R2N-LF	2.2 \pm 30%	40	1.05	2.60	100KHz
SDC4D14LD-3R0N-LF	3.0 \pm 30%	50	0.98	2.30	100KHz
SDC4D14LD-4R7N-LF	4.7 \pm 30%	66	0.78	1.90	100KHz
SDC4D14LD-6R8N-LF	6.8 \pm 30%	96	0.64	1.55	100KHz
SDC4D14LD-100N-LF	10 \pm 30%	135	0.52	1.08	100KHz
SDC4D14LD-150N-LF	15 \pm 30%	210	0.42	0.88	100KHz
SDC4D14LD-220N-LF	22 \pm 30%	300	0.35	0.73	100KHz
SDC4D14LD-330N-LF	33 \pm 30%	420	0.28	0.56	100KHz
SDC4D14LD-470N-LF	47 \pm 30%	570	0.24	0.48	100KHz
SDC4D14LD-680N-LF	68 \pm 30%	870	0.21	0.41	100KHz
SDC4D14LD-101N-LF	100 \pm 30%	1350	0.16	0.32	100KHz
SDC4D14LD-151N-LF	150 \pm 30%	2050	0.14	0.23	100KHz
SDC4D14LD-221N-LF	220 \pm 30%	2650	0.11	0.20	100KHz

- Isat : DC current at which the inductance drops 35% (typ) from its value without current.
- Irms: The actual current when temperature of coil becomes $\Delta 40^{\circ}\text{C}$. ($T_a=+25^{\circ}\text{C}$)
- Operating temperature range -40°C to $+125^{\circ}\text{C}$, Electrical specifications at 25°C .
- Packing : 13" reel, machine-ready ,embossed plastic tape (2,000 parts per full reel).