



## SDC4D14 SERIES~ SMD Shielded Power Inductors

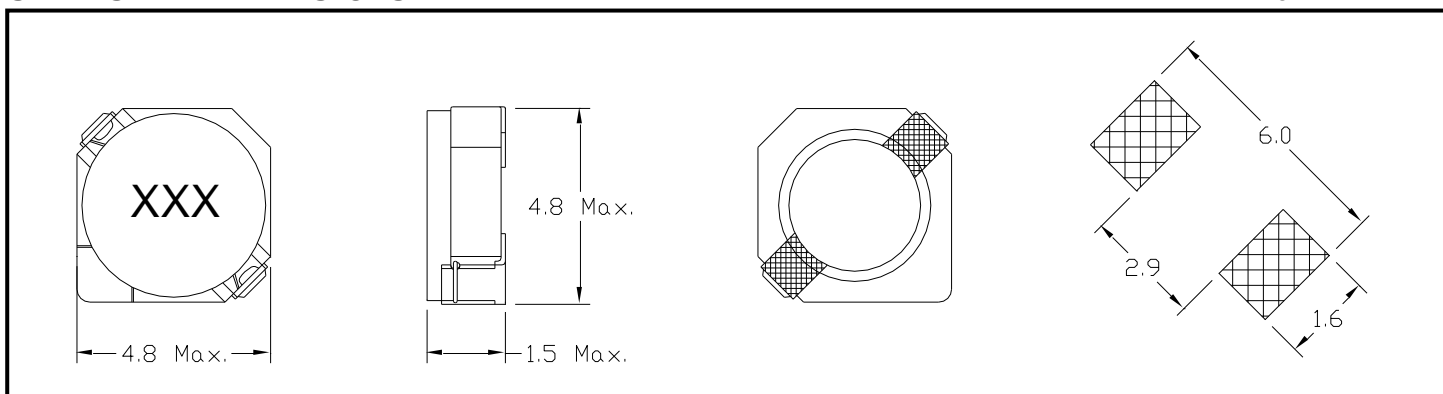


### PART NUMBERING SYSTEM

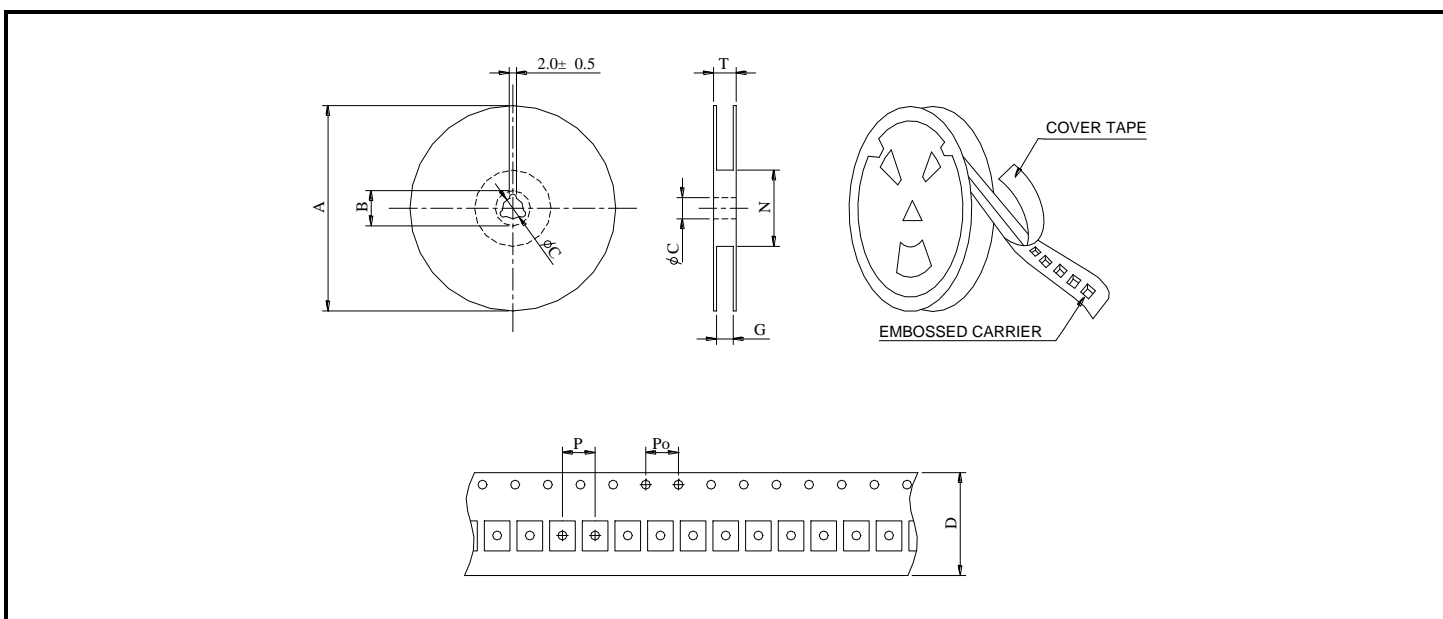
<b>SDC</b>	<b>4D14</b>	—	<b>6R8N</b>	—	<b>LF</b>
TYPE	DIMENSIONS		INDUCTANCE		LEAD FREE

### SHAPES AND DIMENSIONS

UNIT : mm



### PACKAGING SPECIFICATION



SERIES	STAYLE	Q'TY (PCS)	DIMENSIONS (m/m)								
			A	B±0.8	C±0.5	D	G <sup>+0</sup>	N <sup>0</sup>	P	Po	T
SDC4D14	13-16	2000	330	21	13	16	18	50	8	4	22.4

## SDC4D14 SERIES~ SMD Shielded Power Inductors



### SPECIFICATION TABLE

PART NUMBER	INDUCTANCE ( $\mu$ H)	DCR (m $\Omega$ ) (Max.)	Isat (A) ( Max. )	Irms (A) ( Max. )	TEST FREQ. ( f )
SDC4D14-2R2N-LF	2.2 $\pm$ 30%	48	1.60	2.35	100KHz
SDC4D14-3R0N-LF	3.0 $\pm$ 30%	63	1.40	2.15	100KHz
SDC4D14-4R7N-LF	4.7 $\pm$ 30%	90	1.10	1.55	100KHz
SDC4D14-6R8N-LF	6.8 $\pm$ 30%	125	0.90	1.20	100KHz
SDC4D14-100N-LF	10 $\pm$ 30%	185	0.73	0.90	100KHz
SDC4D14-150N-LF	15 $\pm$ 30%	270	0.59	0.74	100KHz
SDC4D14-220N-LF	22 $\pm$ 30%	400	0.50	0.63	100KHz
SDC4D14-330N-LF	33 $\pm$ 30%	560	0.41	0.50	100KHz
SDC4D14-470N-LF	47 $\pm$ 30%	780	0.35	0.42	100KHz
SDC4D14-680N-LF	68 $\pm$ 30%	1200	0.28	0.33	100KHz

- Isat : DC current at which the inductance drops 35% (typ) from its value without current.
- Irms: The actual current when temperature of coil becomes  $\Delta 40^{\circ}\text{C}$  . (  $T_a = +25^{\circ}\text{C}$  )
- Operating temperature range  $-40^{\circ}\text{C}$  to  $+125^{\circ}\text{C}$  , Electrical specifications at  $25^{\circ}\text{C}$ .