



SDC4D11HP SERIES~ Low Profile SMD Power Inductors

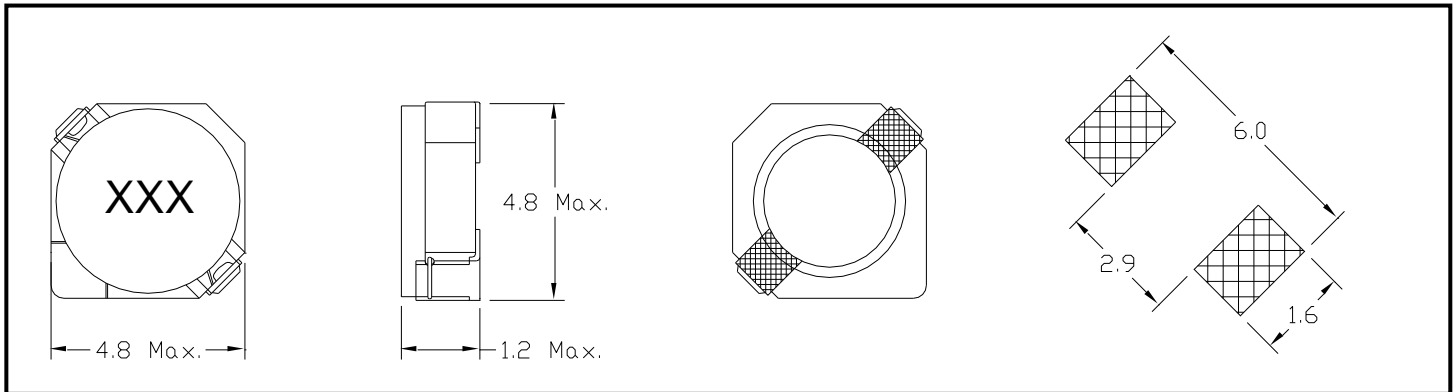


PART NUMBERING SYSTEM

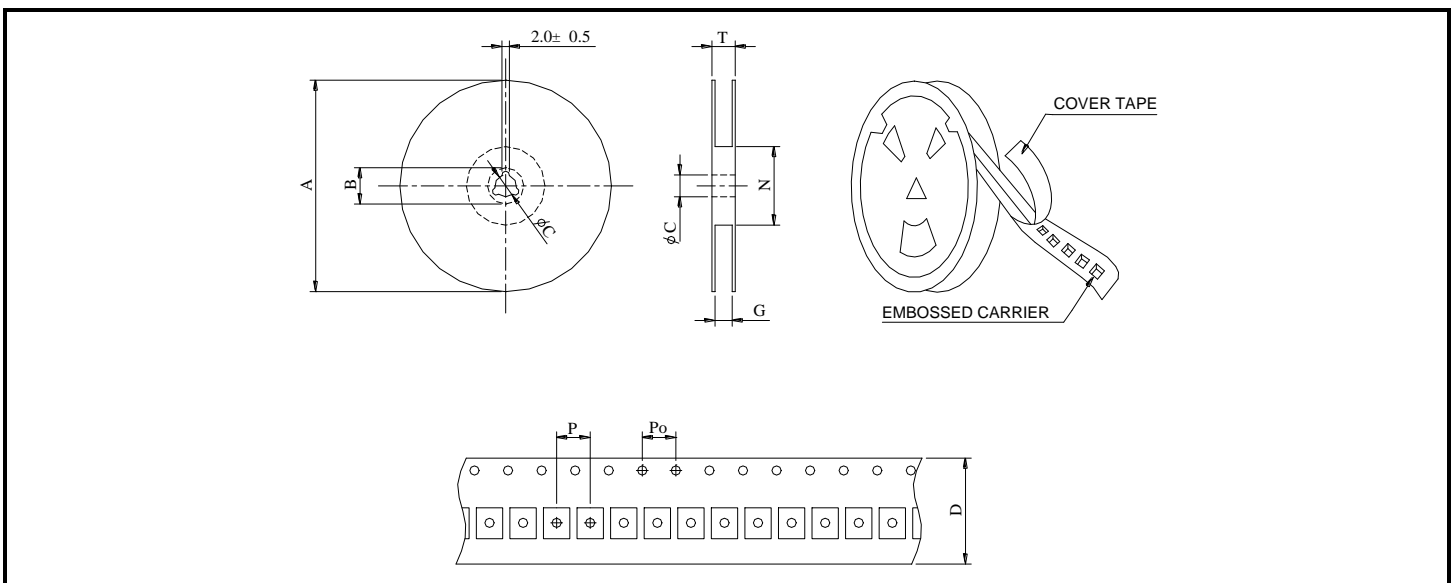
SDC	4D11HP	—	3R3N	—	LF
TYPE	DIMENSIONS		INDUCTANCE		LEAD FREE

SHAPES AND DIMENSIONS

UNIT : mm



PACKAGING SPECIFICATION



SERIES	STAYLE	Q'TY (PCS)	DIMENSIONS (m/m)								
			A	B±0.8	C±0.5	D	G ⁺⁰	N ⁰	P	Po	T
SDC4D11HP	13-16	2000	330	21	13	16	18	50	8	4	22.4

SDC4D11HP SERIES~ Low Profile SMD Power Inductors



SPECIFICATION TABLE

PART NUMBER	INDUCTANCE (μ H)	DCR (m Ω) (Max.)	Isat (A) (Max.)	Irms (A) (Max.)	TEST FREQ. (f)
SDC4D11HP-2R4N-LF	2.4 \pm 30%	105	1.70	1.23	100KHz
SDC4D11HP-3R0N-LF	3.0 \pm 30%	150	1.50	1.10	100KHz
SDC4D11HP-4R7N-LF	4.7 \pm 30%	200	1.22	0.82	100KHz
SDC4D11HP-6R8N-LF	6.8 \pm 30%	280	1.05	0.70	100KHz
SDC4D11HP-100N-LF	10 \pm 30%	420	0.85	0.57	100KHz
SDC4D11HP-150N-LF	15 \pm 30%	650	0.70	0.43	100KHz
SDC4D11HP-220N-LF	22 \pm 30%	1010	0.55	0.31	100KHz

- Isat : DC current at which the inductance drops 35% (typ) from its value without current.
- Irms: The actual current when temperature of coil becomes $\Delta 40^{\circ}\text{C}$. ($T_a=+25^{\circ}\text{C}$)
- Operating temperature range -40°C to $+125^{\circ}\text{C}$, Electrical specifications at 25°C .
- Packing : 13" reel, machine-ready ,embossed plastic tape (2,000 parts per full reel).