



SDC2D14 SERIES

Low Profile Shielded Power Inductors



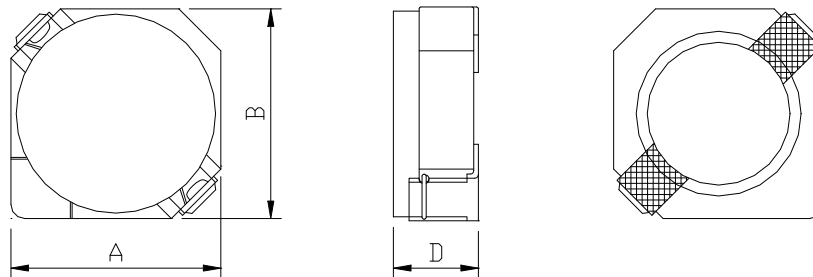
RoHS Compliant

PART NUMBERING SYSTEM

<u>SDC</u>	<u>2D14</u>	—	<u>100N</u>	—	<u>LF</u>
TYPE	DIMENSIONS		INDUCTANCE		LEAD FREE

SHAPES AND DIMENSIONS

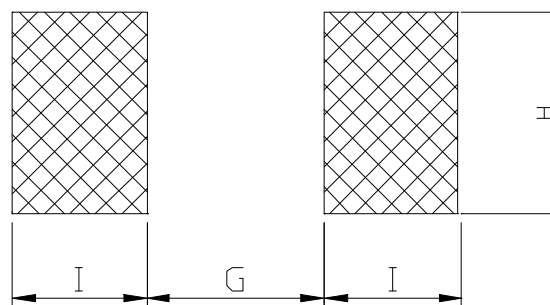
UNIT : mm



A=3.20 max. B=3.20 max. D=1.55 max.

RECOMMENDED PATTERNS

UNIT : mm



G= 1.7 H= 1.3 I = 1.3

FEATURES

- Low profile power inductors (1.55mm max. height) and 3.2mm max. square.
- Magnetically shielded and low DC resistance .
- Suitable for large currents .
- Ideal for a variety of DC-DC converter inductor applications .



SDC2D14 SERIES

Low Profile Shielded Power Inductors



RoHS Compliant

ELECTRICAL CHARACTERISTICS :

PART NUMBER	INDUCTANCE (μ H)	DCR (m Ω) (Max.)	Isat (A)	Irms (A)	TEST FREQ. (f)
SDC2D14-1R5N-LF	1.50 \pm 30%	63	1.80	2.00	100KHz
SDC2D14-1R8N-LF	1.80 \pm 30%	75	1.65	1.80	100KHz
SDC2D14-2R2N-LF	2.20 \pm 30%	94	1.50	1.60	100KHz
SDC2D14-2R7N-LF	2.70 \pm 30%	106	1.35	1.40	100KHz
SDC2D14-3R3N-LF	3.30 \pm 30%	125	1.20	1.24	100KHz
SDC2D14-3R9N-LF	3.90 \pm 30%	138	1.10	1.12	100KHz
SDC2D14-4R7N-LF	4.70 \pm 30%	169	1.00	1.00	100KHz
SDC2D14-5R6N-LF	5.60 \pm 30%	188	0.95	0.98	100KHz
SDC2D14-6R8N-LF	6.80 \pm 30%	213	0.85	0.92	100KHz
SDC2D14-8R2N-LF	8.20 \pm 30%	281	0.80	0.88	100KHz
SDC2D14-100N-LF	10.0 \pm 30%	294	0.70	0.76	100KHz
SDC2D14-120N-LF	12.0 \pm 30%	394	0.62	0.64	100KHz

- Isat : DC current at which the inductance drops 35% (typ) from its value without current.
- Irms: The actual current when temperature of coil become $\Delta 40^{\circ}\text{C}$. (Ta=+25 $^{\circ}\text{C}$)
- Operating temperature range : -40 $^{\circ}\text{C}$ to + 125 $^{\circ}\text{C}$
- Packing : 13" reel, machine-ready ,embossed plastic tape (3,500 parts per full reel).



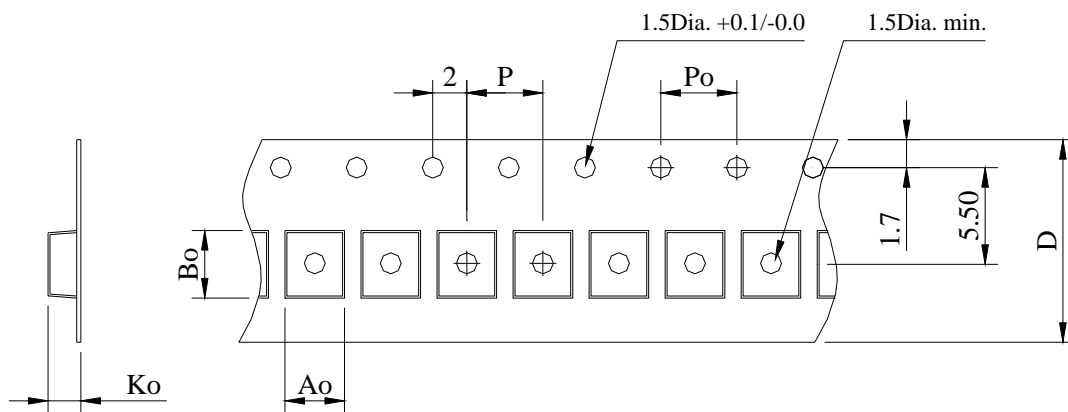
SDC2D14 SERIES

Low Profile Shielded Power Inductors



RoHS Compliant

PACKAGING SPECIFICATION



STAYLE	Q' TY (PCS)	DIMENSIONS (m/m)					
		A_o	B_o	K_o	P	P_o	$D\pm 0.3$
13"	3,500	5.72	5.72	3.40	8.00	4.00	12.0