



SDB1204 SERIES ~ SMD POWER INDUCTORS

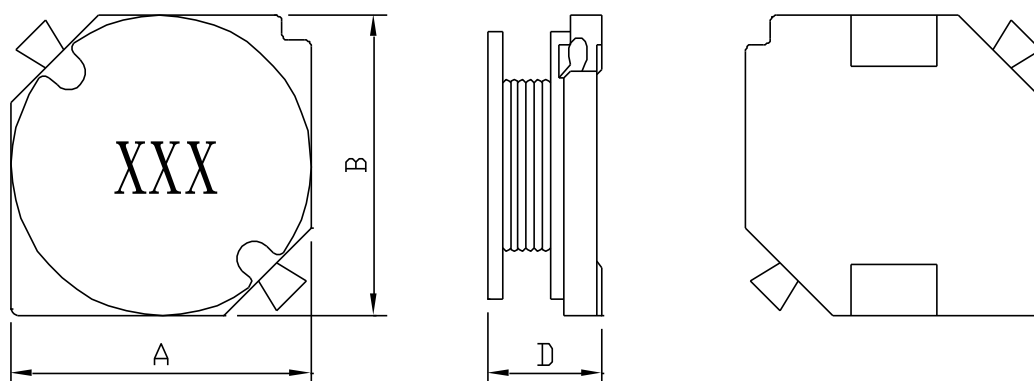


PART NUMBERING SYSTEM

SDB	1204	—	680K	—	LF
TYPE	DIMENSIONS		INDUCTANCE		LEAD FREE

SHAPES AND DIMENSIONS

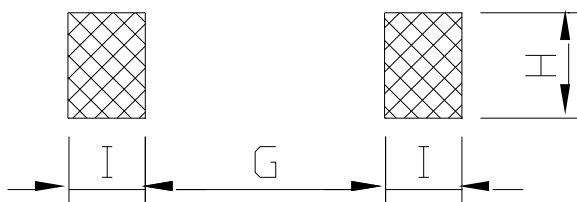
UNIT : mm



A=13.0 Max. B=13.0 Max. D=5.1 Max.

PCB LAYOUT

UNIT : mm



G=8.4 Ref. H=3.6 Ref. I=2.6 Ref.

FEATURES

- Size : 13x13mm Max. square and 5.1mm Max . (Ht)
- 2.5 μ H part handles 8 Amps of saturating current!
- Ideal for Power supplies of portable communication equipment ,LCD TV's , Car radio's .
- RoHS-compliant. 260°C compatible. Silver-palladium-platinum-glass frit terminations



SDB1204 SERIES ~ SMD POWER INDUCTORS



SPECIFICATION TABLE

PART NUMBER	INDUCTANCE (μ H)	DCR (m Ω) (Max.)	Isat (A) (Max.)	Irms(A) (Max.)	SRF(MHz) (Min.)	TEST FREQ. (f)
SDB1204-2R5P-LF	2.5 \pm 25%	9.80	8.0	7.2	61	7.96
SDB1204-3R5P-LF	3.5 \pm 25%	10.5	7.0	6.0	43	7.96
SDB1204-4R6P-LF	4.6 \pm 25%	16.5	6.0	5.2	35	7.96
SDB1204-6R8P-LF	6.8 \pm 25%	24.0	5.2	4.3	32	7.96
SDB1204-100M-LF	10 \pm 20%	37.0	4.4	3.6	27	2.52
SDB1204-150M-LF	15 \pm 20%	46.0	3.7	3.3	24	2.52
SDB1204-220M-LF	22 \pm 20%	62.0	3.0	2.9	20	2.52
SDB1204-330M-LF	33 \pm 20%	85.0	2.6	2.5	16	2.52
SDB1204-470M-LF	47 \pm 20%	130	2.0	1.9	13	2.52
SDB1204-680M-LF	68 \pm 20%	165	1.8	1.65	11	2.52
SDB1204-101K-LF	100 \pm 10%	255	1.4	1.4	11	0.796
SDB1204-151K-LF	150 \pm 10%	380	1.15	1.2	8	0.796
SDB1204-221K-LF	220 \pm 10%	500	0.95	1.0	7	0.796
SDB1204-331K-LF	330 \pm 10%	700	0.80	0.85	6	0.796
SDB1204-471K-LF	470 \pm 10%	1150	0.70	0.67	4	0.796
SDB1204-681K-LF	680 \pm 10%	1400	0.58	0.60	3.5	0.796
SDB1204-102K-LF	1000 \pm 10%	2350	0.47	0.46	2.7	0.252

- Isat : DC current at which the inductance drops 25% (typ) from its value without current.
- Irms: The actual current when temperature of coil becomes $\Delta 40^{\circ}\text{C}$. ($T_a = +25^{\circ}\text{C}$)
- Operating temperature range -40°C to $+125^{\circ}\text{C}$.
- Electrical specifications at 25°C .
- Reel Qty 600pcs