



SDB1003 SERIES ~ SMD POWER INDUCTORS

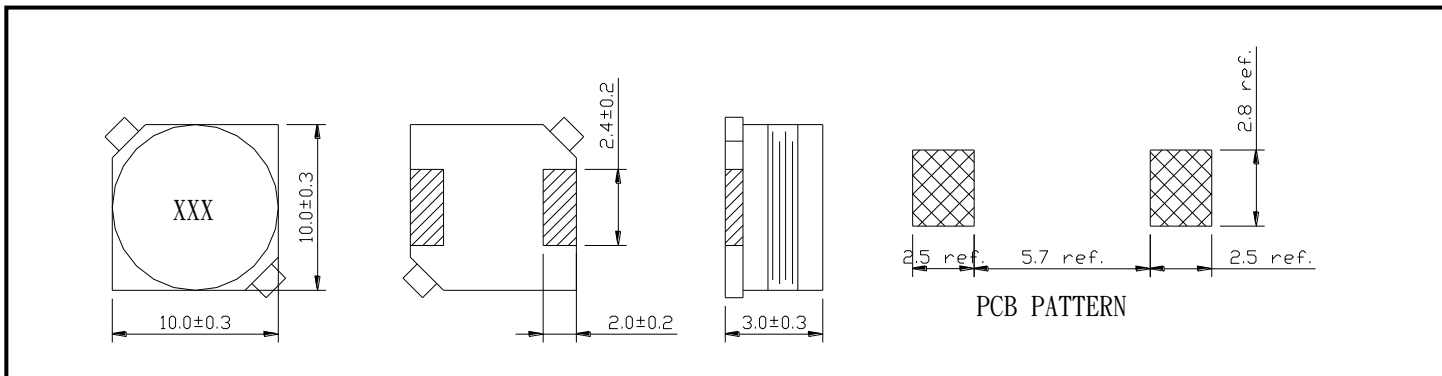


PART NUMBERING SYSTEM

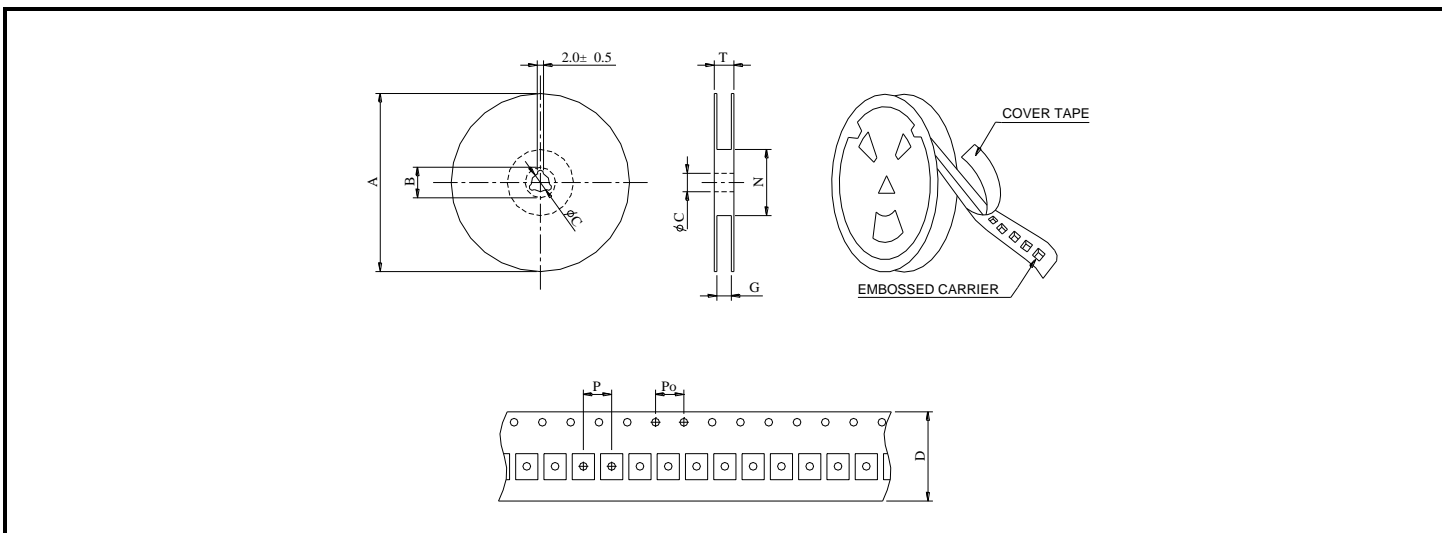
| | | | | | |
|------------|-------------|---|-------------|---|-----------|
| SDB | 1003 | — | 101M | — | LF |
| TYPE | DIMENSIONS | | INDUCTANCE | | LEAD FREE |

SHAPES AND DIMENSIONS

UNIT : mm



PACKAGING SPECIFICATION



| SERIES | STAYLE | Q' TY (PCS) | DIMENSIONS (m/m) | | | | | | | | |
|---------|--------|----------------|------------------|-------|-------|----|-----------------|----------------|----|----|------|
| | | | A | B±0.8 | C±0.5 | D | G ⁺⁰ | N ⁰ | P | Po | T |
| SDB1003 | 13-24 | 1000 | 330 | 21 | 13 | 24 | 26 | 50 | 16 | 4 | 30.4 |



SDB1003 SERIES ~ SMD POWER INDUCTORS



SPECIFICATION TABLE

| PART NUMBER | INDUCTANCE (μ H) | DCR (Ω) (Max.) | IDC (A) (Max.) | TEST FREQ. (f) |
|-----------------|--------------------------|----------------------------|---------------------|---------------------|
| SDB1003-1R8M-LF | 1.8 \pm 20% | 0.027 | 4.00 | 100KHz |
| SDB1003-2R7M-LF | 2.7 \pm 20% | 0.030 | 3.65 | 100KHz |
| SDB1003-3R9M-LF | 3.9 \pm 20% | 0.035 | 3.15 | 100KHz |
| SDB1003-4R7M-LF | 4.7 \pm 20% | 0.040 | 3.00 | 100KHz |
| SDB1003-6R8M-LF | 6.8 \pm 20% | 0.050 | 2.35 | 100KHz |
| SDB1003-100M-LF | 10 \pm 20% | 0.060 | 2.20 | 100KHz |
| SDB1003-120M-LF | 12 \pm 20% | 0.080 | 2.00 | 100KHz |
| SDB1003-150M-LF | 15 \pm 20% | 0.100 | 1.75 | 100KHz |
| SDB1003-180M-LF | 18 \pm 20% | 0.110 | 1.70 | 100KHz |
| SDB1003-220M-LF | 22 \pm 20% | 0.140 | 1.60 | 100KHz |
| SDB1003-270M-LF | 27 \pm 20% | 0.160 | 1.40 | 100KHz |
| SDB1003-330M-LF | 33 \pm 20% | 0.210 | 1.20 | 100KHz |
| SDB1003-390M-LF | 39 \pm 20% | 0.235 | 1.10 | 100KHz |
| SDB1003-470M-LF | 47 \pm 20% | 0.280 | 1.00 | 100KHz |
| SDB1003-560M-LF | 56 \pm 20% | 0.320 | 0.90 | 100KHz |
| SDB1003-680M-LF | 68 \pm 20% | 0.370 | 0.85 | 100KHz |
| SDB1003-820M-LF | 82 \pm 20% | 0.430 | 0.75 | 100KHz |
| SDB1003-101M-LF | 100 \pm 20% | 0.560 | 0.70 | 100KHz |
| SDB1003-121M-LF | 120 \pm 20% | 0.640 | 0.60 | 100KHz |
| SDB1003-151M-LF | 150 \pm 20% | 0.730 | 0.55 | 100KHz |
| SDB1003-181M-LF | 180 \pm 20% | 0.960 | 0.50 | 100KHz |
| SDB1003-221M-LF | 220 \pm 20% | 1.100 | 0.48 | 100KHz |
| SDB1003-271M-LF | 270 \pm 20% | 1.240 | 0.45 | 100KHz |
| SDB1003-331M-LF | 330 \pm 20% | 1.640 | 0.38 | 100KHz |
| SDB1003-391M-LF | 390 \pm 20% | 1.790 | 0.35 | 100KHz |
| SDB1003-471M-LF | 470 \pm 20% | 2.050 | 0.30 | 100KHz |
| SDB1003-561M-LF | 560 \pm 20% | 2.890 | 0.29 | 100KHz |
| SDB1003-681M-LF | 680 \pm 20% | 3.240 | 0.27 | 100KHz |
| SDB1003-821M-LF | 820 \pm 20% | 3.700 | 0.25 | 100KHz |
| SDB1003-102M-LF | 1000 \pm 20% | 7.000 | 0.24 | 100KHz |

- DC current at which the inductance drops 10% (typ) from its value without current.
- Operating temperature range -40°C to +125°C
- Electrical specifications at 25°C.