



SBS7055 SERIES ~ Shielded SMD Power Inductors

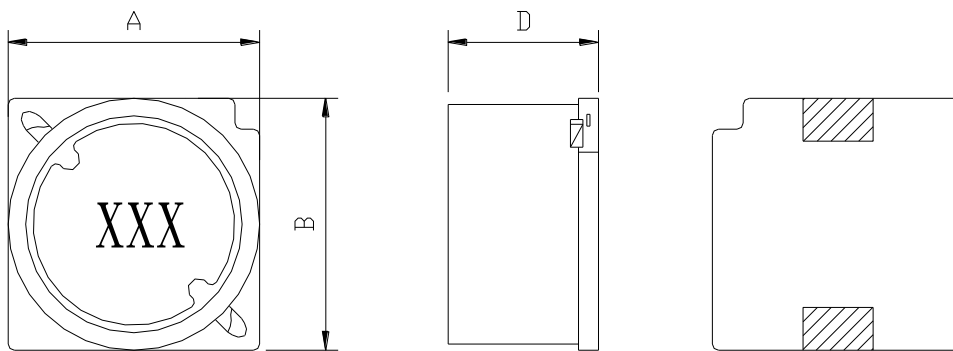


PART NUMBERING SYSTEM

SBS	7055	—	220M	—	LF
TYPE	DIMENSIONS		INDUCTANCE		LEAD FREE

SHAPES AND DIMENSIONS

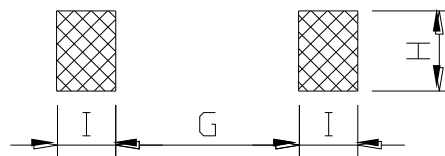
UNIT : mm



A=7.2 Max. B=7.2 Max. D=5.80 Max.

RECOMMENDED PATTERNS

UNIT : mm



G=4.8 H=2.2 I=1.5

FEATURES

- Magnetically shielded construction
- Size : 7.2(L)x7.2(W)x5.8(Ht) mm Max.
- Suitable for large current
- Ideal for a variety of DC-DC converter inductor applications .
- RoHS compliant .

SBS7055 SERIES ~ Shielded SMD Power Inductors

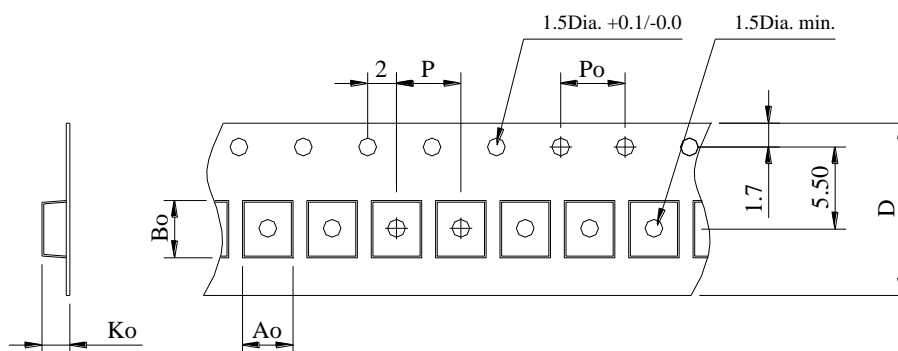


SPECIFICATION TABLE

PART NUMBER	INDUCTANCE (μ H)	DCR (M Ω) (Max.)	Isat (A) (Max.)	Irms (A) (Max.)	TEST FREQ. (f)
SBS7055-1R5N-LF	1.5 \pm 30%	22.62	6.2	4.0	100KHz
SBS7055-2R2N-LF	2.2 \pm 30%	28.21	5.3	3.5	100KHz
SBS7055-3R3N-LF	3.3 \pm 30%	31.20	4.3	3.3	100KHz
SBS7055-4R7N-LF	4.7 \pm 30%	36.40	3.6	3.1	100KHz
SBS7055-6R8N-LF	6.8 \pm 30%	44.20	3.0	2.8	100KHz
SBS7055-100M-LF	10 \pm 20%	50.83	2.6	2.5	100KHz
SBS7055-150M-LF	15 \pm 20%	66.04	2.1	2.2	100KHz
SBS7055-220M-LF	22 \pm 20%	83.59	1.7	2.0	100KHz

- Isat : DC current at which the inductance drops 10% (typ) from its value without current.
- Irms: The actual current when temperature of coil becomes $\Delta 40^{\circ}\text{C}$. ($T_a=+25^{\circ}\text{C}$)
- Operating temperature range -40°C to $+125^{\circ}\text{C}$, Electrical specifications at 25°C .

PACKAGING SPECIFICATION



STAYLE	Q'TY (PCS)	DIMENSIONS (m/m)					
		Ao	Bo	Ko	P	Po	D \pm 0.3
13"	1,000	7.50	7.50	6.30	8.00	4.00	12.0