



SS3730 SERIES ~ Spring Air Core Inductors



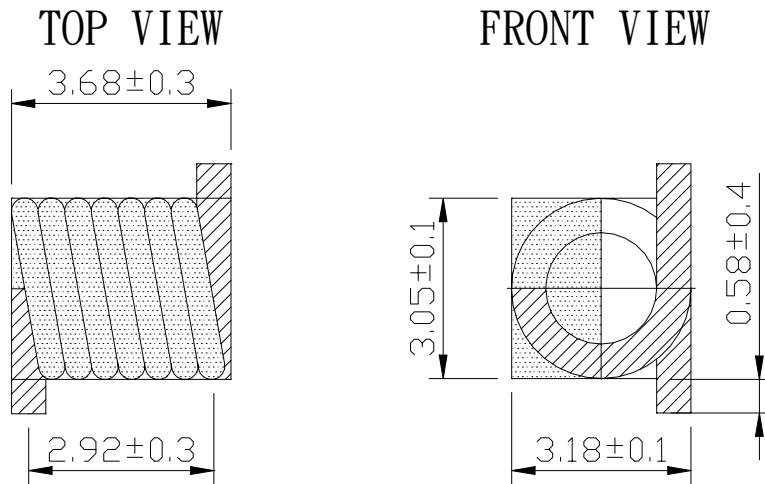
RoHS Compliant

SHAPE AND DIMENSION

FEATURES

- SMD type air core inductor .
- Tape / Reel packaging available for auto-insertion .
- High Q coils .

SS3730 Series



SS3730 SERIES

PART NUMBER	INDUCTANCE (nH)	Tolerance	Q. (Min.)	DCR (mΩ)		SRF (GHz)		I _{rms} (A)	
				(Max)	(Min.)	(Max)	(Max)		
SS3730-2N5X-LF	2.5	K	145	1.1	12.5	4			
SS3730-5N0X-LF	5.0	J , K	140	1.8	6.5	4			
SS3730-8N0X-LF	8.0	J , K	140	2.6	5.0	4			
SS3730-12NX-LF	12.5	J , K	137	3.4	3.3	4			
SS3730-18N X-LF	18.5	J , K	132	3.9	2.5	4			

- * Inductance tested at 150MHz.
- * Inductance tolerance : K=+/-10% ; J=+/-5%.
- * Operating temperature range : -40°C to +125°C.