

SRIDB6560 SERIES ~ Balun Common Mode Chokes

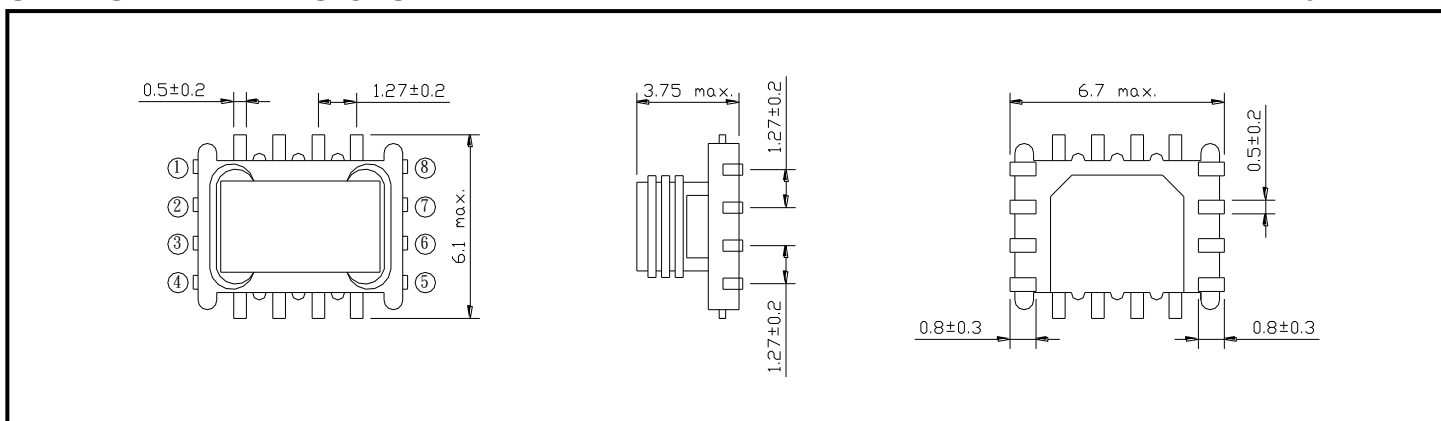


PART NUMBERING SYSTEM

SRIDB	6560	—	301A	—	LF
TYPE	DIMENSIONS		IMPEDANCE		LEAD FREE

SHAPES AND DIMENSIONS

UNIT : mm



SPECIFICATION TABLE

PART NUMBER	RATED CURRENT (mA)	COMMON MODE IMPEDANCE (Ω)		DCR (Ω) max.	WITHSTANDING VOLTAGE (Vdc)	INSULATION RESISTANCE (Ω) (min)	OPERATING TEMP. (°C)
		100MHz	300MHz				
SRIDB6560-121A-LF	500	120±25%	170 (TYP.)	0.12	100	100 M	-40~+85
SRIDB6560-301A-LF	500	300±25%	600 (TYP.)	0.12	100	100 M	-40~+85
SRIDB6560-501A-LF	500	500±25%	730 (TYP.)	0.12	100	100 M	-40~+85

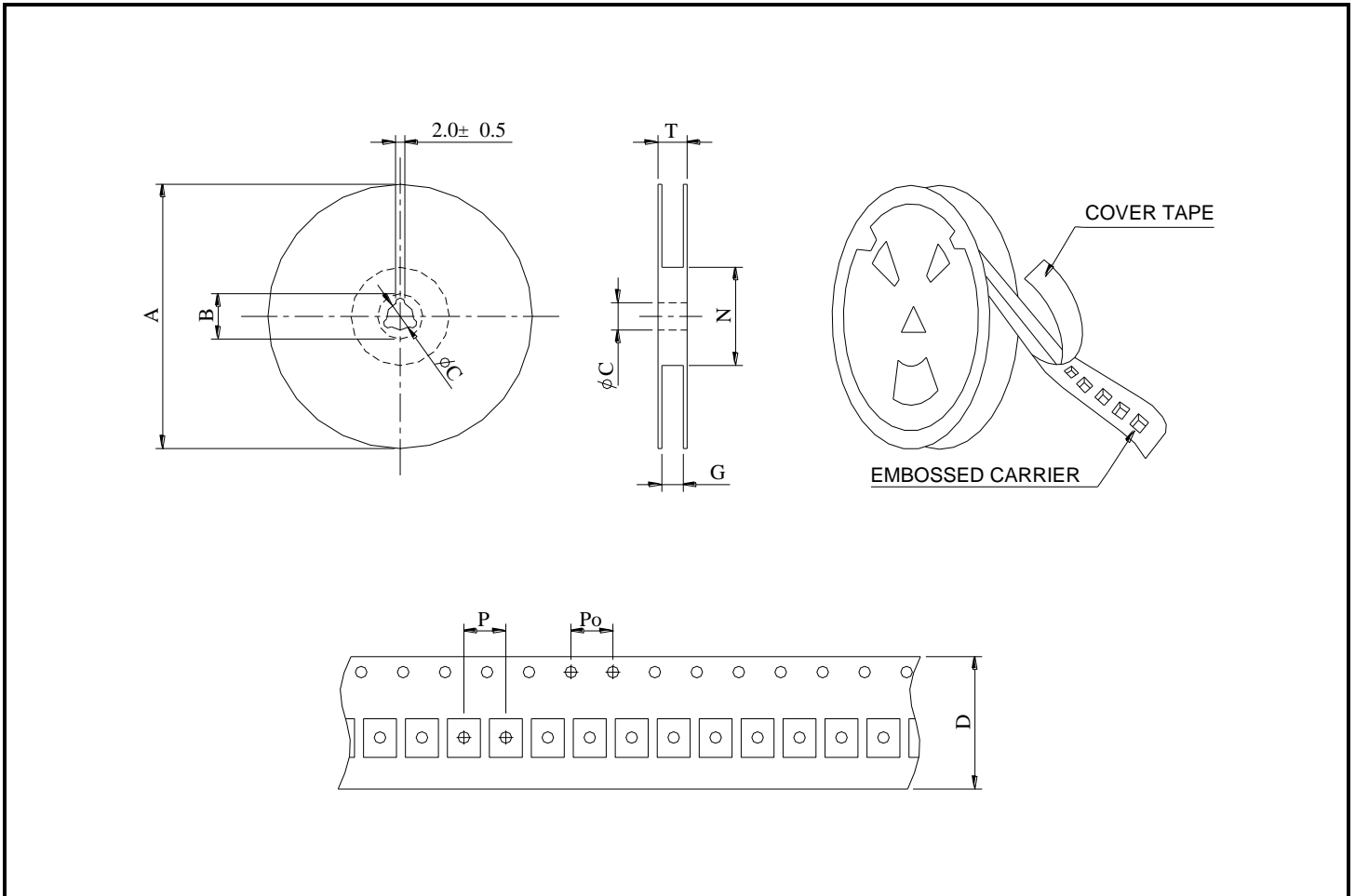
TEST EQUIPMENT : HP-4291A



SRIDB6560 SERIES ~ Balun Common Mode Chokes



PACKAGING SPECIFICATION



SERIES	STAYLE	Q'TY (PCS)	DIMENSIONS (m/m)								
			A	B±0.8	C±0.5	D	G ⁺⁰	N ⁰	P	Po	T
SRIDB6560A	12	2000	330	21	13	12	12.4	75	8	4	16.4

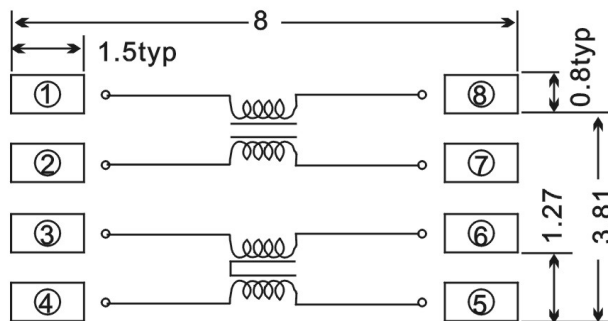


SRIDB6560 SERIES ~ Balun Common Mode Chokes

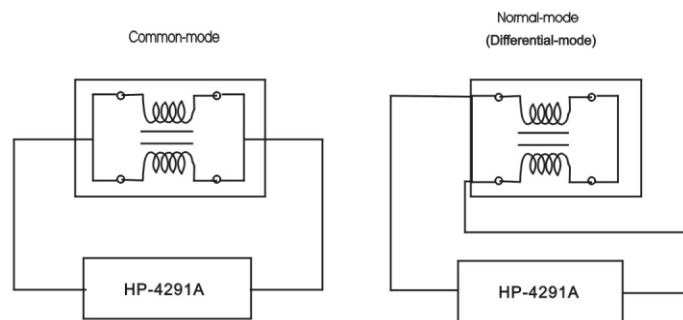


RECOMMENDED PC BOARD PATTERN (unit:mm)

SRIDB 6560A/SRIDB 6560R



MEASURING CIRCUIT





SRIDB6560 SERIES ~ Balun Common Mode Chokes

TYPICAL ELECTRICAL CHARACTERISTICS

SRIDB 6560A SERIES COMMON MODE vs. NORMAL MODE CHARACTERISTICS

