



**Coilmaster Electronics Co., Ltd.**  
9F-3 No.398, Huan Bei Rd. Chung Li City, Taoyuan 320, Taiwan

Email: [sales@bec.co.uk](mailto:sales@bec.co.uk)  
Web: [www.bec.co.uk](http://www.bec.co.uk)



## SEP3212EB SERIES~ High Current SMD Power Inductors



### PART NUMBERING SYSTEM

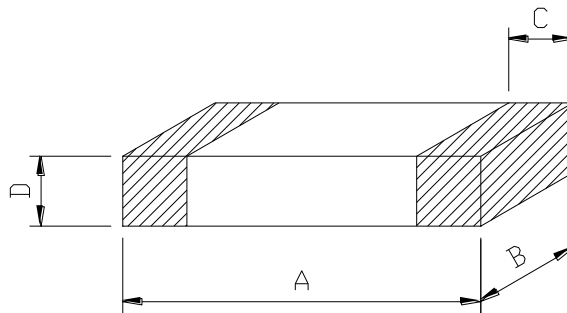
|            |               |   |             |   |           |
|------------|---------------|---|-------------|---|-----------|
| <b>SEP</b> | <b>3212EB</b> | — | <b>1R0M</b> | — | <b>LF</b> |
| TYPE       | DIMENSIONS    |   | INDUCTANCE  |   | LEAD FREE |

### FEATURES :

- Magnetically Molding High Current Power Inductors .
- Low profile ( 1.2mm max. height ) and 3.2 mm (Length) \* 2.5mm (Width) compact original design .
- Low DC resistance and Suitable for large current .
- Low acoustic noise and low leakage flux noise by shielded construction .
- Ideal for DC – DC converter inductor application in hand help personal Computer ,etc .
- Halogen Free , 100% lead ( Pb) Free and RoHS compliant .

### SHAPES AND DIMENSIONS :

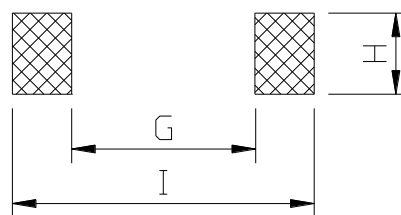
UNIT : mm



**A=3.20±0.3 B=2.50±0.3 C=0.50±0.3 D=1.20Max.**

### RECOMMENDED PATTERNS

UNIT : mm



**H=2.0 G= 1.2 I = 2.8**

## SEP3212EB SERIES~ High Current SMD Power Inductors

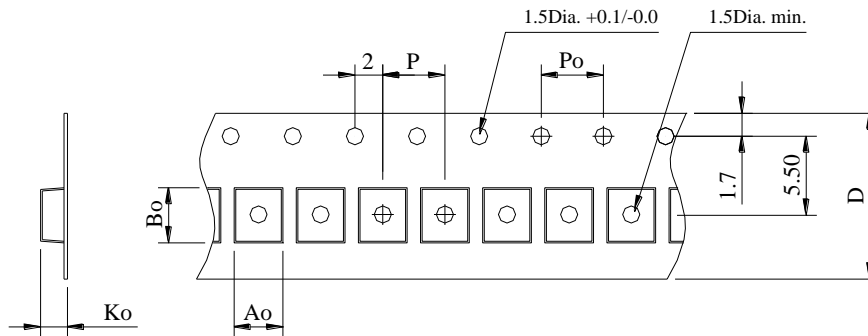


### SPECIFICATION TABLE

| PART NUMBER       | INDUCTANCE<br>( $\mu\text{H}$ ) | Isat ( A )<br>(Max.) | Irms ( A )<br>(Max.) | DCR (m $\Omega$ )<br>(Typ.) | DCR (m $\Omega$ )<br>(Max.) |
|-------------------|---------------------------------|----------------------|----------------------|-----------------------------|-----------------------------|
| SEP3212EB-R47M-LF | 0.47 $\pm$ 20%                  | 7.00                 | 4.60                 | 19.0                        | 25.0                        |
| SEP3212EB-1R0M-LF | 1.0 $\pm$ 20%                   | 5.70                 | 3.70                 | 27.5                        | 34.0                        |
| SEP3212EB-1R5M-LF | 1.5 $\pm$ 20%                   | 4.00                 | 2.80                 | 51.0                        | 59.0                        |
| SEP3212EB-2R2M-LF | 2.2 $\pm$ 20%                   | 3.50                 | 2.70                 | 64.0                        | 73.0                        |

- Isat : DC current at which the inductance drops 30% (Max.) from its value without current.
- I rms : Average current for a 40°C temperature rise above 25°C ambient.
- Test Frequency at 2MHz / 0.2V
- Operating temperature range -40°C to +125°C , Electrical specifications at 25°C.

### PACKAGING SPECIFICATION



| STAYLE | Q' TY<br>(PCS) | DIMENSIONS (m/m) |               |                |               |               |             |
|--------|----------------|------------------|---------------|----------------|---------------|---------------|-------------|
|        |                | Ao               | Bo            | Ko             | P             | Po            | D           |
| 7"     | 3,000          | 2.8 $\pm$ 0.1    | 3.5 $\pm$ 0.1 | 1.34 $\pm$ 0.1 | 4.0 $\pm$ 0.1 | 4.0 $\pm$ 0.1 | 8 $\pm$ 0.2 |