



**Coilmaster Electronics Co., Ltd.**  
 9F-3 No.398, Huan Bei Rd. Chung Li City, Taoyuan 320,  
 Taiwan

Email: [sales@bec.co.uk](mailto:sales@bec.co.uk)  
 Web: [www.bec.co.uk](http://www.bec.co.uk)



## SEP2512EE SERIES~ High Current SMD Power Inductors



### PART NUMBERING SYSTEM

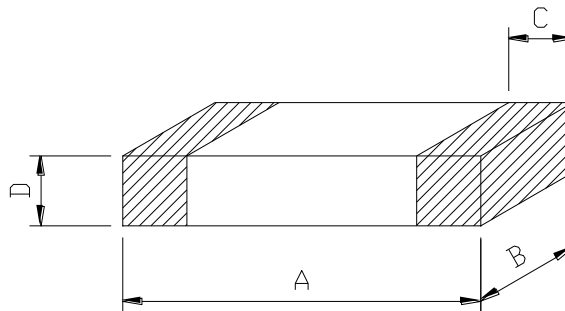
<b>SEP</b>	<b>2512EE</b>	—	<b>R47M</b>	—	<b>LF</b>
TYPE	DIMENSIONS		INDUCTANCE		LEAD FREE

### FEATURES :

- Magnetically High Current Power Inductors .
- Low profile ( 1.2mm max. height ) and 2.5 mm (Length) \* 2.0mm (Width) compact original design .
- Low DC resistance and Suitable for large current .
- Low acoustic noise and low leakage flux noise by shielded construction .
- Ideal for DC – DC converter inductor application in hand held personal Computer ,etc .
- Halogen Free , 100% lead ( Pb) Free and RoHS compliant .

### SHAPES AND DIMENSIONS :

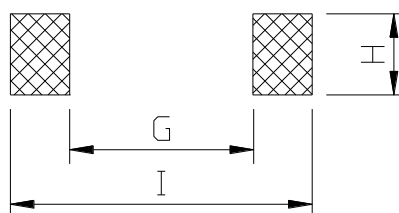
UNIT : mm



**A=2.50±0.3 B=2.00±0.3 C=0.60±0.2 D=1.20Max.**

### RECOMMENDED PATTERNS

UNIT : mm





**Coilmaster Electronics Co., Ltd.**  
9F-3 No.398, Huan Bei Rd. Chung Li City, Taoyuan 320,  
Taiwan

Email: [sales@bec.co.uk](mailto:sales@bec.co.uk)  
Web: [www.bec.co.uk](http://www.bec.co.uk)



## SEP2512EE SERIES~ High Current SMD Power Inductors



### SPECIFICATION TABLE

PART NUMBER	INDUCTANCE ( $\mu$ H)	Isat ( A ) (Max.)	Irms ( A ) (Max.)	DCR (m $\Omega$ ) (Typ.)	DCR (m $\Omega$ ) (Max.)
SEP2512EE-R33M-LF	0.33 $\pm$ 20%	5.70	4.30	24.0	20.0
SEP2512EE-R47M-LF	0.47 $\pm$ 20%	5.10	3.90	28.0	23.0
SEP2512EE-R68M-LF	0.68 $\pm$ 20%	4.40	3.60	32.0	27.0
SEP2512EE-R82M-LF	0.82 $\pm$ 20%	3.90	3.40	38.0	32.0
SEP2512EE-1R0M-LF	1.0 $\pm$ 20%	3.50	3.10	45.0	38.0
SEP2512EE-1R5M-LF	1.5 $\pm$ 20%	2.80	2.70	78.0	65.0
SEP2512EE-2R2M-LF	2.2 $\pm$ 20%	2.40	2.20	88.0	73.0
SEP2512EE-3R3M-LF	3.3 $\pm$ 20%	1.80	1.70	153.0	128.0
SEP2512EE-4R7M-LF	4.7 $\pm$ 20%	1.60	1.60	183.0	153.0

- I sat : DC current at which the inductance drops 30% (typ) from its value without current.
- I rms : Average current for a 40°C temperature rise above 25°C ambient.
- Test Frequency at 1MHz / 0.25V
- Operating temperature range -40°C to +125°C , Electrical specifications at 25°C.

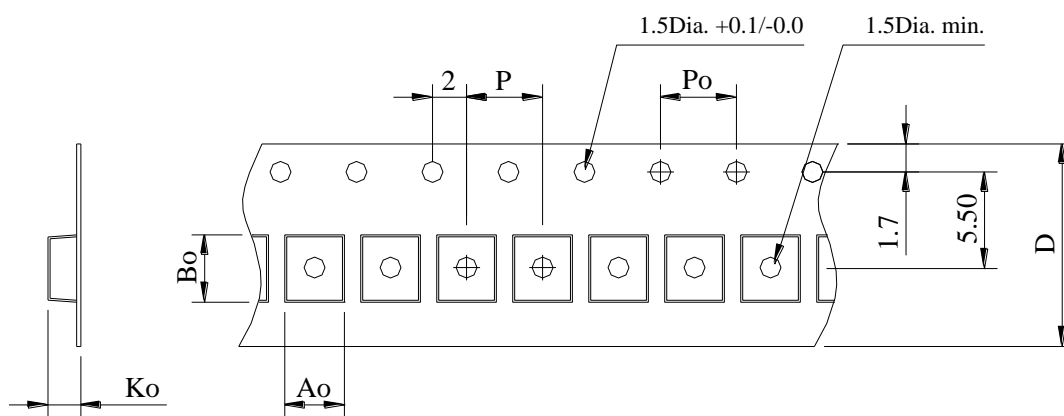


**Coilmaster Electronics Co., Ltd.**  
 9F-3 No.398, Huan Bei Rd. Chung Li City, Taoyuan 320,  
 Taiwan

Email: [sales@bec.co.uk](mailto:sales@bec.co.uk)  
 Web: [www.bec.co.uk](http://www.bec.co.uk)



## SEP2512EE SERIES~ High Current SMD Power Inductors



STAYLE	Q' TY (PCS)	DIMENSIONS (m/m)					
		$A_o$	$B_o$	$K_o$	$P$	$P_o$	$D$
13"	2,000	$2.27\pm 0.1$	$2.74\pm 0.1$	$1.3\pm 0.1$	$4.0\pm 0.1$	$4.0\pm 0.1$	$8\pm 0.2$