



**Coilmaster Electronics Co., Ltd.**  
9F-3 No.398, Huan Bei Rd. Chung Li City, Taoyuan 320, Taiwan

Email: [sales@bec.co.uk](mailto:sales@bec.co.uk)  
Web: [www.bec.co.uk](http://www.bec.co.uk)



## SEP2010ET SERIES~ High Current SMD Power Inductors



### PART NUMBERING SYSTEM

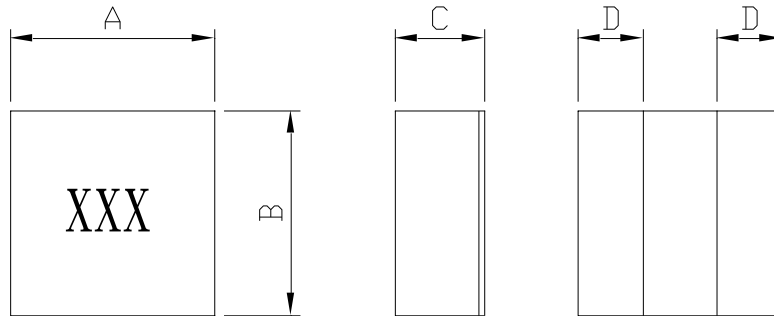
<b>SEP</b>	<b>2010ET</b>	—	<b>1R0M</b>	—	<b>LF</b>
TYPE	DIMENSIONS		INDUCTANCE		LEAD FREE

### FEATURES :

- Magnetically High Current Power Inductors .
- Low profile ( 1.0mm max. height ) and 2.0 mm (Length) \* 1.6mm (Width) compact original design .
- Low acoustic noise and low leakage flux noise by shielded construction .
- Halogen Free , 100% lead ( Pb ) Free and RoHS compliant .

### SHAPES AND DIMENSIONS :

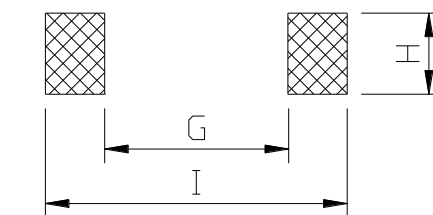
UNIT : mm



**A=2.00±0.2 B=1.60±0.2 C=1.0Max. D=0.60±0.2**

### RECOMMENDED PATTERNS

UNIT : mm



**H=1.8 G= 0.6 I = 2.2**



## SEP2010ET SERIES~ High Current SMD Power Inductors

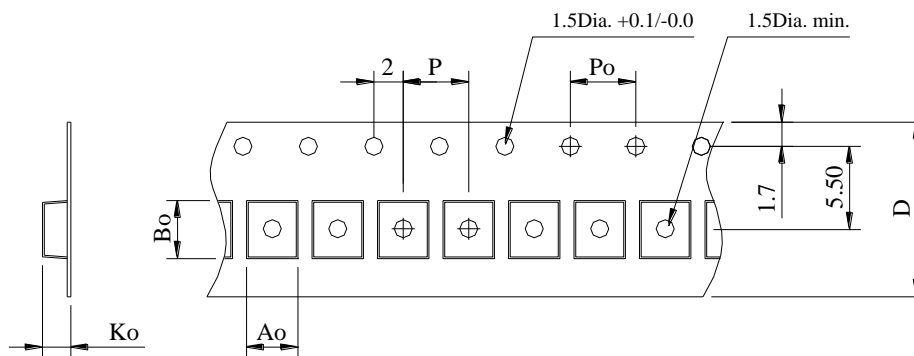


### SPECIFICATION TABLE

PART NUMBER	INDUCTANCE ( $\mu$ H)	Isat ( A ) (Typ.)	Irms ( A ) (Typ.)	DCR (m $\Omega$ ) (Max.)	TEST FREQ. ( f )
SEP2010ET-R33N-LF	0.33 $\pm$ 30%	4.50	2.50	53.0	1MHz/1V
SEP2010ET-R47N-LF	0.47 $\pm$ 30%	4.40	2.30	63.0	1MHz/1V
SEP2010ET-R56N-LF	0.56 $\pm$ 30%	4.10	2.10	73.0	1MHz/1V
SEP2010ET-R68N-LF	0.68 $\pm$ 30%	4.00	2.00	84.0	1MHz/1V
SEP2010ET-R82N-LF	0.82 $\pm$ 30%	3.30	1.90	92.0	1MHz/1V
SEP2010ET-1R0M-LF	1.0 $\pm$ 20%	3.20	1.80	104	1MHz/1V
SEP2010ET-1R2M-LF	1.2 $\pm$ 20%	2.90	1.50	136	1MHz/1V
SEP2010ET-1R5M-LF	1.5 $\pm$ 20%	2.50	1.30	180	1MHz/1V
SEP2010ET-2R2M-LF	2.2 $\pm$ 20%	1.90	1.10	270	1MHz/1V

- I sat : DC current at which the inductance drops 20% (typ) from its value without current.
- I rms : Average current for a 40°C temperature rise above 25°C ambient.
- Operating temperature range -40°C to +120°C , Electrical specifications at 25°C.

### PACKAGING SPECIFICATION



STAYLE	Q' TY (PCS)	DIMENSIONS (m/m)					
		Ao	Bo	Ko	P	Po	D
13"	3,000	1.90 $\pm$ 0.1	2.15 $\pm$ 0.1	1.15 $\pm$ 0.1	4.0 $\pm$ 0.1	4.0 $\pm$ 0.1	8 $\pm$ 0.2