



**Coilmaster Electronics Co., Ltd.**  
9F-3 No.398, Huan Bei Rd. Chung Li City, Taoyuan 320, Taiwan

Email: [sales@bec.co.uk](mailto:sales@bec.co.uk)  
Web: [www.bec.co.uk](http://www.bec.co.uk)



## SEP1206K SERIES~ High Current SMD Power Inductors



### PART NUMBERING SYSTEM

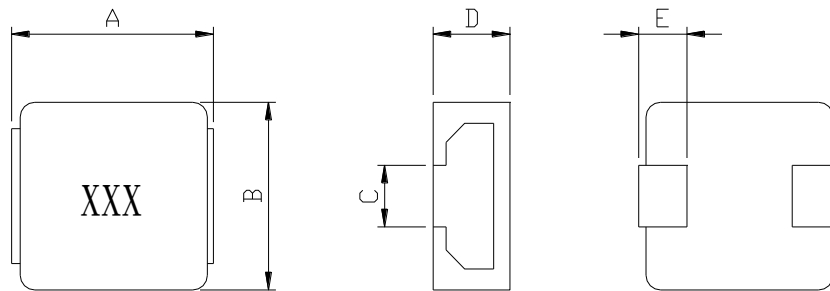
<b>SEP</b>	<b>1206K</b>	—	<b>1R0M</b>	—	<b>LF</b>
TYPE	DIMENSIONS		INDUCTANCE		LEAD FREE

### FEATURES :

- Low profile ( 5.7mm max. height ) and 13.6mm max. square.
- Magnetically shielded and low DC resistance .
- Suitable for large current .
- Ideal for DC – DC converter inductor application in hand help personal Computer , CD-ROM & DVD,etc .
- Large current handling capability .

### SHAPES AND DIMENSIONS :

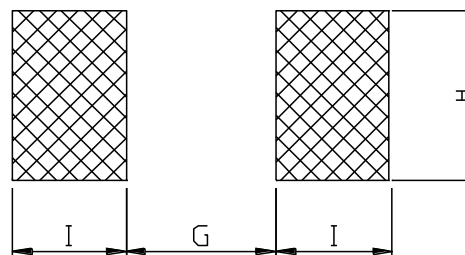
UNIT : mm



A=13.2±0.4 , B=12.7±0.3 , C= Note , D=5.70 Max. , E=2.2±0.3

### RECOMMENDED PATTERNS

UNIT : mm



H= 3.3 & 5.0      G= 7.9      I = 2.95



## SEP1206K SERIES~ High Current SMD Power Inductors

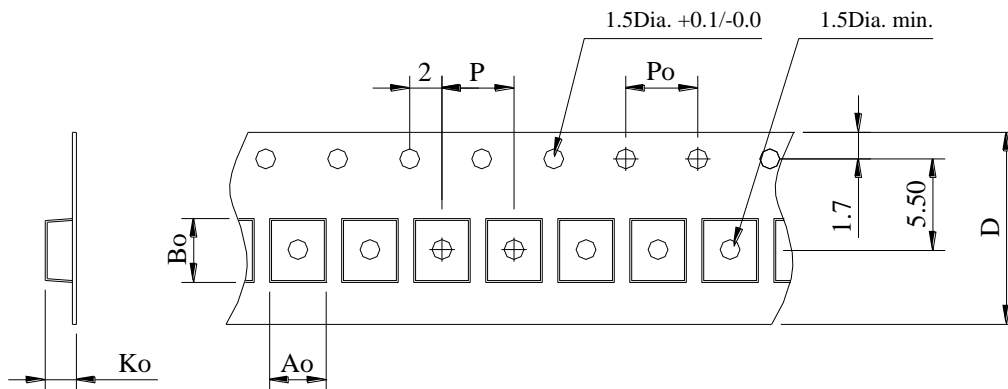


### SPECIFICATION TABLE

PART NUMBER	INDUCTANCE ( $\mu$ H)	I <sub>sat</sub> ( A ) (Typ.)	I <sub>rms</sub> ( A ) (Typ. )	DCR (m $\Omega$ ) (Max.)	TEST FREQ. ( f )
SEP1206K-R47M-LF	0.47 $\pm$ 20%	45.0	25.0	1.3	100KHz/0.1V
SEP1206K-1R0M-LF	1.0 $\pm$ 20%	35.0	20.0	2.5	100KHz/0.1V
SEP1206K-1R5M-LF	1.5 $\pm$ 20%	30.0	17.0	3.5	100KHz/0.1V
SEP1206K-2R2M-LF	2.2 $\pm$ 20%	25.0	14.0	5.0	100KHz/0.1V
SEP1206K-3R1M-LF	3.1 $\pm$ 20%	20.0	12.0	6.0	100KHz/0.1V
SEP1206K-3R6M-LF	3.6 $\pm$ 20%	18.0	11.0	7.0	100KHz/0.1V
SEP1206K-4R7M-LF	4.7 $\pm$ 20%	15.0	9.0	10.0	100KHz/0.1V

- I<sub>sat</sub> : DC current at which the inductance drops 20% (typ) from its value without current.
- I<sub>rms</sub> : Average current for a 40°C temperature rise above 25°C ambient.
- Operating temperature range -55°C to +125°C , Electrical specifications at 25°C.

### PACKAGING SPECIFICATION



STAYLE	Q'TY (PCS)	DIMENSIONS (m/m)					
		Ao	Bo	Ko	P	Po	D $\pm$ 0.3
13"	500	13.8	13.2	5.1	20	4.0	24