

SEP0804E SERIES~ High Current SMD Power Inductors



PART NUMBERING SYSTEM

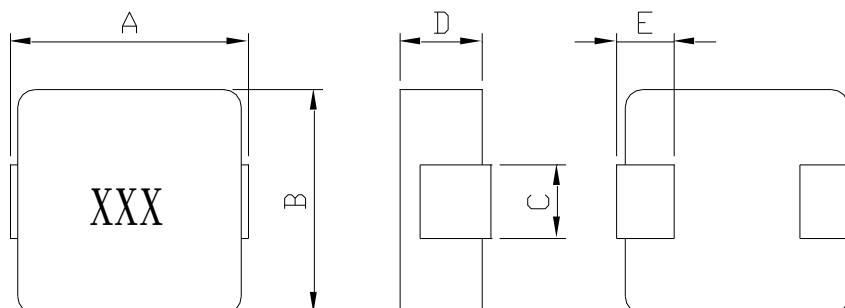
SEP	0804E	—	R33M	—	LF
TYPE	DIMENSIONS		INDUCTANCE		LEAD FREE

FEATURES :

- Magnetically High Current Power Inductors .
- Low profile (4.0mm max. height) with Halogen Free , 100% lead (Pb) Free and RoHS compliant .
- Low acoustic noise and low leakage flux noise by shielded construction .

SHAPES AND DIMENSIONS :

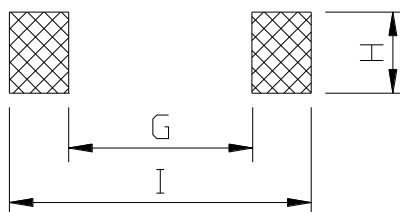
UNIT : mm



A=9.7±0.5 B=8.50 Max. C=3.0±0.5 D=4.0 Max. E=1.5±0.5 (for R22,R33,R47)
A=9.7±0.5 B=8.50 Max. C=5.0±0.5 D=4.0 Max. E=1.5±0.5

RECOMMENDED PATTERNS

UNIT : mm



H=3.7 Ref. G= 4.82 Ref. I = 9.65 Ref. (for R22,R33,R47)
H=5.33 Ref. G= 4.82 Ref. I = 9.65 Ref.

SEP0804E SERIES~ High Current SMD Power Inductors

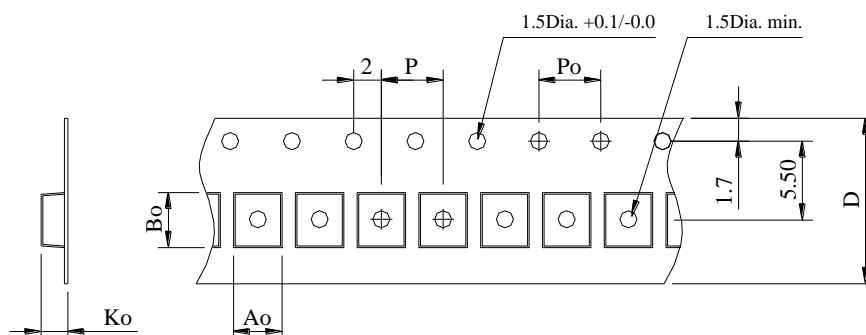


SPECIFICATION TABLE

PART NUMBER	INDUCTANCE (μ H)	I _{sat} (A) (Max.)	I _{rms} (A) (Typ.)	DCR (m Ω) (Max.)	TEST FREQ. (f)
SEP0804E-R22M-LF	0.22 \pm 20%	52.0	22.5	1.35	100KHz/0.25V
SEP0804E-R33M-LF	0.33 \pm 20%	40.0	18.5	2.15	100KHz/0.25V
SEP0804E-R47M-LF	0.47 \pm 20%	38.0	18.0	2.38	100KHz/0.25V
SEP0804E-R68M-LF	0.68 \pm 20%	26.0	15.0	3.22	100KHz/0.25V
SEP0804E-R82M-LF	0.82 \pm 20%	30.0	14.5	3.88	100KHz/0.25V
SEP0804E1R0M-LF	1.0 \pm 20%	24.0	14.0	4.63	100KHz/0.25V
SEP0804E-2R2M-LF	2.2 \pm 20%	19.0	10.0	9.41	100KHz/0.25V
SEP0804E-3R3M-LF	3.3 \pm 20%	17.0	8.30	14.9	100KHz/0.25V
SEP0804E-4R7M-LF	4.7 \pm 20%	14.5	7.20	22.6	100KHz/0.25V
SEP0804E-6R8M-LF	6.8 \pm 20%	11.0	6.10	33.4	100KHz/0.25V
SEP0804E-8R2M-LF	8.2 \pm 20%	9.0	5.00	45.0	100KHz/0.25V
SEP0804E-100M-LF	10 \pm 20%	7.5	4.50	51.8	100KHz/0.25V

- I_{sat} : DC current at which the inductance drops 25% (Max.) from its value without current.
- I_{rms} : Average current for a 40°C temperature rise above 25°C ambient.
- Operating temperature range -40°C to +120°C , Electrical specifications at 25°C.

PACKAGING SPECIFICATION



STAYLE	Q' TY (PCS)	DIMENSIONS (m/m)					
		Ao	Bo	Ko	P	Po	D
7"	800	8.7 \pm 0.1	10.2 \pm 0.1	4.1 \pm 0.1	16 \pm 0.1	4.0 \pm 0.1	24 \pm 0.3