

SDS124H SERIES ~ Shielded SMD Power Inductors

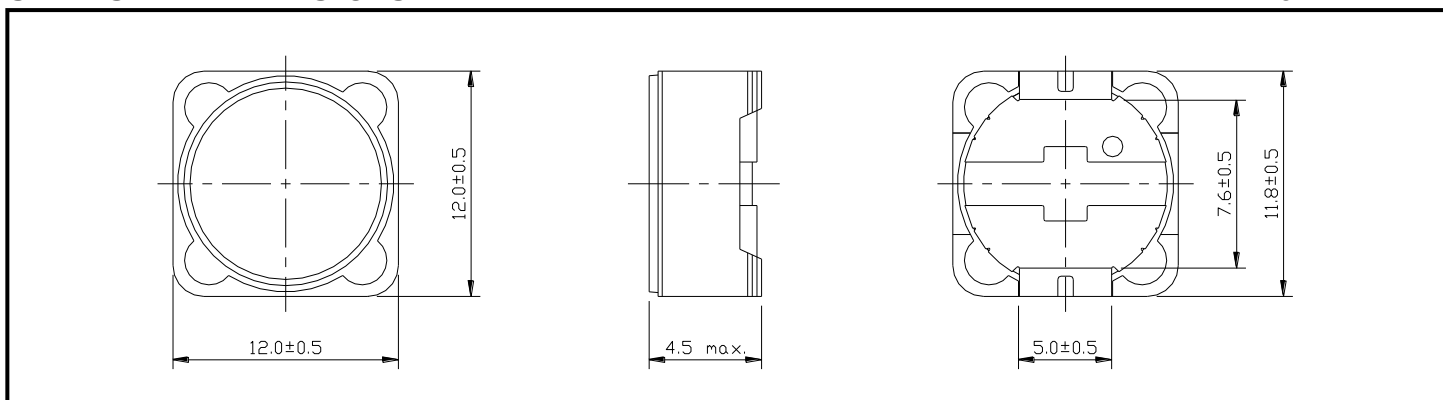


PART NUMBERING SYSTEM

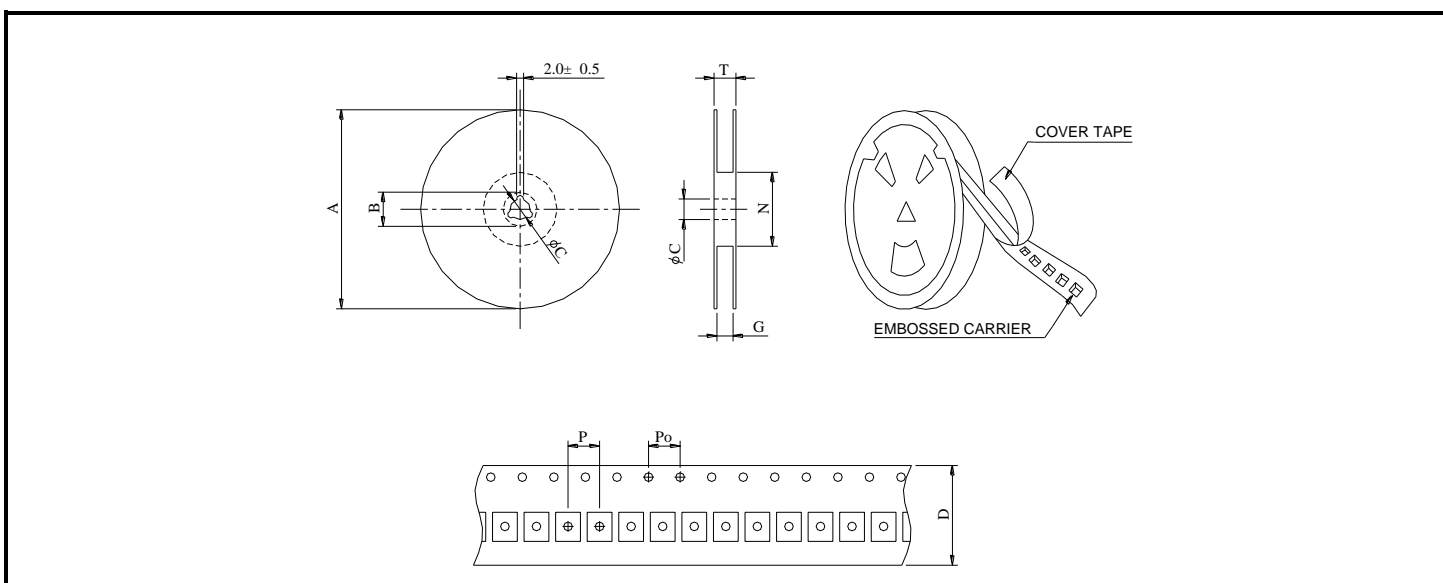
SDS	124H	—	101M	—	LF
TYPE	DIMENSIONS		INDUCTANCE		LEAD FREE

SHAPES AND DIMENSIONS

UNIT : mm



PACKAGING SPECIFICATION



SERIES	STAYLE	Q'TY (PCS)	DIMENSIONS (m/m)								
			A	B±0.8	C±0.5	D	G ⁺ ₀	N ⁰	P	Po	T
SDS124H	13-24	400	330	21	13	24	26	50	16	4	30.4



SDS124H SERIES ~ Shielded SMD Power Inductors



SPECIFICATION TABLE

PART NUMBER	INDUCTANCE (μ H) at 20°C	DCR (Ω) (Max.) at 20°C	Isat (A) (Max.)	Irms (A) (Max.)	TEST FREQ. (f)
SDS124H-R47N-LF	0.47 \pm 30%	27.0m	24.40	16.0	100KHz/0.25V
SDS124H-1R0N-LF	1.0 \pm 30%	36.0m	18.00	13.9	100KHz/0.25V
SDS124H-1R5N-LF	1.5 \pm 30%	51.0m	14.00	11.1	100KHz/0.25V
SDS124H-2R2N-LF	2.2 \pm 30%	71.0m	11.45	9.1	100KHz/0.25V
SDS124H-3R9N-LF	3.9 \pm 30%	15.0m	8.40	7.0	100KHz/0.25V
SDS124H-4R7N-LF	4.7 \pm 30%	16.2m	7.65	6.5	100KHz/0.25V
SDS124H-6R8N-LF	6.8 \pm 30%	21.7m	6.47	5.6	100KHz/0.25V
SDS124H-8R2N-LF	8.2 \pm 30%	26.0m	6.22	5.2	100KHz/0.25V
SDS124H-100M-LF	10 \pm 20%	28.0m	5.80	4.5	100KHz/0.25V
SDS124H-120M-LF	12 \pm 20%	38.0m	4.96	4.1	100KHz/0.25V
SDS124H-150M-LF	15 \pm 20%	44.8m	4.62	3.6	100KHz/0.25V
SDS124H-180M-LF	18 \pm 20%	56.4m	4.32	3.4	100KHz/0.25V
SDS124H-220M-LF	22 \pm 20%	64.8m	3.83	3.2	100KHz/0.25V
SDS124H-270M-LF	27 \pm 20%	80.0m	3.44	2.8	100KHz/0.25V
SDS124H-330M-LF	33 \pm 20%	97.0m	3.12	2.6	100KHz/0.25V
SDS124H-390M-LF	39 \pm 20%	0.132	2.85	2.3	100KHz/0.25V
SDS124H-470M-LF	47 \pm 20%	0.150	2.63	2.2	100KHz/0.25V
SDS124H-560M-LF	56 \pm 20%	0.174	2.35	2.0	100KHz/0.25V
SDS124H-680M-LF	68 \pm 20%	0.220	2.13	1.8	100KHz/0.25V
SDS124H-820M-LF	82 \pm 20%	0.256	1.94	1.7	100KHz/0.25V
SDS124H-101M-LF	100 \pm 20%	0.308	1.79	1.5	100KHz/0.25V
SDS124H-121M-LF	120 \pm 20%	0.374	1.65	1.3	100KHz/0.25V
SDS124H-151M-LF	150 \pm 20%	0.446	1.44	1.3	100KHz/0.25V
SDS124H-181M-LF	180 \pm 20%	0.602	1.30	1.1	100KHz/0.25V
SDS124H-221M-LF	220 \pm 20%	0.670	1.15	1.0	100KHz/0.25V
SDS124H-271M-LF	270 \pm 20%	0.870	1.09	0.88	100KHz/0.25V
SDS124H-331M-LF	330 \pm 20%	0.990	0.92	0.83	100KHz/0.25V
SDS124H-471M-LF	470 \pm 20%	1.491	0.74	0.68	100KHz/0.25V
SDS124H-681M-LF	680 \pm 20%	2.215	0.65	0.56	100KHz/0.25V
SDS124H-821M-LF	820 \pm 20%	2.351	0.62	0.53	100KHz/0.25V
SDS124H-102M-LF	1000 \pm 20%	3.477	0.53	0.44	100KHz/0.25V

- DC current at which the inductance drops 25% (typ) from its value without current.
- Operating temperature range -40°C to +125°C.