



## SDR53 SERIES ~ SMD Power Inductors

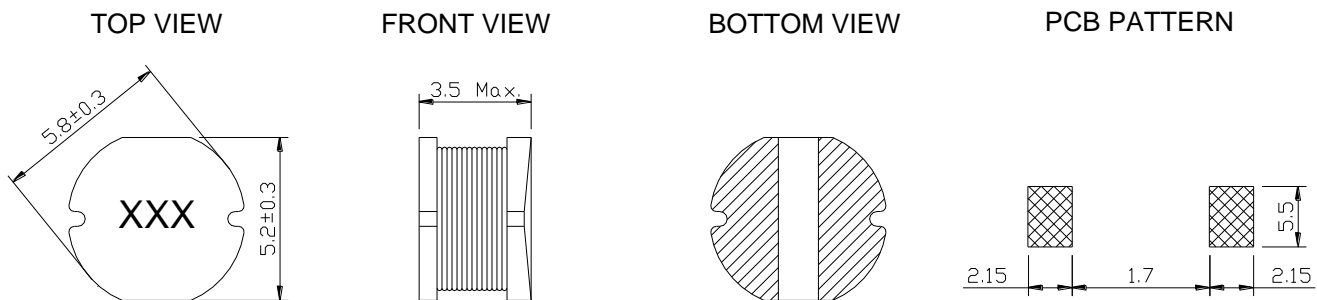


### PART NUMBERING SYSTEM

<b>SDR</b>	<b>5 3</b>	—	<b>100M</b>	—	<b>LF</b>
TYPE	DIMENSIONS		INDUCTANCE		LEAD FREE

### SHAPES AND DIMENSIONS

UNIT : mm



### FEATURES

- Available for lead free and RoHS compliant
- Excellent solder ability and high heat resistance
- Excellent terminal strength constructions
- Small diameter of only 5.8mm maximum and low profile of 3.5mm max.
- DC current at which the inductance drops 10% (typ) from its value without current.
- Operating temperature range -40°C to +125°C.
- Electrical specifications at 25°C.

### APPLICATION

- Input / output of DC/DC converters
- Power supplies for LCD TVs , Car radios , Camcorders , Portable communication equipment



## SDR53 SERIES ~ SMD Power Inductors



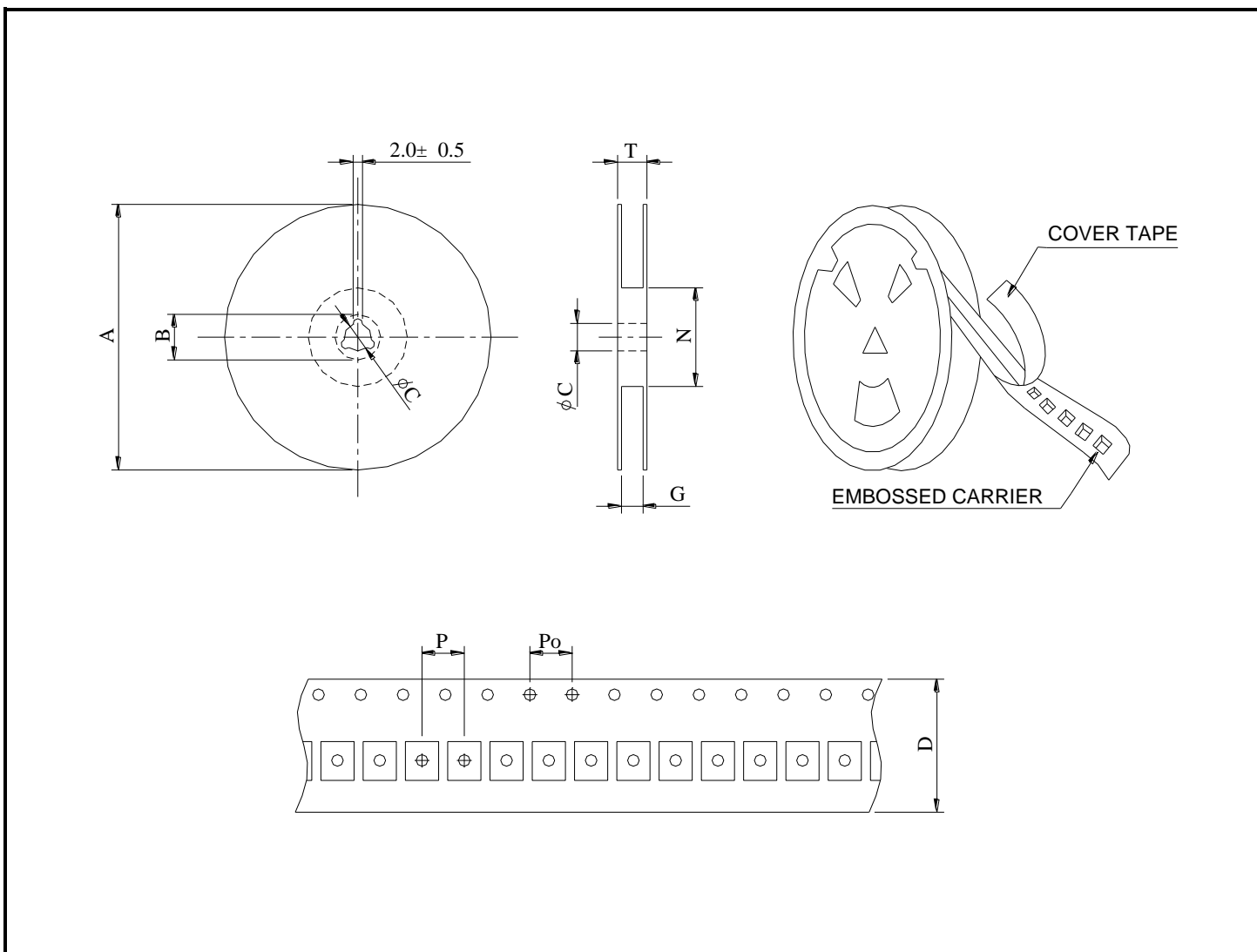
### SPECIFICATION TABLE

PART NUMBER	INDUCTANCE ( $\mu$ H)	DCR ( $\Omega$ ) (Max.)	IDC ( A ) (Max.)	TEST FREQ. (MHz)
SDR53-1R0M-LF	1.0 $\pm$ 20%	0.03	4.50	7.96
SDR53-1R2M-LF	1.2 $\pm$ 20%	0.03	4.20	7.96
SDR53-1R5M-LF	1.5 $\pm$ 20%	0.03	4.10	7.96
SDR53-1R8M-LF	1.8 $\pm$ 20%	0.03	3.70	7.96
SDR53-2R2M-LF	2.2 $\pm$ 20%	0.03	3.50	7.96
SDR53-2R7M-LF	2.7 $\pm$ 20%	0.04	3.20	7.96
SDR53-3R3M-LF	3.3 $\pm$ 20%	0.05	2.80	7.96
SDR53-3R9M-LF	3.9 $\pm$ 20%	0.06	2.60	7.96
SDR53-4R7M-LF	4.7 $\pm$ 20%	0.07	2.50	7.96
SDR53-5R6M-LF	5.6 $\pm$ 20%	0.08	2.40	7.96
SDR53-6R8M-LF	6.8 $\pm$ 20%	0.09	2.20	7.96
SDR53-8R2M-LF	8.2 $\pm$ 20%	0.10	2.00	7.96
SDR53-100M-LF	10 $\pm$ 20%	0.12	1.80	2.52
SDR53-120M-LF	12 $\pm$ 20%	0.13	1.75	2.52
SDR53-150M-LF	15 $\pm$ 20%	0.15	1.70	2.52
SDR53-180M-LF	18 $\pm$ 20%	0.18	1.60	2.52
SDR53-220M-LF	22 $\pm$ 20%	0.22	1.50	2.52
SDR53-270M-LF	27 $\pm$ 20%	0.24	1.40	2.52
SDR53-330L-LF	33 $\pm$ 15%	0.30	1.10	2.52
SDR53-390L-LF	39 $\pm$ 15%	0.40	1.00	2.52
SDR53-470L-LF	47 $\pm$ 15%	0.43	0.90	2.52
SDR53-560K-LF	56 $\pm$ 10%	0.50	0.85	2.52
SDR53-680K-LF	68 $\pm$ 10%	0.60	0.80	2.52
SDR53-820K-LF	82 $\pm$ 10%	0.80	0.65	2.52
SDR53-101K-LF	100 $\pm$ 10%	0.90	0.60	1KHz
SDR53-121K-LF	120 $\pm$ 10%	1.00	0.58	1KHz
SDR53-151K-LF	150 $\pm$ 10%	1.30	0.43	1KHz
SDR53-181K-LF	180 $\pm$ 10%	1.50	0.41	1KHz
SDR53-221K-LF	220 $\pm$ 10%	2.00	0.38	1KHz
SDR53-271K-LF	270 $\pm$ 10%	2.50	0.35	1KHz
SDR53-331K-LF	330 $\pm$ 10%	3.20	0.28	1KHz
SDR53-391K-LF	390 $\pm$ 10%	3.50	0.26	1KHz
SDR53-471K-LF	470 $\pm$ 10%	4.20	0.20	1KHz
SDR53-561K-LF	560 $\pm$ 10%	4.50	0.19	1KHz
SDR53-681K-LF	680 $\pm$ 10%	6.00	0.18	1KHz
SDR53-821K-LF	820 $\pm$ 10%	6.50	0.15	1KHz
SDR53-102K-LF	1000 $\pm$ 10%	8.00	0.13	1KHz

## SDR53 SERIES ~ SMD Power Inductors



### PACKAGING SPECIFICATION



SERIES	Q'TY (PCS)	DIMENSIONS (m/m)								
		A	B±0.8	C±0.5	D	G <sup>+0</sup>	N <sup>0</sup>	P	Po	T
SDR53	1500	330	21	13	12	14	50	8	4	18.4