



RJ3248F SERIES ~

THROUGH HOLE TAB DOWN RJ-45 JACK WITH Gigabit MAGNETIC



RoHS Compliant

FEATURES

- Single port Tab-Down with internal magnetics for 1000 Base-Tx
- 350uH minimum OCL with 8mA bias current
- Internal magnetics options available
- Minimum 1500Vrms isolation

ELECTRICAL SPECIFICATIONS

P/N	Insertion Loss (dB Typ.)	Return Loss 100Ω (dB Typ.) MHz				Common Mode Rejection (dB Typ.) MHz			Cross Talk (dB Typ.) MHz			Hipot Vrms Typ.	
		0.3-100MHz	1~30	40	50	60-80	30	60	100	30	60		100
		RJ3248F-01GYD5-LF	-1.2	-16	-13.5	-11.5	-10	-35	-32	-30	-40		-36
RJ3248F-02GYD5-LF	-1.2	-16	-13.5	-11.5	-10	-35	-32	-30	-40	-36	-30	1500	
RJ3248F-03GYD5-LF	-1.2	-16	-13.5	-11.5	-10	-35	-32	-30	-40	-36	-30	1500	
RJ3248F-04GYD5-LF	-1.2	-16	-13.5	-11.5	-10	-35	-32	-30	-40	-36	-30	1500	
RJ3248F-01ND5-LF	-1.2	-14	-13.5	-11.5	-10	-35	-32	-30	-40	-36	-30	1500	
RJ3248F-02ND5-LF	-1.2	-14	-13.5	-11.5	-10	-35	-32	-30	-40	-36	-30	1500	
RJ3248F-03ND5-LF	-1.2	-14	-13.5	-11.5	-10	-35	-32	-30	-40	-36	-30	1500	
RJ3248F-04ND5-LF	-1.2	-14	-13.5	-11.5	-10	-35	-32	-30	-40	-36	-30	1500	



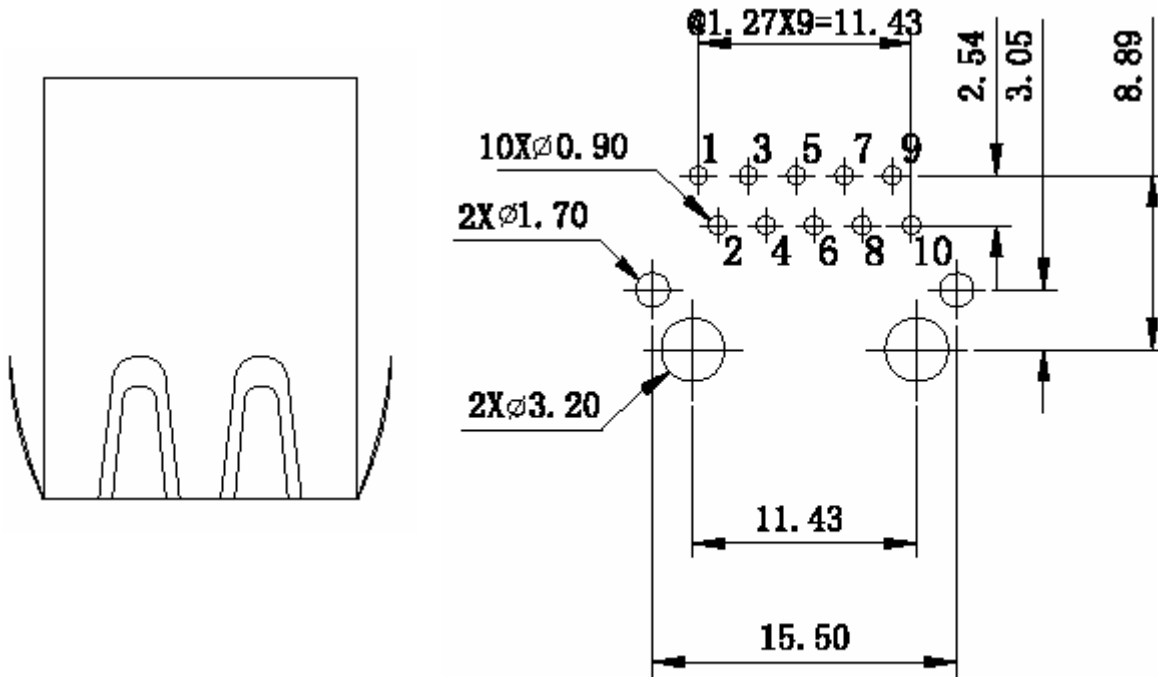
RJ3248F SERIES ~

THROUGH HOLE TAB DOWN RJ-45 JACK WITH Gigabit MAGNETIC

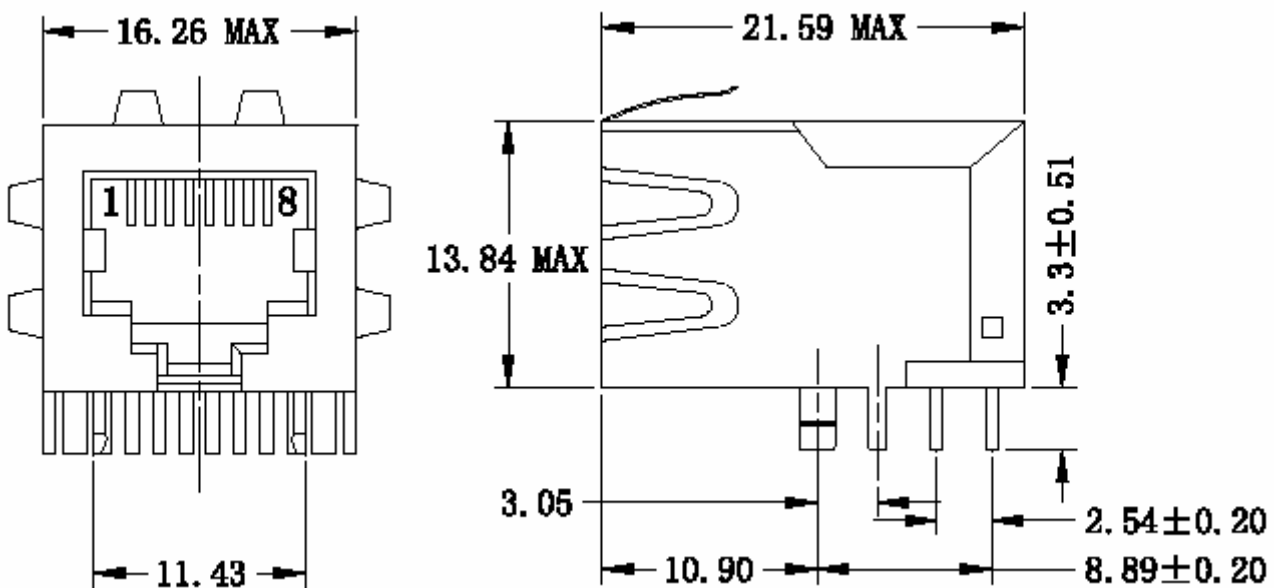


RoHS Compliant

NO LED JACK



PC Board Layout
Component Side Shown



※Unit : m/m , all tolerances are ±0.25

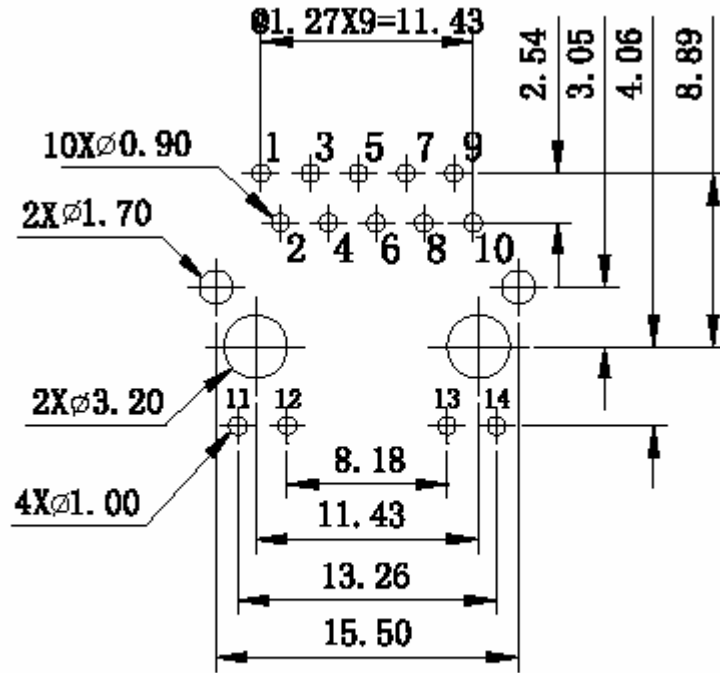
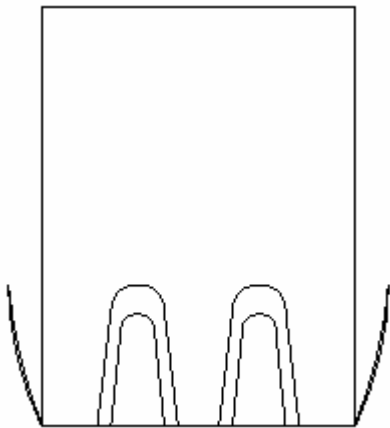
RJ3248F SERIES ~

THROUGH HOLE TAB DOWN RJ-45 JACK WITH Gigabit MAGNETIC

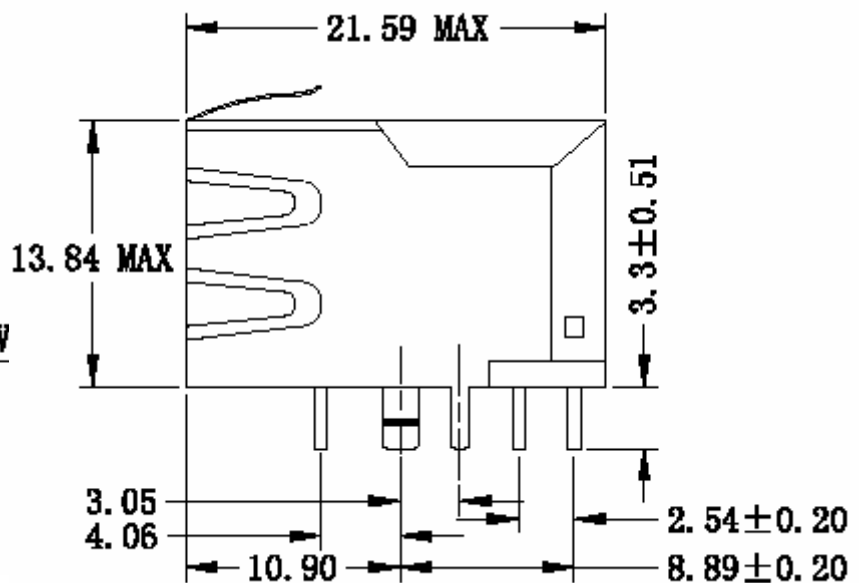
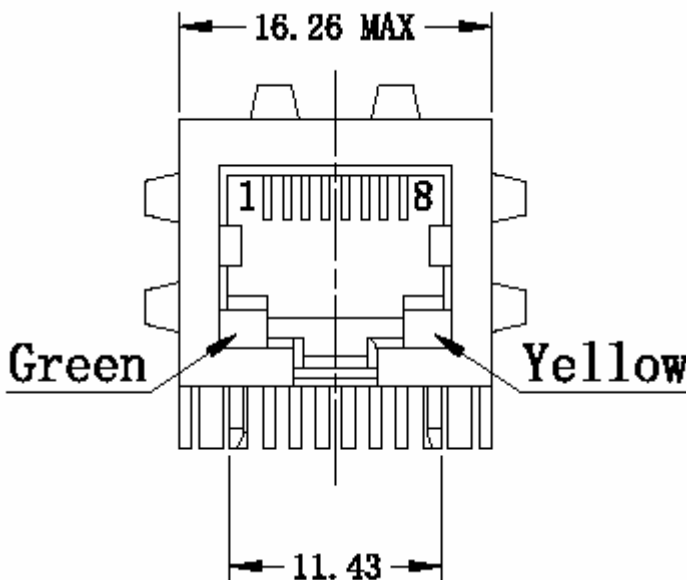


RoHS Compliant

LED JACK



PC Board Layout
 Component Side Shown



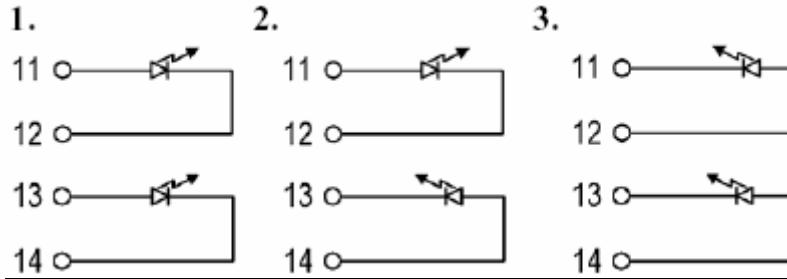
※Unit : m/m , all tolerances are ±0.25

RJ3248F SERIES ~

THROUGH HOLE TAB DOWN RJ-45 JACK WITH Gigabit MAGNETIC



RoHS Compliant

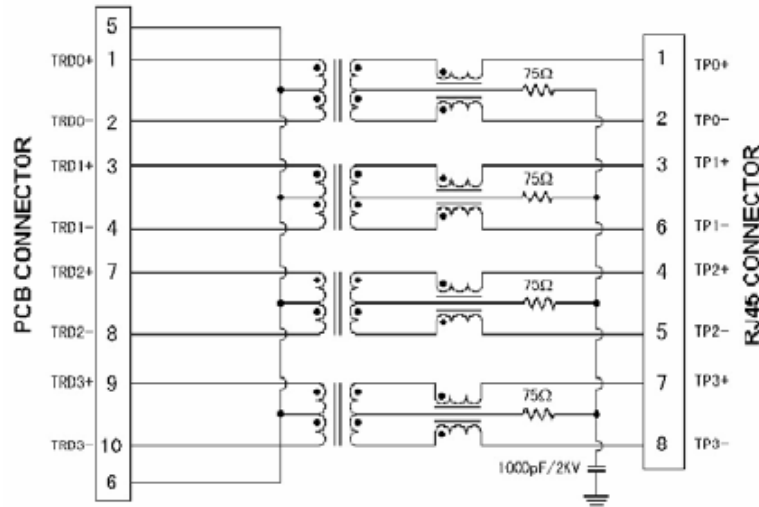


Standard LED	Wavelength	Forward V (Max)
Yellow	585 nm	2.5V
Green	565 nm	2.5V

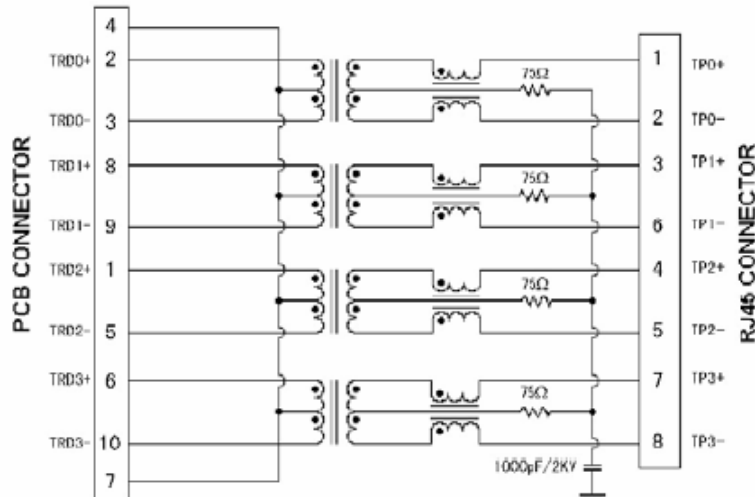
※With a forward current of 20mA

SCHEMATICS

RJ3248F-01



RJ3248F-02





RJ3248F SERIES ~

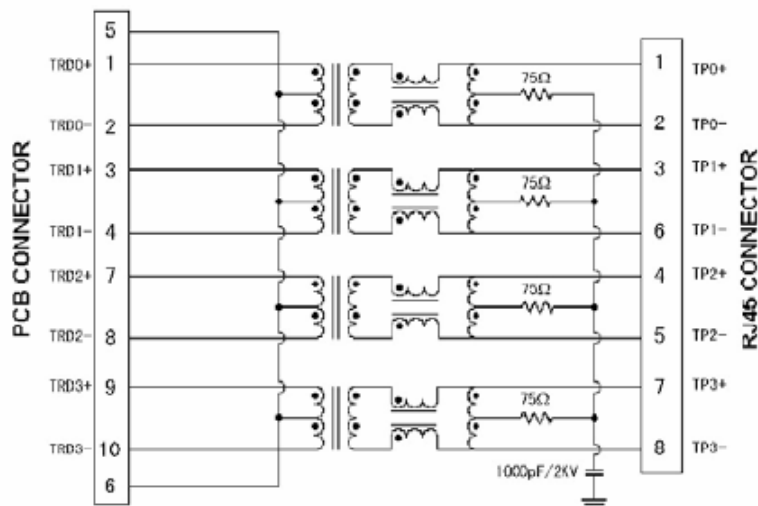
THROUGH HOLE TAB DOWN RJ-45 JACK WITH GIGABIT MAGNETIC



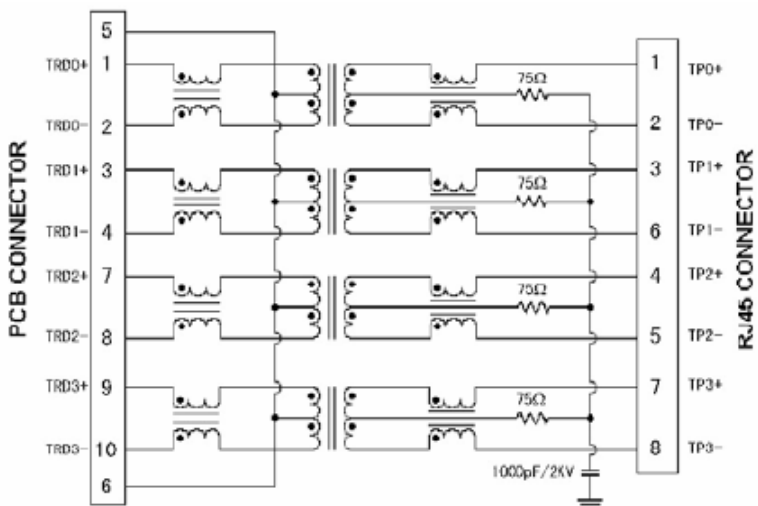
RoHS Compliant

SCHEMATICS

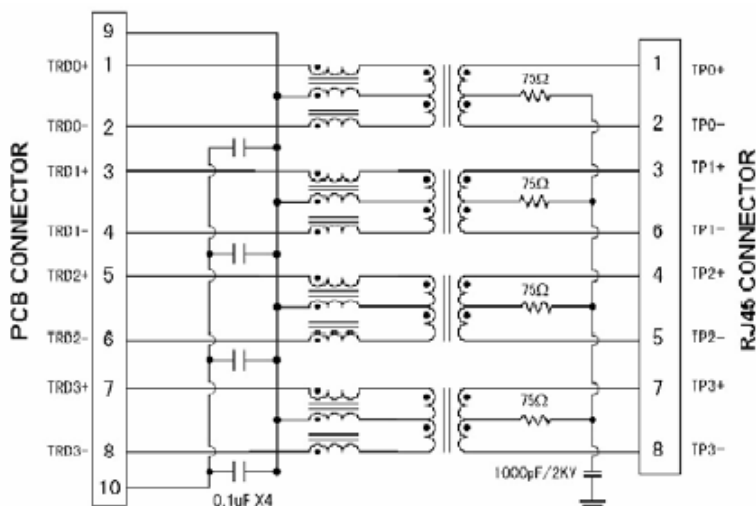
RJ3248F-03



RJ3248F-04



RJ3248F-07





RJ3248F SERIES ~

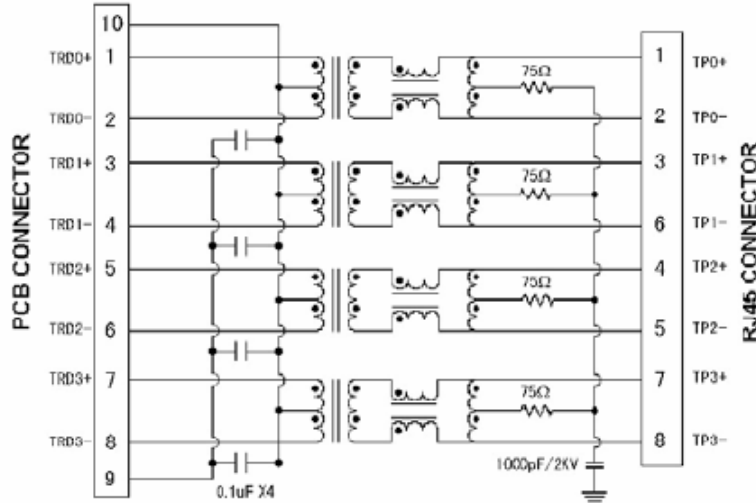
THROUGH HOLE TAB DOWN RJ-45 JACK WITH Gigabit MAGNETIC



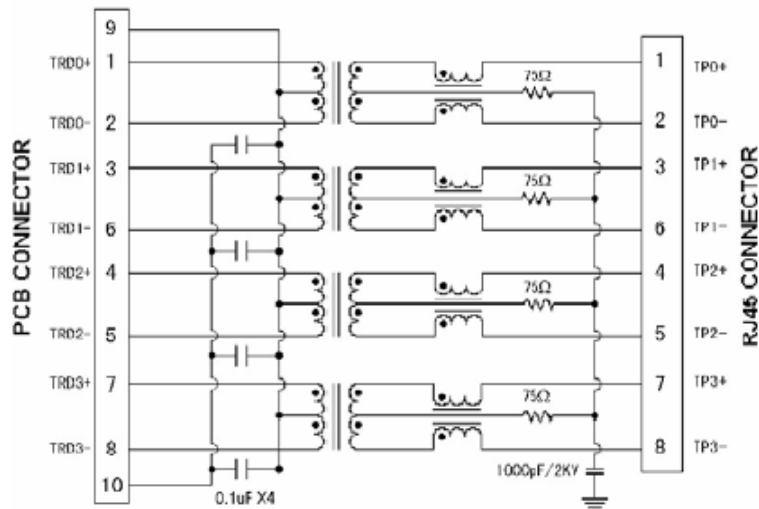
RoHS Compliant

SCHEMATICS

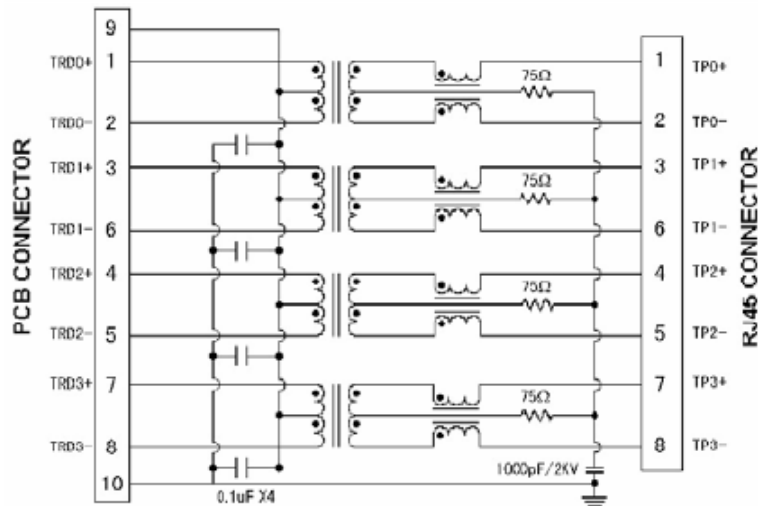
RJ3248F-08



RJ3248F-09



RJ3248F-09A

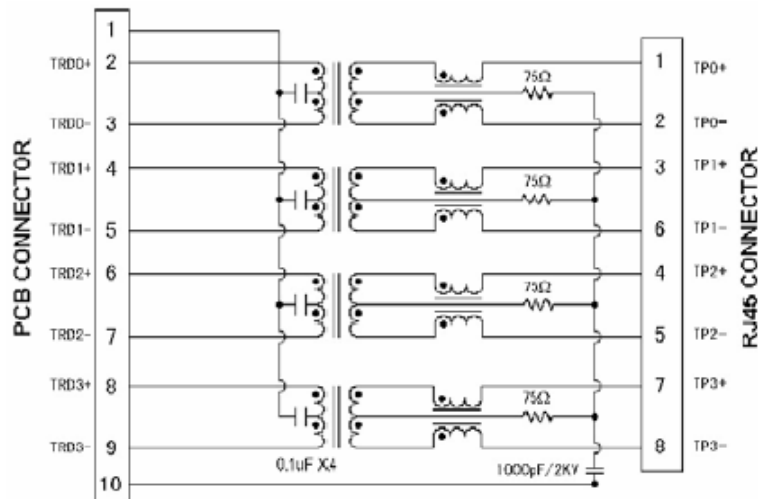


RJ3248F SERIES ~

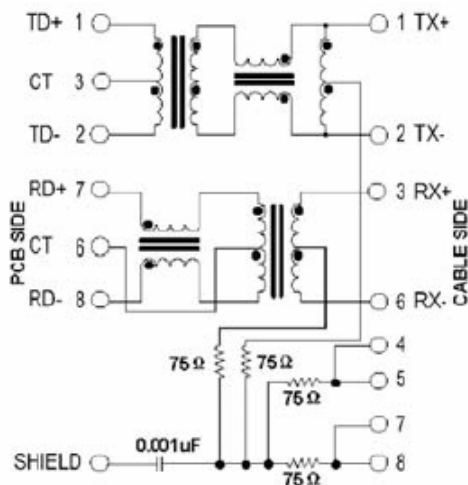
THROUGH HOLE TAB DOWN RJ-45 JACK WITH GIGABIT MAGNETIC

SCHEMATICS

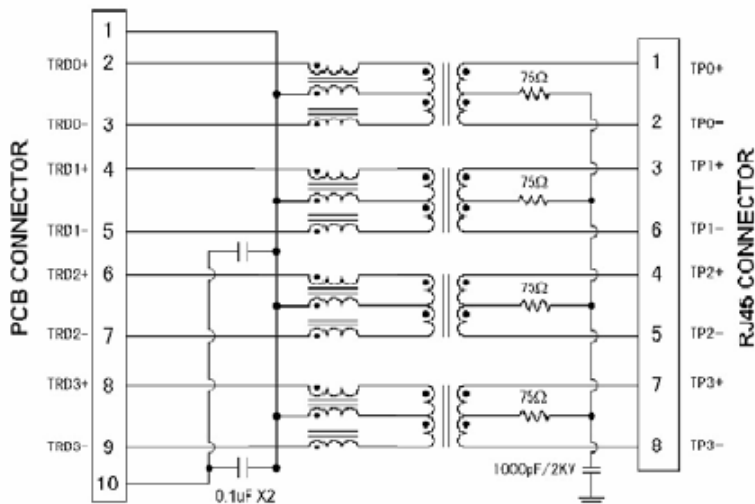
RJ3248F-10



RJ3248F-11



RJ3248F-12



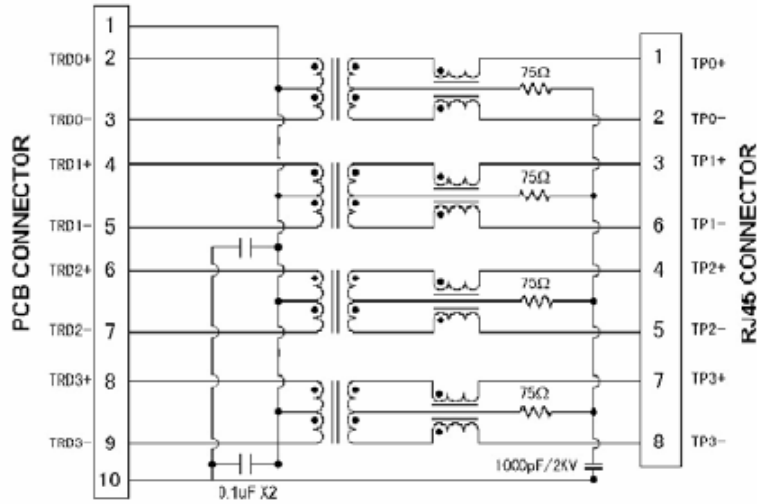
RoHS Compliant

RJ3248F SERIES ~

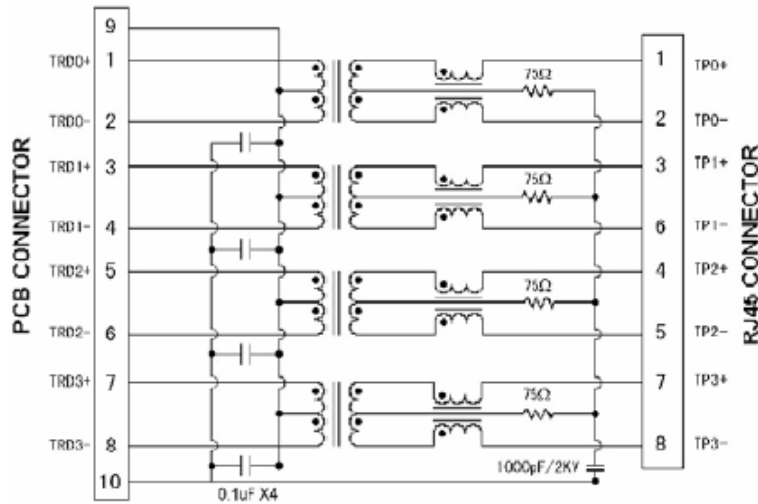
THROUGH HOLE TAB DOWN RJ-45 JACK WITH GIGABIT MAGNETIC

SCHEMATICS

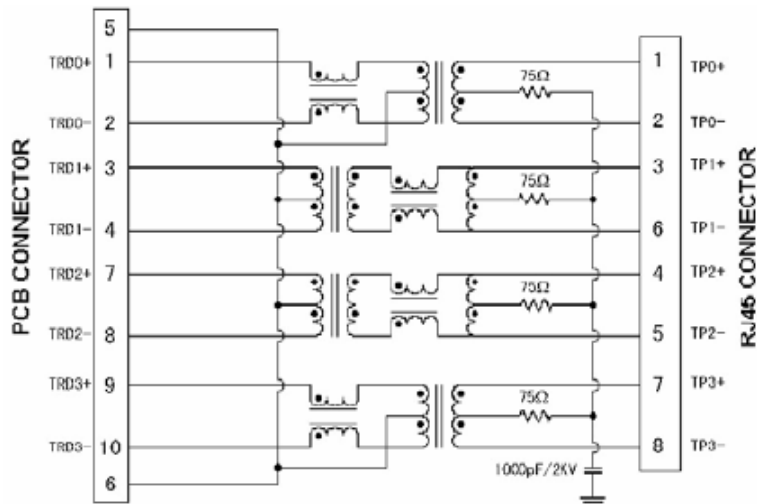
RJ3248F-13



RJ3248F-14



RJ3248F-15



RoHS Compliant

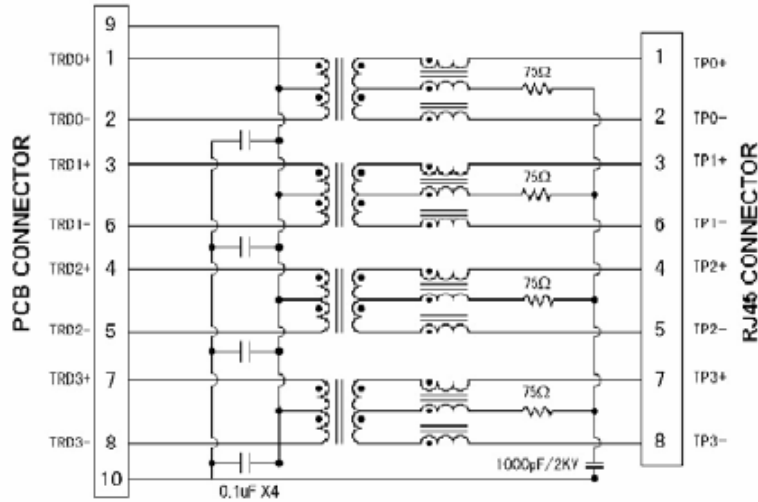


RJ3248F SERIES ~

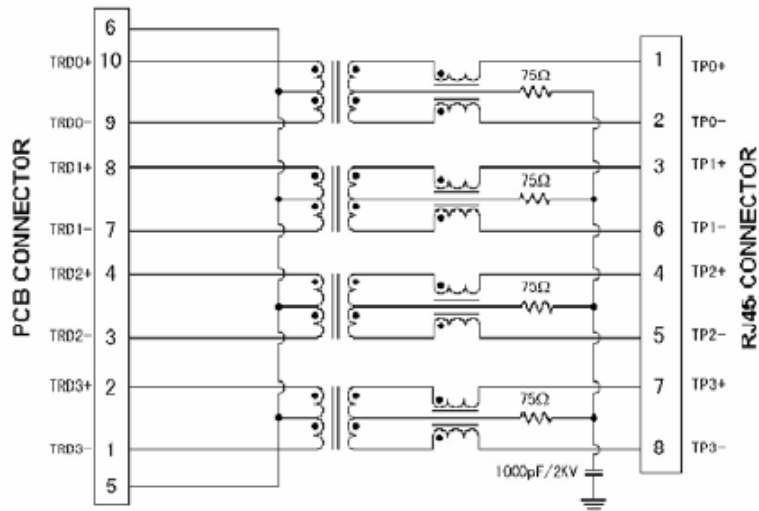
THROUGH HOLE TAB DOWN RJ-45 JACK WITH GIGABIT MAGNETIC

SCHEMATICS

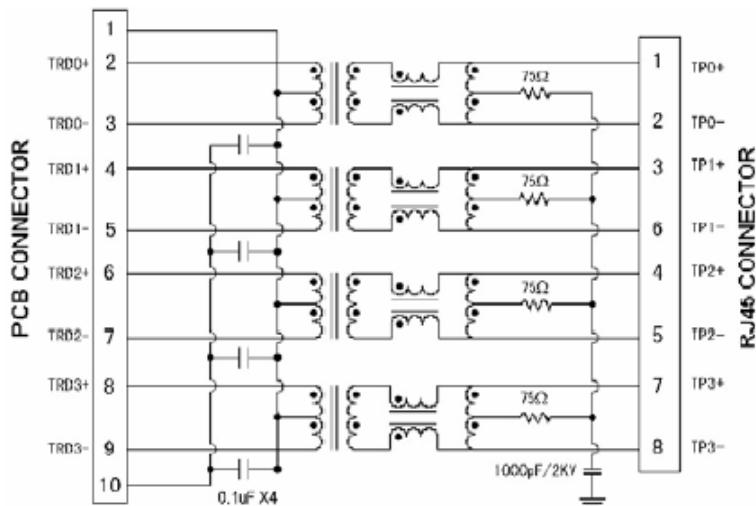
RJ3248F-16



RJ3248F-17



RJ3248F-18



RoHS Compliant

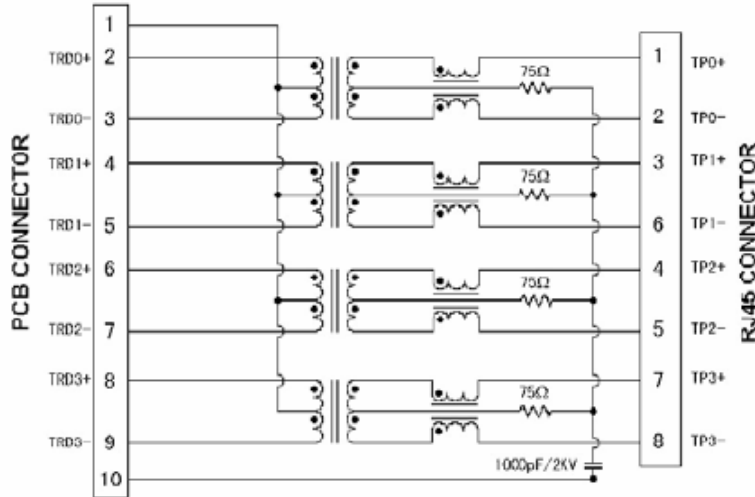


RJ3248F SERIES ~

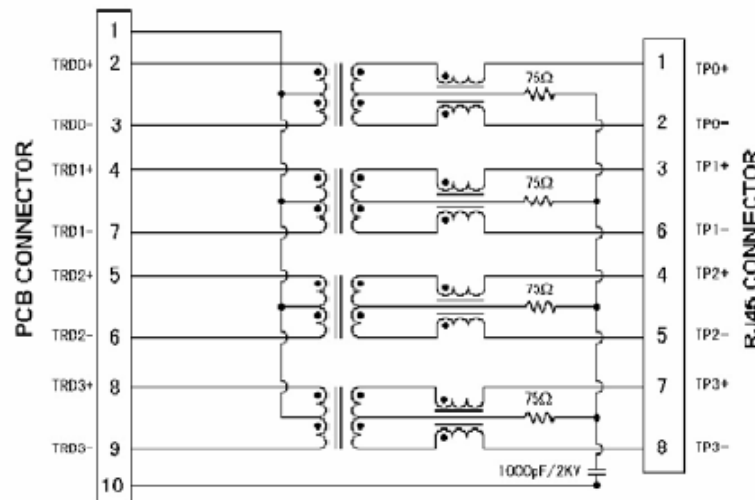
THROUGH HOLE TAB DOWN RJ-45 JACK WITH GIGABIT MAGNETIC

SCHEMATICS

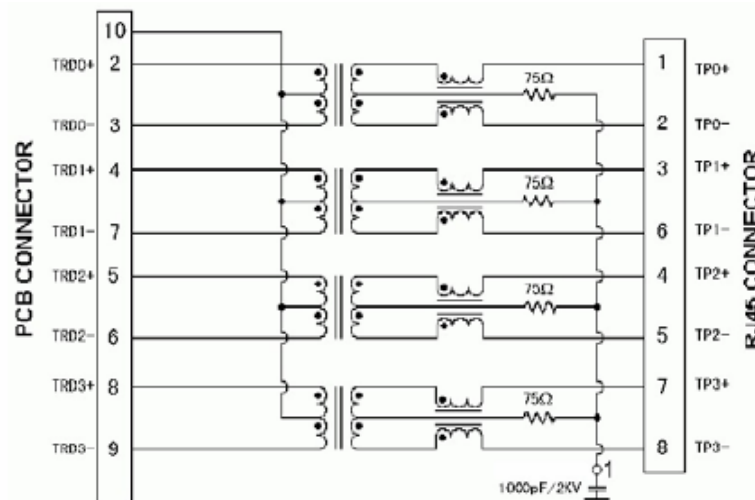
RJ3248F-19



RJ3248F-20



RJ3248F-21



RoHS Compliant



RJ3248F SERIES ~

THROUGH HOLE TAB DOWN RJ-45 JACK WITH Gigabit MAGNETIC

SCHEMATICS

RJ3248F-22



RoHS Compliant

