

RDS664D SERIES ~ Through Hole Shielded Inductors



FEATURES

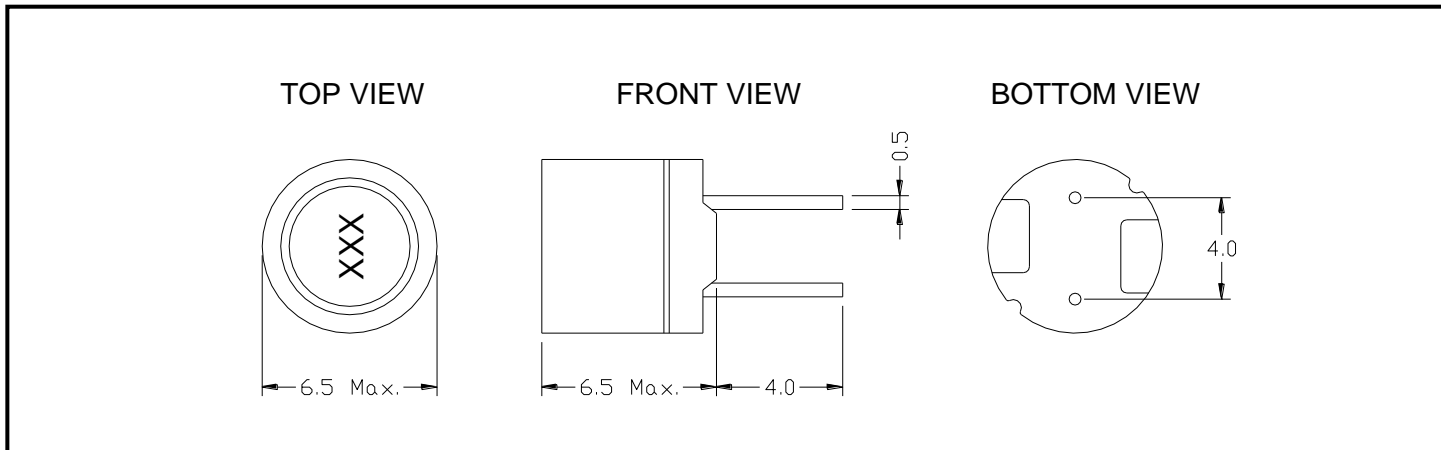
- Magnetically shielded construction and low leakage flux type .
- 4.0mm-pitch , 2 terminal and low profile fixed inductors .
- Ideal for use as an inductor for high current power supplies in all types of electronic instruments .
- Lead free and RoHS compliant

PART NUMBERING SYSTEM

RDS	664D	—	471M	—	LF
TYPE	DIMENSIONS		INDUCTANCE		LEAD FREE

SHAPES AND DIMENSIONS

UNIT : mm



RDS664D SERIES ~ Through Hole Shielded Inductors



SPECIFICATION TABLE

PART NUMBER	INDUCTANCE (μ H)	DCR (Ω) (Max.)	IDC (A) (Max.)	TEST FREQ. (f)
RDS664D-2R7M-LF	2.7 \pm 20%	0.042	2.42	7.96MHz
RDS664D-3R3M-LF	3.3 \pm 20%	0.047	2.13	7.96MHz
RDS664D-3R9M-LF	3.9 \pm 20%	0.050	2.00	7.96MHz
RDS664D-4R7M-LF	4.7 \pm 20%	0.056	1.90	7.96MHz
RDS664D-5R6M-LF	5.6 \pm 20%	0.062	1.81	7.96MHz
RDS664D-6R8M-LF	6.8 \pm 20%	0.066	1.62	7.96MHz
RDS664D-8R2M-LF	8.2 \pm 20%	0.071	1.47	7.96MHz
RDS664D-100M-LF	10 \pm 20%	0.081	1.33	2.52MHz
RDS664D-120M-LF	12 \pm 20%	0.091	1.18	2.52MHz
RDS664D-150M-LF	15 \pm 20%	0.104	1.12	2.52MHz
RDS664D-180M-LF	18 \pm 20%	0.116	1.00	2.52MHz
RDS664D-220M-LF	22 \pm 20%	0.13	0.96	2.52MHz
RDS664D-270M-LF	27 \pm 20%	0.18	0.87	2.52MHz
RDS664D-330M-LF	33 \pm 20%	0.21	0.78	2.52MHz
RDS664D-390M-LF	39 \pm 20%	0.26	0.72	2.52MHz
RDS664D-470M-LF	47 \pm 20%	0.29	0.66	2.52MHz
RDS664D-560M-LF	56 \pm 20%	0.33	0.60	2.52MHz
RDS664D-680M-LF	68 \pm 20%	0.36	0.55	2.52MHz
RDS664D-820M-LF	82 \pm 20%	0.39	0.50	2.52MHz
RDS664D-101M-LF	100 \pm 20%	0.54	0.45	1KHz
RDS664D-121M-LF	120 \pm 20%	0.62	0.41	1KHz
RDS664D-151M-LF	150 \pm 20%	0.72	0.37	1KHz
RDS664D-181M-LF	180 \pm 20%	0.88	0.34	1KHz
RDS664D-221M-LF	220 \pm 20%	0.99	0.30	1KHz
RDS664D-271M-LF	270 \pm 20%	1.52	0.27	1KHz
RDS664D-331M-LF	330 \pm 20%	1.69	0.25	1KHz
RDS664D-391M-LF	390 \pm 20%	1.85	0.23	1KHz
RDS664D-471M-LF	470 \pm 20%	2.85	0.21	1KHz
RDS664D-561M-LF	560 \pm 20%	3.21	0.19	1KHz
RDS664D-681M-LF	680 \pm 20%	3.60	0.17	1KHz
RDS664D-821M-LF	820 \pm 20%	4.87	0.16	1KHz
RDS664D-102M-LF	1000 \pm 20%	5.56	0.14	1KHz

- Inductors tolerance K= \pm 10% ; L= \pm 15% ; M= \pm 20%.
- DC current at which the inductance drops 10% (typ) from its value without current.
- Operating temperature range -25 $^{\circ}$ C to +105 $^{\circ}$ C . Electrical specifications at 20 $^{\circ}$ C .