

RCB1822P SERIES~ Radial Power Inductors



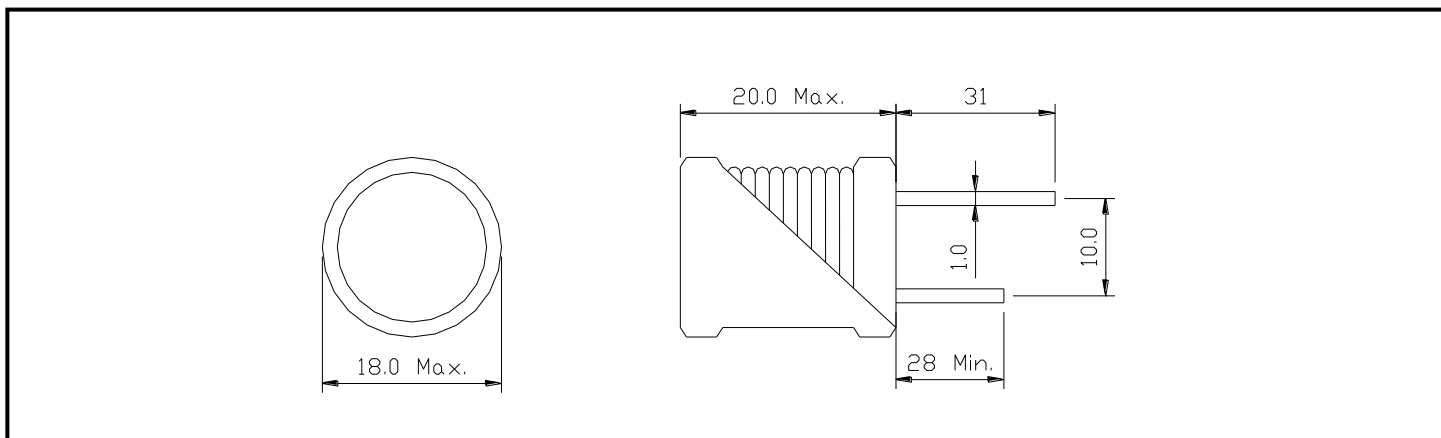
PART NUMBERING SYSTEM

RCB	1822P	—	221K	—	LF
TYPE	DIMENSIONS		INDUCTANCE		LEAD FREE

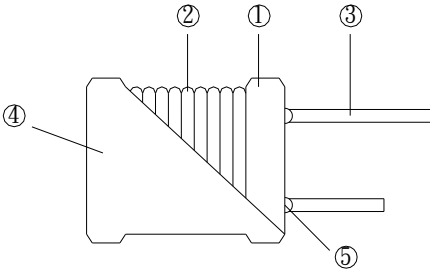
U : UL Tube ; P : PET Tube

SHAPES AND DIMENSIONS

UNIT : mm



STRUCTURAL DIAGRAM :

	COMPONENT	MATERIALS
	1.Core	Ferrite core
	2.Wire	Polyurethane enameled copper wires
	3.Lead wire	Tinned copper wires
	4.Tube	Heat shrinkable tube, PET or UL
	5.Glue	Epoxy resin

RCB1822P SERIES~ Radial Power Inductors



SPECIFICATION TABLE

PART NUMBER	INDUCTANCE (μ H)	DCR ($m\Omega$) (max)	IDC (A) (max)	TEST FREQ. (f)
RCB1822-220M-LF	22	30	5.7	1KHz
RCB1822-270M-LF	27	33	5.0	1KHz
RCB1822-330K-LF	33	35	4.8	1KHz
RCB1822-390K-LF	39	38	4.5	1KHz
RCB1822-470K-LF	47	44	4.2	1KHz
RCB1822-560K-LF	56	48	4.0	1KHz
RCB1822-680K-LF	68	55	3.8	1KHz
RCB1822-820K-LF	82	66	3.5	1KHz
RCB1822-101K-LF	100	82	3.2	1KHz
RCB1822-121K-LF	120	98	3.0	1KHz
RCB1822-151K-LF	150	110	2.7	1KHz
RCB1822-181K-LF	180	130	2.5	1KHz
RCB1822-221K-LF	220	160	2.3	1KHz
RCB1822-271K-LF	270	190	2.0	1KHz
RCB1822-331K-LF	330	260	1.8	1KHz
RCB1822-391K-LF	390	290	1.7	1KHz
RCB1822-471K-LF	470	330	1.5	1KHz
RCB1822-561K-LF	560	410	1.4	1KHz
RCB1822-681K-LF	680	460	1.3	1KHz
RCB1822-821K-LF	820	630	1.1	1KHz
RCB1822-102K-LF	1000	710	1.0	1KHz

1. Inductance Tolerance: M=20% ; K=10%
2. Operating temperature range -40°C to +85°C
3. Electronical specifications at 25°C