

## RCB1419U SERIES~ Radial Power Inductors



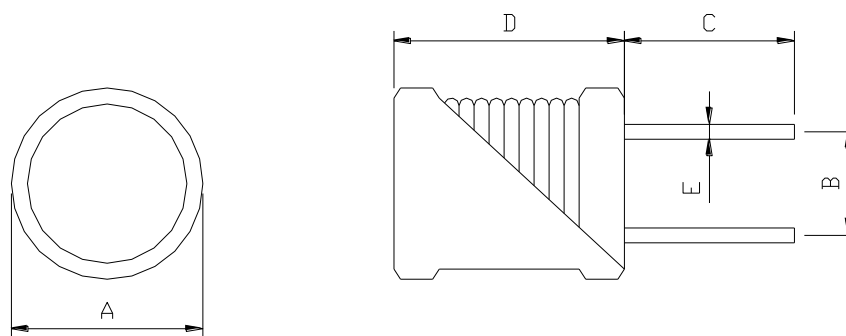
### PART NUMBERING SYSTEM

<b>RCB</b>	<b>1419U</b>	—	<b>101K</b>	—	<b>LF</b>
TYPE	DIMENSIONS		INDUCTANCE		LEAD FREE

**U : UL Tube ; P : PET Tube**

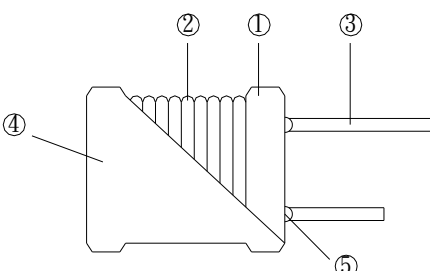
### SHAPES AND DIMENSIONS

UNIT : mm



A= 16.0 Max. , B= 8.0±0.5 , C= 15.0±5.0 , D= 22.0 Max. , E= 1.0 Ref.

### STRUCTURAL DIAGRAM :

	COMPONENT	MATERIALS
	1.Core	Ferrite core
	2.Wire	Polyurethane enameled copper wires
	3.Lead wire	Tinned copper wires
	4.Tube	Heat shrinkable tube, PET or UL
	5.Glue	Epoxy resin



## RCB1419U SERIES~ Radial Power Inductors



### SPECIFICATION TABLE

PART NUMBER	INDUCTANCE ( $\mu$ H)	DCR ( $m\Omega$ ) (max)	IDC ( A ) (max)	TEST FREQ. ( f )
RCB1419-100M-LF	10	24	5.0	1KHz
RCB1419-250K-LF	25	40	4.0	1KHz
RCB1419-500K-LF	50	60	3.0	1KHz
RCB1419-101K-LF	100	90	2.0	1KHz
RCB1419-251K-LF	250	180	1.5	1KHz
RCB1419-501K-LF	500	400	1.0	1KHz
RCB1419-102K-LF	1000	800	0.7	1KHz

1. Inductors Tolerance : K = +/-10% ; M= +/-20%
2. Operating temperature range -40°C to +85°C
3. Electrical specifications at 25°C