

RCB0810 SERIES~ Radial Power Inductors



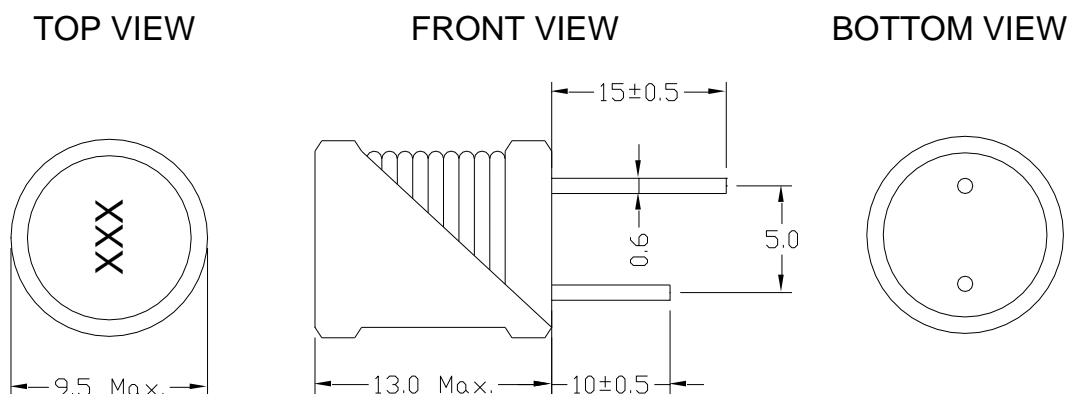
PART NUMBERING SYSTEM

RCB	0810P	—	152K	—	LF
TYPE	DIMENSIONS		INDUCTANCE		LEAD FREE

U : UL Tube ; P : PET Tube

SHAPES AND DIMENSIONS

UNIT : mm



STRUCTURAL DIAGRAM :

COMPONENT	MATERIALS
1.Core	Ferrite core
2.Wire	Polyurethane enameled copper wires
3.Lead wire	Tinned copper wires
4.Tube	Heat shrinkable tube, PET or UL
5.Glue	Epoxy resin

FEATURES :

1. **Low cost, high efficiency** option for choke applications
2. Inductance values from **1.0uH to 100 mH**
3. Current ratings **up to 3.4 Amps**
4. Industry standard **5 mm lead spacing** , PET /UL sleeve protects the winding



RCB0810 SERIES~ Radial Power Inductors



SPECIFICATION TABLE

PART NUMBER	INDUCTANCE (μ H)	Q (min)	DCR (Ω) (max)	IDC (mA) (max)	SRF(MHz) (min)	TEST FREQ. (f)
RCB0810-1R0M-LF	1.0	90	0.02	3400	100	7.96MHz
RCB0810-1R2M-LF	1.2	90	0.02	3400	90	7.96MHz
RCB0810-1R5M-LF	1.5	95	0.02	3400	80	7.96MHz
RCB0810-1R8M-LF	1.8	95	0.03	3300	75	7.96MHz
RCB0810-2R2M-LF	2.2	100	0.03	3000	70	7.96MHz
RCB0810-2R7M-LF	2.7	110	0.04	3000	60	7.96MHz
RCB0810-3R3M-LF	3.3	110	0.04	3000	56	7.96MHz
RCB0810-3R9M-LF	3.9	110	0.05	2900	52	7.96MHz
RCB0810-4R7M-LF	4.7	110	0.05	2900	30	7.96MHz
RCB0810-5R6M-LF	5.6	110	0.06	2600	30	7.96MHz
RCB0810-6R8M-LF	6.8	90	0.06	2500	20	7.96MHz
RCB0810-8R2M-LF	8.2	80	0.06	2000	17	7.96MHz
RCB0810-100K-LF	10	90	0.10	1600	12	2.52MHz
RCB0810-120K-LF	12	90	0.10	1400	11	2.52MHz
RCB0810-150K-LF	15	90	0.10	1300	10	2.52MHz
RCB0810-180K-LF	18	80	0.11	1200	9.0	2.52MHz
RCB0810-220K-LF	22	70	0.13	1100	8.0	2.52MHz
RCB0810-270K-LF	27	70	0.14	1000	7.0	2.52MHz
RCB0810-330K-LF	33	70	0.16	900	7.0	2.52MHz
RCB0810-390K-LF	39	70	0.16	800	6.0	2.52MHz
RCB0810-470K-LF	47	70	0.16	700	5.5	2.52MHz
RCB0810-680K-LF	68	60	0.23	600	5.0	2.52MHz
RCB0810-820K-LF	82	60	0.27	500	4.5	2.52MHz
RCB0810-101K-LF	100	40	0.29	400	4.5	796KHz
RCB0810-121K-LF	120	40	0.33	400	4.5	796KHz
RCB0810-151K-LF	150	40	0.46	350	4.5	796KHz
RCB0810-221K-LF	220	40	0.62	300	3.5	796KHz



RoHS Compliant

RCB0810 SERIES ~ Power Inductors

SPECIFICATION TABLE

PART NUMBER	INDUCTANCE	Q	DCR (Ω)	IDC (mA)	SRF(MHz)	TEST FREQ.
	(μ H)	(min)	(max)	(max)	(min)	(f)
RCB0810-331K-LF	330	30	0.79	250	3.0	796MHz
RCB0810-391K-LF	390	30	0.91	200	2.5	796MHz
RCB0810-471K-LF	470	30	1.2	180	2.5	796MHz
RCB0810-561K-LF	560	30	1.2	160	2.0	796MHz
RCB0810-681K-LF	680	30	1.5	140	2.0	796MHz
RCB0810-821K-LF	820	25	1.7	140	2.0	796MHz
RCB0810-102K-LF	1000	50	2.0	120	2.0	252MHz
RCB0810-122K-LF	1200	45	2.3	100	1.5	252MHz
RCB0810-152K-LF	1500	45	2.9	80	1.5	252MHz
RCB0810-182K-LF	1800	45	3.5	80	1.5	252MHz
RCB0810-222K-LF	2200	50	4.2	70	1.0	252MHz
RCB0810-272K-LF	2700	50	5.1	60	1.0	252MHz
RCB0810-332K-LF	3300	50	6.1	60	0.9	252MHz
RCB0810-392K-LF	3900	50	7.8	50	0.8	252MHz
RCB0810-472K-LF	4700	55	11	50	0.7	252MHz
RCB0810-562K-LF	5600	55	11	45	0.6	252MHz
RCB0810-682K-LF	6800	55	14	45	0.6	252MHz
RCB0810-822K-LF	8200	60	15	40	0.6	252MHz
RCB0810-103K-LF	10000	100	20	35	0.5	79.6MHz
RCB0810-123K-LF	12000	100	24	35	0.4	79.6MHz
RCB0810-153K-LF	15000	100	28	35	0.4	79.6MHz
RCB0810-183K-LF	18000	100	42	30	0.4	79.6MHz
RCB0810-223K-LF	22000	100	43	30	0.3	79.6MHz
RCB0810-273K-LF	27000	100	55	25	0.3	79.6MHz
RCB0810-333K-LF	33000	90	65	25	0.3	79.6MHz
RCB0810-393K-LF	39000	90	87	25	0.2	79.6MHz
RCB0810-473K-LF	47000	85	98	25	0.2	79.6MHz
RCB0810-563K-LF	56000	80	128	20	0.2	79.6MHz
RCB0810-683K-LF	68000	70	141	20	0.2	79.6MHz
RCB0810-823K-LF	82000	70	161	20	0.2	79.6MHz
RCB0810-104K-LF	100000	55	180	20	0.2	79.6MHz