



MS3225LS SERIES ~ Wire Wound Ferrite Chip Inductors



PART NUMBERING SYSTEM

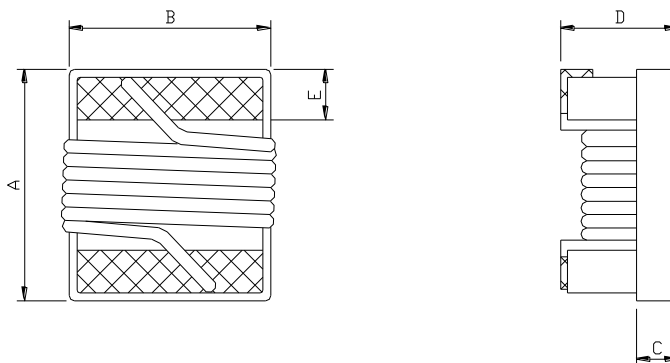
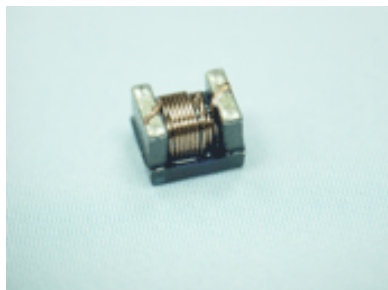
MS	3225LS	—	150J	—	LF
TYPE	DIMENSIONS		INDUCTANCE		LEAD FREE

FEATURES :

1. Low DC resistance & high current handling capacities , making them ideal for power supply line applications.
2. MS3225LS products conforms to the standards that are slated to be introduced under the RoHS Directive.
3. Applications for personal computers , portable telephones , hard disk drives and other electronic equipment .
4. They are available in ranging from 2012 to 3225 types .

SHAPES AND DIMENSIONS

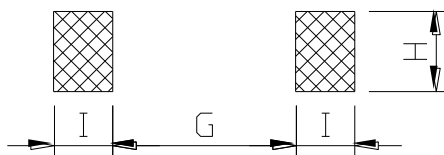
UNIT : mm



A=3.6 Max. B=2.9 Max. C=1.1 Ref. D=2.4 Max. E=0.50±0.1

RECOMMENDED PATTERNS

UNIT : mm



G=2.00 H=2.70 I=1.20

MS3225LS SERIES ~ Wire Wound Ferrite Chip Inductors



SPECIFICATION TABLE

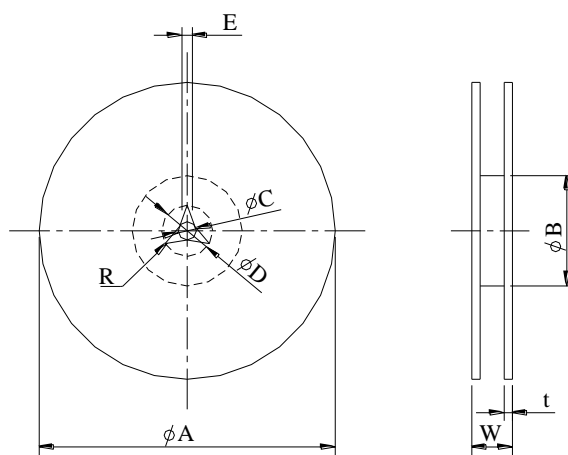
PART NUMBER	INDUCTANCE (uH)	TOLERANCE	Q. MIN.	SRF (MHz) MIN.	DCR (Ω) Max.	IDC (mA) (max)
MS3225LS-1R0□-LF	1.0 @7.96MHz	J,K	35@7.96MHz	320	0.42	1200
MS3225LS-1R8□-LF	1.8 @7.96MHz	J,K	40@7.96MHz	203	0.62	1000
MS3225LS-2R7□-LF	2.7 @7.96MHz	J,K	40@7.96MHz	200	0.65	1000
MS3225LS-3R0□-LF	3.0 @7.96MHz	J,K	40@7.96MHz	180	0.78	800
MS3225LS-3R3□-LF	3.3 @7.96MHz	J,K	30@7.96MHz	146	0.83	1200
MS3225LS-3R9□-LF	3.9 @7.96MHz	J,K	30@7.96MHz	139	1.74	900
MS3225LS-4R7□-LF	4.7 @7.96MHz	J,K	35@7.96MHz	124	1.90	800
MS3225LS-5R6□-LF	5.6 @7.96MHz	J,K	30@7.96MHz	114	2.05	700
MS3225LS-6R8□-LF	6.8 @7.96MHz	J,K	30@2.52MHz	109	1.37	450
MS3225LS-100□-LF	10 @2.52MHz	J,K	23@2.52MHz	90	1.70	590
MS3225LS-150□-LF	15 @2.52MHz	J,K	25@2.52MHz	67	2.22	340
MS3225LS-180□-LF	18 @2.52MHz	J,K	25@2.52MHz	57	2.42	330
MS3225LS-220□-LF	22 @2.52MHz	J,K	25@2.52MHz	48	2.66	300
MS3225LS-270□-LF	27 @2.52MHz	J,K	25@2.52MHz	38	2.99	250
MS3225LS-680□-LF	68 @2.52MHz	J,K	23@2.52MHz	15	4.50	340
MS3225LS-820□-LF	82 @2.52MHz	J,K	23@2.52MHz	15	5.95	300
MS3225LS-101□-LF	100 @1.0MHz	J,K	15@1.0MHz	14	6.62	250
MS3225LS-151□-LF	150 @1.0MHz	J,K	15@1.0MHz	11	8.29	135
MS3225LS-221□-LF	220 @1.0MHz	J,K	15@1.0MHz	8	12.48	80

- Inductance and SRF are measured in HP-E4991A impedance analyzer with HP-16197A fixture.
- Inductance Tolerance : J=5%, K=10%.
- RDC is measured in Chroma 16502 mill ohm meter. (or equivalent)
- Irms For 15°C rise form 25°C ambient.

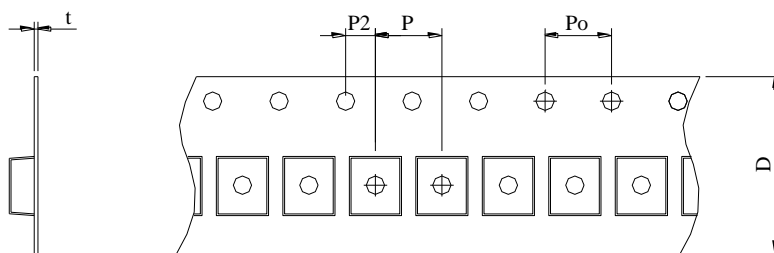
MS3225LS SERIES ~ Wire Wound Ferrite Chip Inductors



PACKAGING SPECIFICATION



	A	B	C	D	E	W	t	R
T(ψ 180mm) Reel	ψ 180	ψ 60	ψ 13	—	—	14.4	—	—



TYPE	Reel/pcs	P	Po	P2	t	D
MS3225LS	2000	4	4	2	1	8