



MS3217LC SERIES ~ Wire Wound Ferrite Chip Inductors



PART NUMBERING SYSTEM

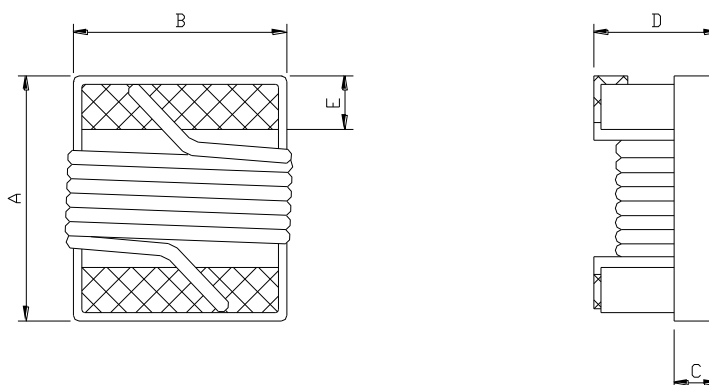
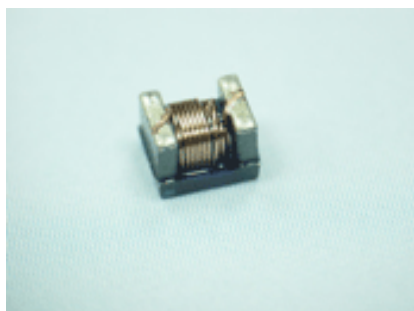
MS	3217LC	—	1R5K	—	LF
TYPE	DIMENSIONS		INDUCTANCE		LEAD FREE

FEATURES :

1. Low DC resistance & high current handling capacities , making them ideal for power supply line applications.
2. MS3217LC products conforms to the standards that are slated to be introduced under the RoHS Directive.
3. Applications for personal computers , portable telephones , hard disk drives and other electronic equipment .

SHAPES AND DIMENSIONS

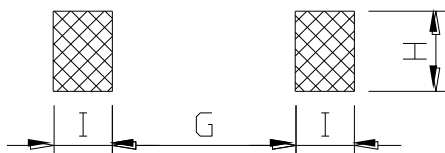
***IIT : mm



A=3.6 Max. B=2.9 Max. C=1.0 Ref. D=1.70 Max. E=0.5±0.1

RECOMMENDED PATTERNS

UNIT : mm



G=1.7 H=2.8 I=1.15

MS3217LC SERIES ~ Wire Wound Ferrite Chip Inductors



SPECIFICATION TABLE

PART NUMBER	INDUCTANCE (μ H)	TOLERANCE	Q. MIN.	SRF (MHz) MIN.	DCR (Ω) (max)	IDC (mA) (max)
MS3217LC-1R0□-LF	1.0 @2.52MHz	K,M	17@2.52MHz	362	0.13	1200
MS3217LC-1R5□-LF	1.5 @2.52MHz	K,M	17@2.52MHz	315	0.18	1100
MS3217LC-2R2□-LF	2.2 @2.52MHz	K,M	17@2.52MHz	269	0.26	1000
MS3217LC-3R3□-LF	3.3 @2.52MHz	K,M	16@2.52MHz	125	0.33	850
MS3217LC-4R7□-LF	4.7 @2.52MHz	K,M	16@2.52MHz	55	0.39	800
MS3217LC-5R6□-LF	5.6 @2.52MHz	K,M	16@2.52MHz	41	0.43	650
MS3217LC-6R8□-LF	6.8 @2.52MHz	K,M	15@2.52MHz	29	0.48	550
MS3217LC-8R2□-LF	8.2 @2.52MHz	K,M	15@2.52MHz	22	0.53	400
MS3217LC-100□-LF	10 @1.0MHz	K,M	13@1.0MHz	21	0.71	350
MS3217LC-150□-LF	15 @1.0MHz	K,M	13@1.0MHz	15	0.91	325
MS3217LC-220□-LF	22 @1.0MHz	K,M	13@1.0MHz	13	1.25	300
MS3217LC-330□-LF	33 @1.0MHz	K,M	13@1.0MHz	9	2.17	250
MS3217LC-470□-LF	47 @1.0MHz	K,M	13@1.0MHz	8	3.00	200

※ Inductance, Q and SRF are measured in HP-4284A & HP-E4991A impedance analyzer with HP-16197A fixture.

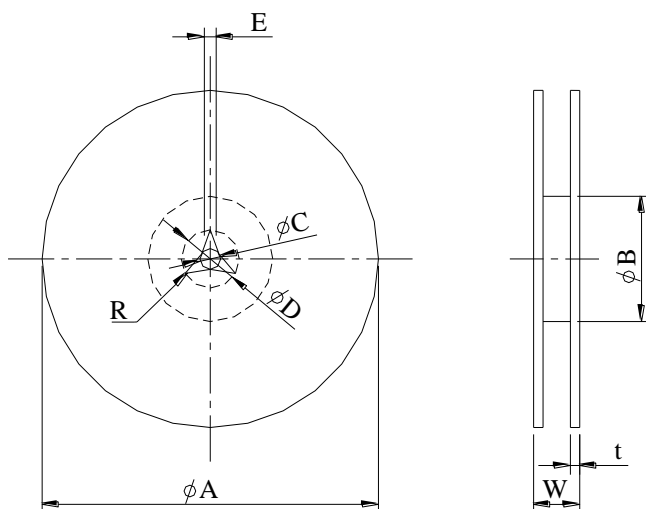
※ Inductance Tolerance : K=10%, M=20%.

※ RDC is measured in Chroma 16502 mill ohm meter.(or equivalent) .

MS3217LC SERIES ~ Wire Wound Ferrite Chip Inductors



PACKAGING SPECIFICATION



	A	B	C	D	E	W	t	R
T($\phi 178\text{mm}$) Reel	$\phi 180$	$\phi 60$	$\phi 13$	—	—	14.4	—	—

TYPE	Reel/pcs	P	Po	P2	t	D
MS3217LC	2000	4	4	2	1	8