



MS3212LC SERIES ~ Wire Wound Ferrite Chip Inductors



Wire Wound Ferrite Chip Inductors

PART NUMBERING SYSTEM

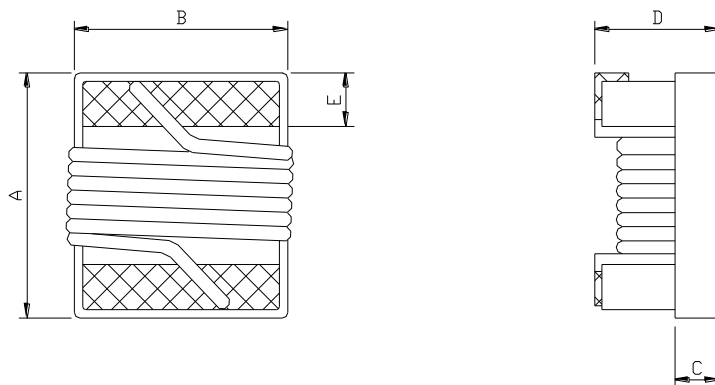
<u>MS</u>	<u>3212LC</u>	—	<u>1R0K</u>	—	<u>LF</u>
TYPE	DIMENSIONS		INDUCTANCE		LEAD FREE

FEATURES :

1. Low DC resistance & high current handling capacities , making them ideal for power supply line applications.
2. MS3212LC products conforms to the standards that are slated to be introduced under the RoHS Directive.
3. Applications for personal computers , portable telephones , hard disk drives and other electronic equipment .

SHAPES AND D

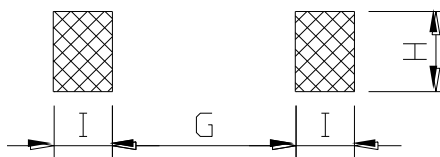
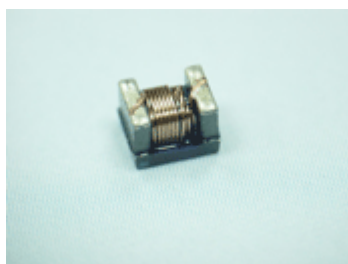
UNIT : mm



A=3.6 Max. B=2.9 Max. C=0.7 Ref. D=1.30 Max. E=0.50±0.1

RECOMMENDED PATTERNS

UNIT : mm



G=2.0 H=2.7 I=1.02



MS3212LC SERIES ~ Wire Wound Ferrite Chip Inductors



Wire Wound Ferrite Chip Inductors

SPECIFICATION TABLE

PART NUMBER	INDUCTANCE (μ H)	TOLERANCE	Q. MIN.	SRF (MHz) MIN.	DCR (Ω) (typ.)	IDC (mA) (max)
MS3212LC-1R0□-LF	1.0 @2.52MHz	J,K,M	13@2.52MHz	350	0.25	2400
MS3212LC-2R2□-LF	2.2 @2.52MHz	J,K,M	15@2.52MHz	260	0.50	1600
MS3212LC-3R3□-LF	3.3 @2.52MHz	J,K,M	15@2.52MHz	160	0.68	1380
MS3212LC-4R7□-LF	4.7 @2.52MHz	J,K,M	15@2.52MHz	90	0.88	1140
MS3212LC-5R6□-LF	5.6 @2.52MHz	J,K,M	16@2.52MHz	90	0.93	1060
MS3212LC-6R8□-LF	6.8 @2.52MHz	J,K,M	16@2.52MHz	76	1.10	1000
MS3212LC-8R2□-LF	8.2 @2.52MHz	J,K,M	16@2.52MHz	72	1.15	860
MS3212LC-100□-LF	10.0 @2.52MHz	J,K,M	16@2.52MHz	64	1.28	840
MS3212LC-150□-LF	15.0 @1.0MHz	J,K,M	7@1.0MHz	30	2.20	660
MS3212LC-220□-LF	22.0 @1.0MHz	J,K,M	7@1.0MHz	18	2.60	580
MS3212LC-330□-LF	33.0 @1.0MHz	J,K,M	7@1.0MHz	11	3.45	460
MS3212LC-470□-LF	47.0 @1.0MHz	J,K,M	7@1.0MHz	10	5.58	380

- ※ Inductance, Q and SRF are measured in HP-4284A & HP-E4991A impedance analyzer with HP-16197A fixture.
- ※ Inductance Tolerance : J=5% , K=10%, M=20%.
- ※ RDC is measured in Chroma 16502 mill ohm meter.(or equivalent) .



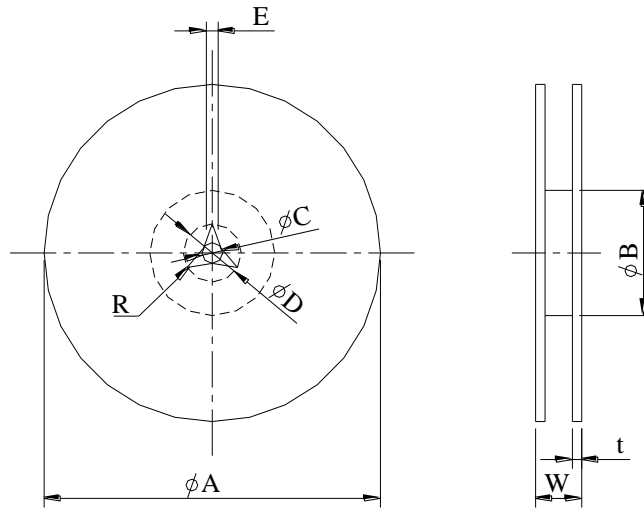
MS3212LC SERIES ~ Low Profile

Wire Wound Ferrite Chip Inductors

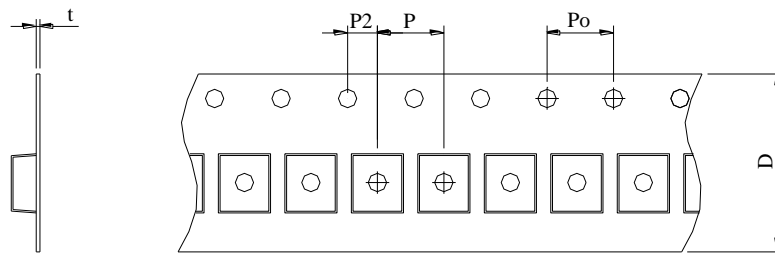


RoHS Compliant

PACKAGING SPECIFICATION



	A	B	C	D	E	W	t	R
T($\phi 178mm$) Reel	$\phi 180$	$\phi 60$	$\phi 13$	—	—	14.4	—	—



TYPE	Reel/pcs	P	Po	P2	t	D
MS3212LC	2000	4	4	2	1	8