



## MS2520LHQ SERIES ~ Wire Wound Ferrite Chip Inductors



### PART NUMBERING SYSTEM

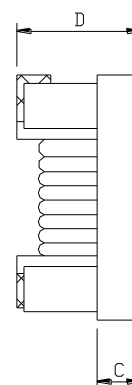
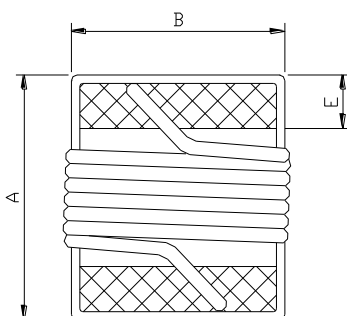
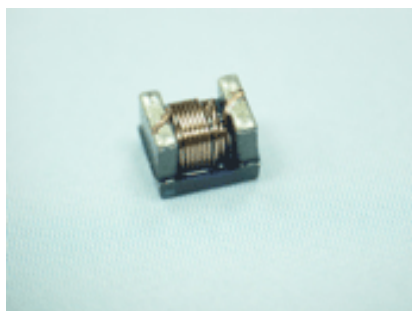
<u>MS</u>	<u>2520LHQ</u>	—	<u>150K</u>	—	<u>LF</u>
TYPE	DIMENSIONS		INDUCTANCE		LEAD FREE

### FEATURES :

1. Utilizing a miniaturized winding structure.
2. **Very high Q factors** – far higher than non-wire wound types
3. Inductance values from 1.0 uH to 100 uH
4. **Excellent current carrying** capacity for their size
5. Applications for personal computers , hard disk drives , xDSL / Cable modem and other electronic equipment .
6. **RoHS-compliant** 260°C compatible.

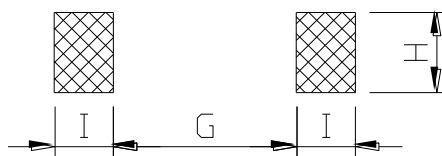
### SHAPES AND DIMENSIONS

UNIT : mm



### RECOMMENDED PATTERNS

UNIT : mm



**G=1.78 H=2.80 I=1.02**



## MS2520LHQ SERIES ~ Wire Wound Ferrite Chip Inductors



### SPECIFICATION TABLE

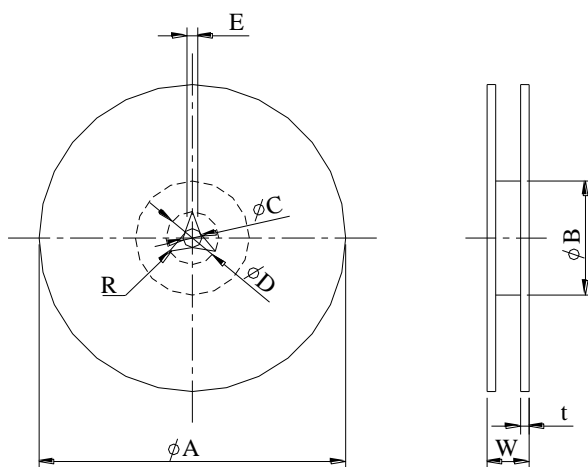
PART NUMBER	INDUCTANCE (uH)	TOLERANCE	Q. MIN.	SRF (MHz) MIN.	DCR (Ω) (max)	IDC (mA) (max)
MS2520LHQ-1R0□-LF	1.0 @7.96MHz	J,K	55@50MHz	380	0.50	1500
MS2520LHQ-1R2□-LF	1.2 @7.96MHz	J,K	48@50MHz	350	0.50	1200
MS2520LHQ-1R5□-LF	1.5 @7.96MHz	J,K	48@50MHz	300	0.65	1200
MS2520LHQ-1R8□-LF	1.8 @7.96MHz	J,K	45@50MHz	280	0.75	1050
MS2520LHQ-2R2□-LF	2.2 @7.96MHz	J,K	40@50MHz	250	0.90	950
MS2520LHQ-2R7□-LF	2.7 @7.96MHz	J,K	40@50MHz	200	1.00	950
MS2520LHQ-3R3□-LF	3.3 @7.96MHz	J,K	45@50MHz	200	1.15	900
MS2520LHQ-3R9□-LF	3.9 @7.96MHz	J,K	32@7.96MHz	170	1.40	850
MS2520LHQ-4R7□-LF	4.7 @7.96MHz	J,K	31@7.96MHz	130	1.35	700
MS2520LHQ-5R6□-LF	5.6 @7.96MHz	J,K	31@7.96MHz	110	1.45	700
MS2520LHQ-6R8□-LF	6.8 @7.96MHz	J,K	28@7.96MHz	105	1.60	600
MS2520LHQ-8R2□-LF	8.2 @7.96MHz	J,K	32@7.96MHz	85	1.80	550
MS2520LHQ-100□-LF	10 @7.96MHz	J,K	32@7.96MHz	85	2.40	500
MS2520LHQ-120□-LF	12 @2.52MHz	J,K	32@7.96MHz	70	2.60	500
MS2520LHQ-150□-LF	15 @2.52MHz	J,K	32@7.96MHz	64	2.85	450
MS2520LHQ-180□-LF	18 @2.52MHz	J,K	34@7.96MHz	55	3.10	420
MS2520LHQ-220□-LF	22 @2.52MHz	J,K	34@7.96MHz	48	4.35	400
MS2520LHQ-270□-LF	27 @2.52MHz	J,K	30@7.96MHz	45	4.90	350
MS2520LHQ-330□-LF	33 @2.52MHz	J,K	25@7.96MHz	30	5.50	320
MS2520LHQ-390□-LF	39 @2.52MHz	J,K	28@7.96MHz	37	7.65	320
MS2520LHQ-470□-LF	47 @2.52MHz	J,K	31@7.96MHz	30	8.55	280
MS2520LHQ-560□-LF	56 @2.52MHz	J,K	28@7.96MHz	22	9.50	250
MS2520LHQ-680□-LF	68 @2.52MHz	J,K	25@7.96MHz	20	11.0	220
MS2520LHQ-820□-LF	82 @2.52MHz	J,K	20@7.96MHz	17	12.5	200
MS2520LHQ-101□-LF	100 @1.00MHz	J,K	23@7.96MHz	14	13.8	170

1. Inductance, Q and SRF are measured in HP-4284A & HP-E4991A impedance analyzer with HP-16197A fixture
2. Inductance Tolerance : K=10%, M=20%.
3. RDC is measured in Chroma 16502 mill ohm meter.(or equivalent) .

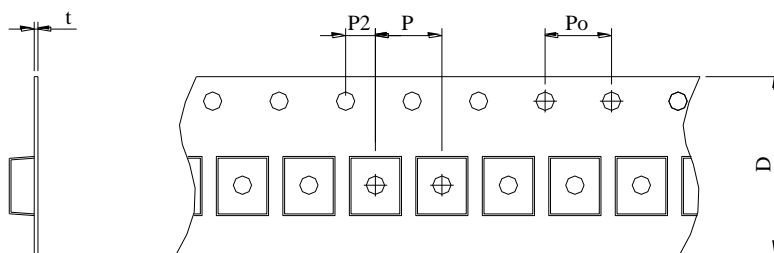
## MS2520LHQ SERIES ~ Wire Wound Ferrite Chip Inductors



### PACKAGING SPECIFICATION



	A	B	C	D	E	W	t	R
T( $\psi 178\text{mm}$ ) Reel	$\psi 180$	$\psi 60$	$\psi 13$	—	—	14.4	—	—



TYPE	Reel/pcs	P	P <sub>0</sub>	P <sub>2</sub>	t	D
MS2520LHQ	2000	4	4	2	1	8