

MS2520CT SERIES ~ Low Profile Ceramic Chip Inductors

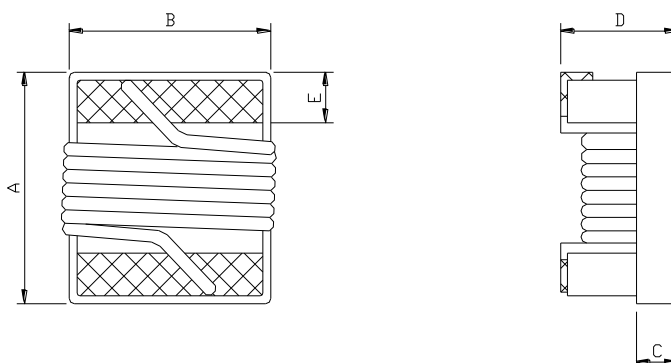


PART NUMBERING SYSTEM

MS	2520CT	—	15NG	—	LF
TYPE	DIMENSIONS		INDUCTANCE		LEAD FREE

SHAPES AND DIMENSIONS

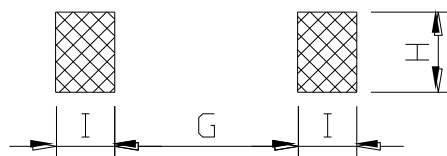
UNIT : mm



A=2.92 Max. B=2.79 Max. C=0.51 Ref. D=1.27 Max. E=0.51 Ref.

RECOMMENDED PATTERNS

UNIT : mm



G=1.27 H=2.54 I=1.02

FEATURES

- **Very low profile** only 0.050" high
- Inductance values from **4.7 nH to 100 nH** (tolerances as low as 2%)
- **Exceptionally high Q** compared to non-wirewound inductors, especially at high frequencies
- Ceramic construction for **highest possible self resonance** (as high as 7500 MHz)
- **RoHS-compliant.** 260°C compatible.

MS2520CT SERIES ~ Low Profile Ceramic Chip Inductors



SPECIFICATION TABLE

PART NUMBER	INDUCTANCE (nH)	TOLERANCE	Q. MIN.	SRF (GHz) MIN.	DCR (Ω) (max)	IDC (mA) (max)
MS2520CT-4N7X-LF	4.7@50MHz	B,S	28@500MHz	7500	0.15	600
MS2520CT-8N2X-LF	8.2@50MHz	B,S	40@500MHz	5000	0.22	600
MS2520CT-10NX-LF	10@50MHz	K,J,G	40@500MHz	2700	0.25	600
MS2520CT-15NX-LF	15@50MHz	K,J,G	40@500MHz	3000	0.22	600
MS2520CT-20NX-LF	20@50MHz	K,J,G	50@500MHz	2400	0.33	600
MS2520CT-30NX-LF	30@50MHz	K,J,G	50@500MHz	2400	0.38	600
MS2520CT-40NX-LF	40@50MHz	K,J,G	60@500MHz	2000	0.43	600
MS2520CT-50NX-LF	50@50MHz	K,J,G	60@500MHz	1900	0.48	600
MS2520CT-60NX-LF	60@50MHz	K,J,G	60@500MHz	1800	0.52	600
MS2520CT-70NX-LF	70@50MHz	K,J,G	60@500MHz	1700	0.55	510
MS2520CT-80NX-LF	80@50MHz	K,J,G	60@500MHz	1400	0.56	510
MS2520CT-90NX-LF	90@50MHz	K,J,G	65@500MHz	1400	0.61	500
MS2520CT-R10X-LF	100@50MHz	K,J,G	60@500MHz	1000	0.63	480

- Inductance measured using a fixture in an Agilent/HP 4286A impedance analyzer
- Q measured using an Agilent/HP 4291A with an Agilent/HP 16193 test fixture.
- SRF measured using an Agilent/HP 8720D network analyzer
- Electrical specifications at 25°C.

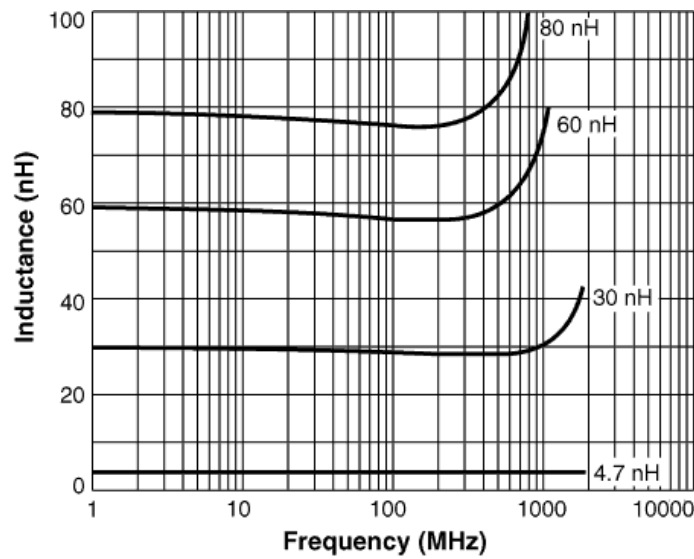


MS2520CT SERIES ~ Low Profile Ceramic Chip Inductors

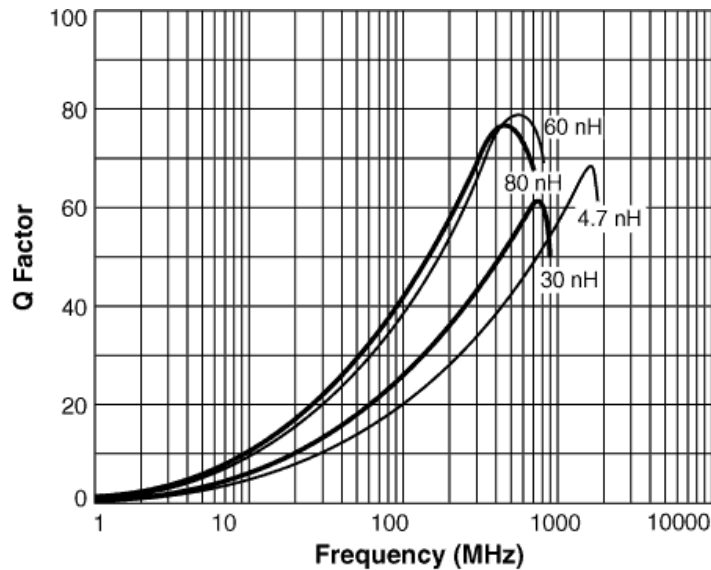


TYPICAL ELECTRICAL CHARACTERISTICS

INDUCTANCE vs. FREQUENCY CHARACTERISTICS



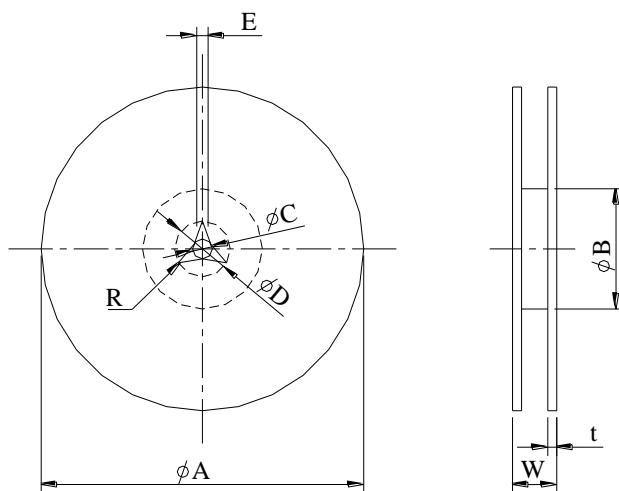
Q vs. FREQUENCY CHARACTERISTICS



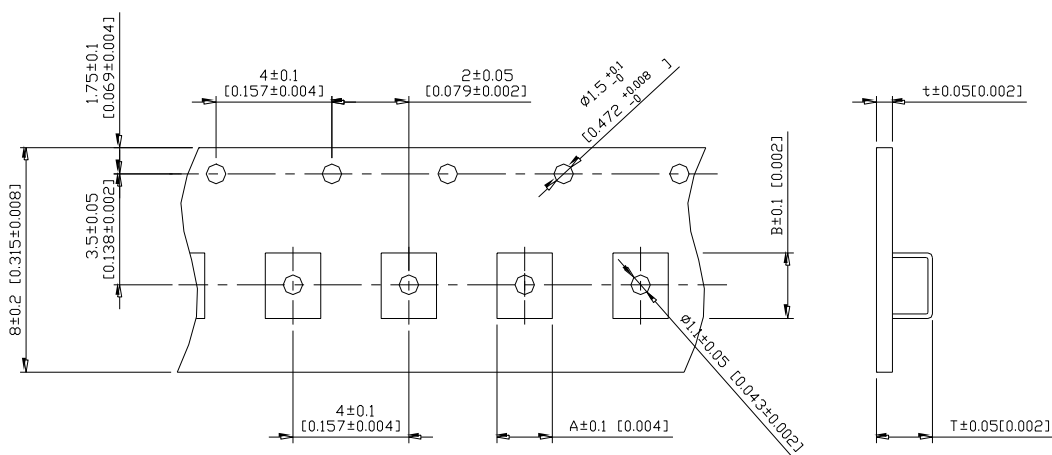
MS2520CT SERIES ~ Low Profile Ceramic Chip Inductors



PACKAGING SPECIFICATION



	A	B	C	D	E	W8	W12	t	R
T($\psi 178\text{mm}$) Reel	$\psi 178 \pm 2$	$\psi 60 \pm 1$	$\psi 13 \pm 0.8$	$\psi 21 \pm 0.8$	2	10 ± 1.5	14.5 ± 1.5	1.27 ± 0.2	1



TYPE	A	B	T	t	T($\psi 178\text{mm}$)	T($\psi 330\text{mm}$)
MS2520CT	1.90	3.50	1.40	0.2	2000 pcs/reel	-