

MS2012LS SERIES ~ Wire Wound Ferrite Chip Inductors

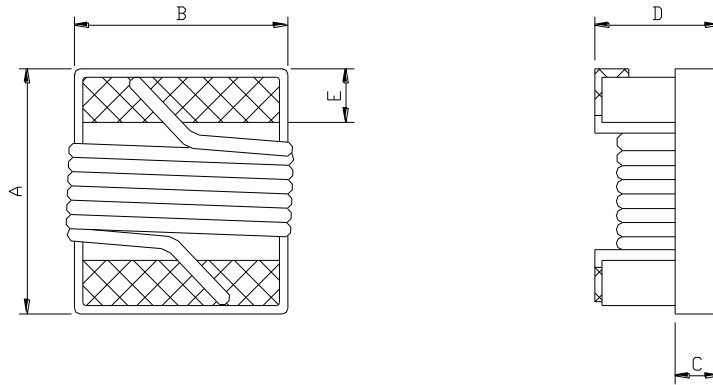
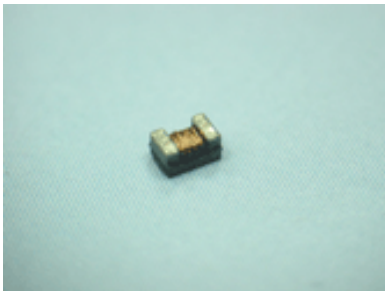


PART NUMBERING SYSTEM

MS	—	2012LS	—	100J	—	LF
TYPE		DIMENSIONS		INDUCTANCE		LEAD FREE

SHAPES AND DIMENSIONS

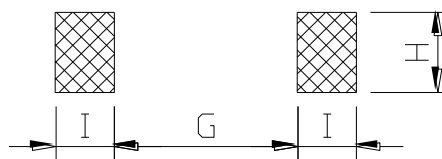
UNIT : mm



A=2.4 Max. B=1.65 Max. C=0.65 Ref. D=1.3 Max. E=0.44±0.1

RECOMMENDED PATTERNS

UNIT : mm



G=0.76 H=1.78 I=1.02

FEATURES

- Ferrite construction for **higher current carrying capacity**
- **Lowest DCR** in an 2012 form factor
- Inductance values from **0.47 μH to 10 μH**
- **RoHS Compliant.** 260°C compatible.



MS2012LS SERIES ~ Wire Wound Ferrite Chip Inductors



SPECIFICATION TABLE

PART NUMBER	INDUCTANCE (uH)	TOLERANCE	Q. MIN.	SRF (MHz) MIN.	DCR (Ω) (max)	IDC (mA) (max)
MS2012LS-R12□-LF	0.12@25MHz	J,K	25@25MHz	1000	0.18	1500
MS2012LS-R15□-LF	0.15@25MHz	J,K	25@25MHz	1000	0.18	1400
MS2012LS-R18□-LF	0.18@25MHz	J,K	30@25MHz	1000	0.20	1400
MS2012LS-R22□-LF	0.22@25MHz	J,K	30@25MHz	830	0.25	1350
MS2012LS-R27□-LF	0.27@25MHz	J,K	30@25MHz	800	0.38	1300
MS2012LS-R33□-LF	0.33@25MHz	J,K	30@25MHz	750	0.35	1200
MS2012LS-R39□-LF	0.39@25MHz	J,K	30@25MHz	700	0.35	1160
MS2012LS-R47□-LF	0.47@25MHz	J,K	30@25MHz	690	0.40	1100
MS2012LS-R56□-LF	0.56@25MHz	J,K	30@25MHz	640	0.40	1040
MS2012LS-R62□-LF	0.62@25MHz	J,K	30@25MHz	640	0.45	980
MS2012LS-R68□-LF	0.68@25MHz	J,K	30@25MHz	510	0.50	900
MS2012LS-R82□-LF	0.82@25MHz	J,K	30@25MHz	500	0.50	900
MS2012LS-R91□-LF	0.91@25MHz	J,K	30@25MHz	500	0.55	900
MS2012LS-1R0□-LF	1.0@7.9MHz	J,K	20@7.9MHz	470	0.60	840
MS2012LS-1R2□-LF	1.2@7.9MHz	J,K	20@7.9MHz	400	0.75	800
MS2012LS-1R5□-LF	1.5@7.9MHz	J,K	25@7.9MHz	400	1.00	720
MS2012LS-1R8□-LF	1.8@7.9MHz	J,K	25@7.9MHz	230	1.00	660
MS2012LS-2R2□-LF	2.2@7.9MHz	J,K	25@7.9MHz	200	1.05	600
MS2012LS-2R7□-LF	2.7@7.9MHz	J,K	25@7.9MHz	130	1.18	500
MS2012LS-3R3□-LF	3.3@7.9MHz	J,K	25@7.9MHz	160	1.26	480
MS2012LS-3R9□-LF	3.9@7.9MHz	J,K	25@7.9MHz	130	1.75	440
MS2012LS-4R7□-LF	4.7@7.9MHz	J,K	25@7.9MHz	120	1.87	390
MS2012LS-5R6□-LF	5.6@7.9MHz	J,K	25@7.9MHz	90	2.00	340
MS2012LS-6R8□-LF	6.8@7.9MHz	J,K	25@7.9MHz	55	2.15	300
MS2012LS-8R2□-LF	8.2@7.9MHz	J,K	25@7.9MHz	40	2.37	280



MS2012LS SERIES ~ Wire Wound Ferrite Chip Inductors



SPECIFICATION TABLE

PART NUMBER	INDUCTANCE (uH)	TOLERANCE	Q. MIN.	SRF (MHz) MIN.	DCR (Ω) (max)	IDC (mA) (max)
MS2012LS-100□-LF	10@2.5MHz	J,K	16@2.5MHz	40	2.55	260
MS2012LS-120□-LF	12@2.5MHz	J,K	16@2.5MHz	37	2.80	220
MS2012LS-150□-LF	15@2.5MHz	J,K	16@2.5MHz	30	3.80	200
MS2012LS-180□-LF	18@2.5MHz	J,K	16@2.5MHz	23	4.48	180
MS2012LS-220□-LF	22@2.5MHz	J,K	16@2.5MHz	20	6.30	160
MS2012LS-270□-LF	27@2.5MHz	J,K	16@2.5MHz	19	6.85	140
MS2012LS-330□-LF	33@2.5MHz	J,K	16@2.5MHz	18	7.60	120

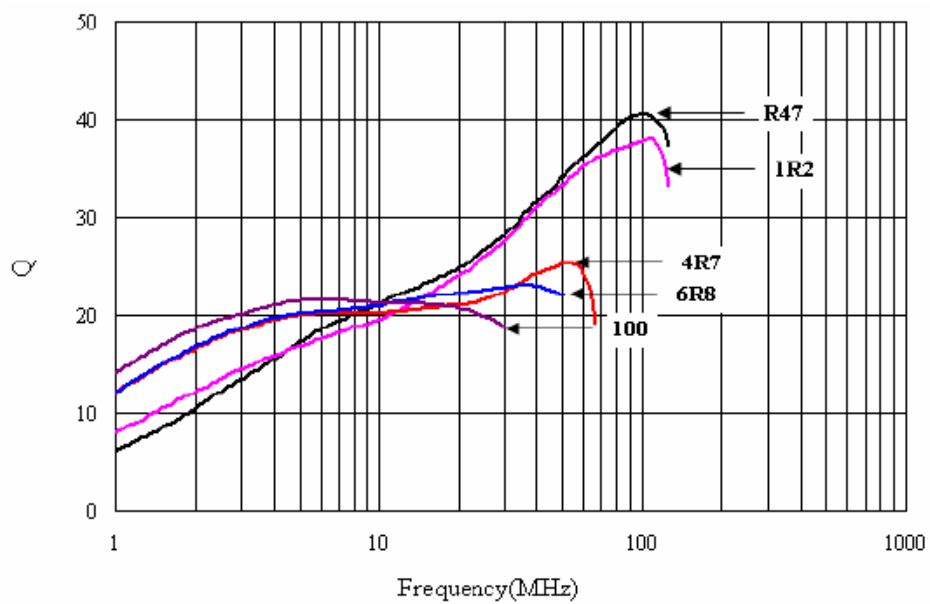
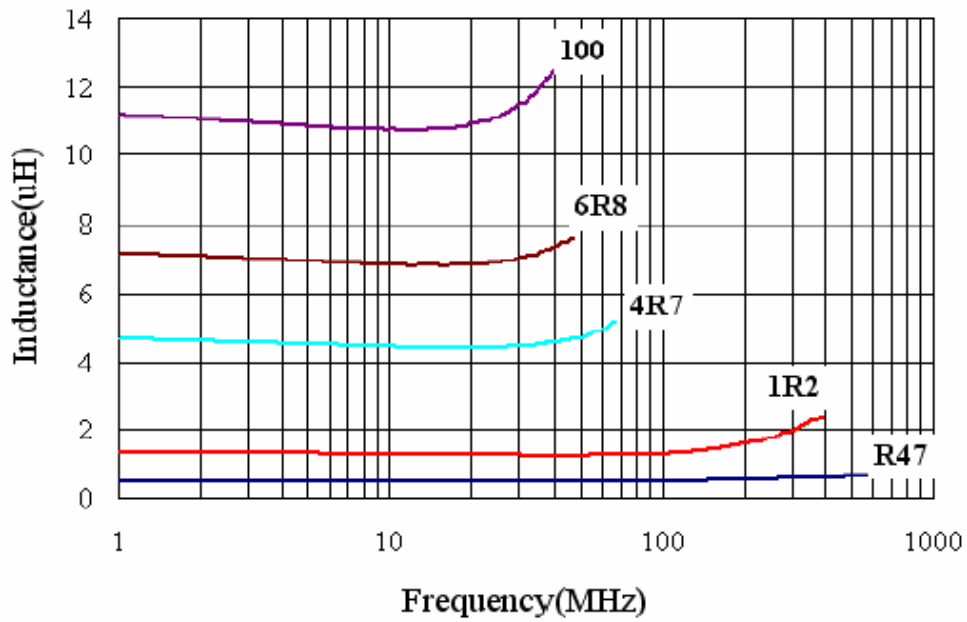
- ※ Inductance, Q and SRF are measured in HP-E4991A impedance analyzer with HP-16197A fixture.
- ※ Inductance Tolerance : J=5%, K=10%.
- ※ RDC is measured in Chroma 16502 mill ohm meter.(or equivalent)
- ※ Irms For 15°C rise form 25°C ambient.



MS2012LS SERIES ~ Wire Wound Ferrite Chip Inductors



Impedance Vs Frequency Curve

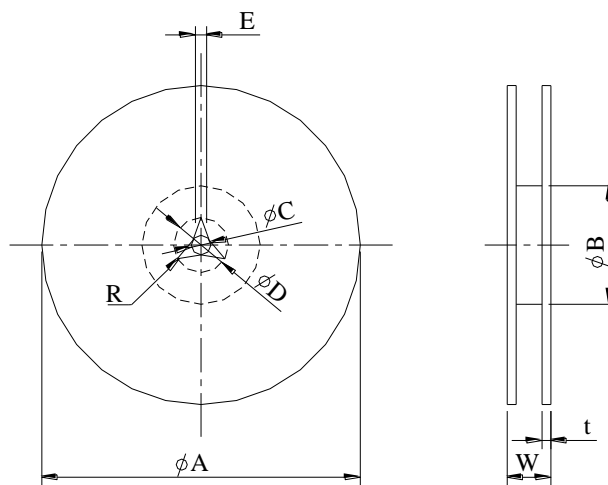




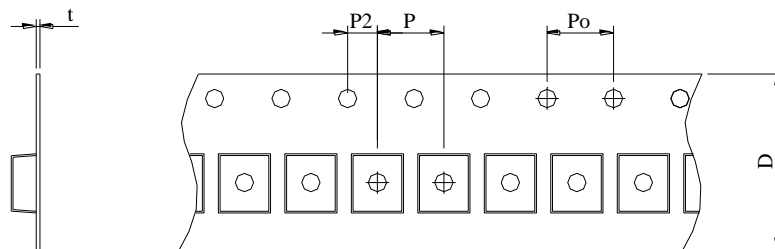
MS2012LS SERIES ~ Wire Wound Ferrite Chip Inductors



PACKAGING SPECIFICATION



	A	B	C	D	E	W	t	R
T(ϕ 180mm) Reel	ϕ 180	ϕ 60	ϕ 13	—	—	14.4	—	—



TYPE	Reel/pcs	P	Po	P2	t	D
MS2012LS	2000	4	4	2	1	8