



MS2012LD SERIES ~ Wire Wound Ferrite Chip Inductors



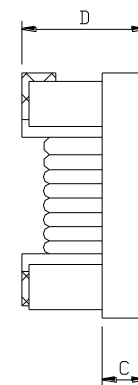
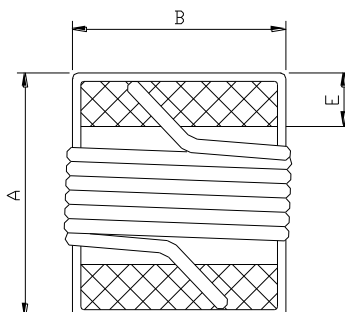
PART NUMBERING SYSTEM

MS	2012LD	—	1R0M	—	LF
TYPE	DIMENSIONS		INDUCTANCE		LEAD FREE

FEATURES :

1. Low profile 1.40mm max. (1.30mm typ.)
2. MS2012LD products conforms to the standards that are slated to be introduced under the RoHS Directive.
3. Applications for Audio-visual equipment , cable modems , ADSL , mobile base stations .

SHAPES AND DIMENSIONS

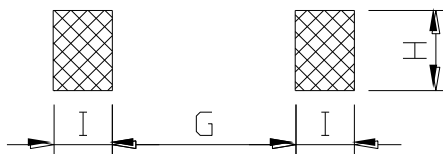


UNIT : mm

A=2.4 Max. B=1.6 Max. C=0.51 Ref. D=1.4 Max. E=0.44±0.1

RECOMMENDED PATTERNS

UNIT : mm



G=0.76 H=1.78 I=1.02

MS2012LD SERIES ~ Wire Wound Ferrite Chip Inductors



SPECIFICATION TABLE

PART NUMBER	INDUCTANCE (μ H)	TOLERANCE	Q. Typ.	SRF (MHz) Typ.	DCR (Ω) (Typ.)	Isat(mA) (max)	Irms(mA) (max)
MS2012LD-1R0□-LF	1.0@7.96MHz	K , M	14@7.96MHz	208	0.13	1100	1300
MS2012LD-1R5□-LF	1.5@7.96MHz	K , M	14@7.96MHz	159	0.17	920	1260
MS2012LD-1R8□-LF	1.8@7.96MHz	K , M	14@7.96MHz	112	0.20	860	1080
MS2012LD-2R2□-LF	2.2@7.96MHz	K , M	13@7.96MHz	87	0.22	740	1040
MS2012LD-2R7□-LF	2.7@7.96MHz	K , M	13@7.96MHz	72	0.25	680	1040
MS2012LD-3R3□-LF	3.3@7.96MHz	K , M	12@7.96MHz	70	0.28	620	1020
MS2012LD-3R9□-LF	3.9@7.96MHz	K , M	14@7.96MHz	61	0.38	580	960
MS2012LD-4R7□-LF	4.7@7.96MHz	K , M	14@7.96MHz	51	0.43	520	840
MS2012LD-5R6□-LF	5.6@7.96MHz	K , M	12@7.96MHz	47	0.50	480	800
MS2012LD-6R8□-LF	6.8@7.96MHz	K , M	14@7.96MHz	46	0.68	420	700
MS2012LD-8R2□-LF	8.2@7.96MHz	K , M	13@7.96MHz	33	0.73	400	680
MS2012LD-100□-LF	10@2.52MHz	J,K,M	14@2.52MHz	31	0.85	360	560
MS2012LD-120□-LF	12@2.52MHz	J,K,M	14@2.52MHz	30	0.90	340	460
MS2012LD-150□-LF	15@2.52MHz	J,K,M	15@2.52MHz	28	1.40	300	380
MS2012LD-180□-LF	18@2.52MHz	J,K,M	15@2.52MHz	27	1.55	280	360
MS2012LD-220□-LF	22@2.52MHz	J,K,M	15@2.52MHz	20	1.76	240	340
MS2012LD-270□-LF	27@2.52MHz	J,K,M	15@2.52MHz	17	2.00	220	300
MS2012LD-330□-LF	33@2.52MHz	J,K,M	15@2.52MHz	17	2.35	200	300
MS2012LD-470□-LF	47@2.52MHz	J,K,M	14@2.52MHz	15	3.40	160	280
MS2012LD-680□-LF	68@2.52MHz	J,K,M	14@2.52MHz	10	4.45	140	240
MS2012LD-101□-LF	100@2.52MHz	J,K,M	10@2.52MHz	9	7.50	100	180

※ Inductance,Q and SRF are measured in HP-E4991A impedance analyzer with HP-16197A fixture.

※ Inductance Tolerance : J=5%, K=10%, M=20%.

※ RDC is measured in Chroma 16502 mill ohm meter.(or equivalent)

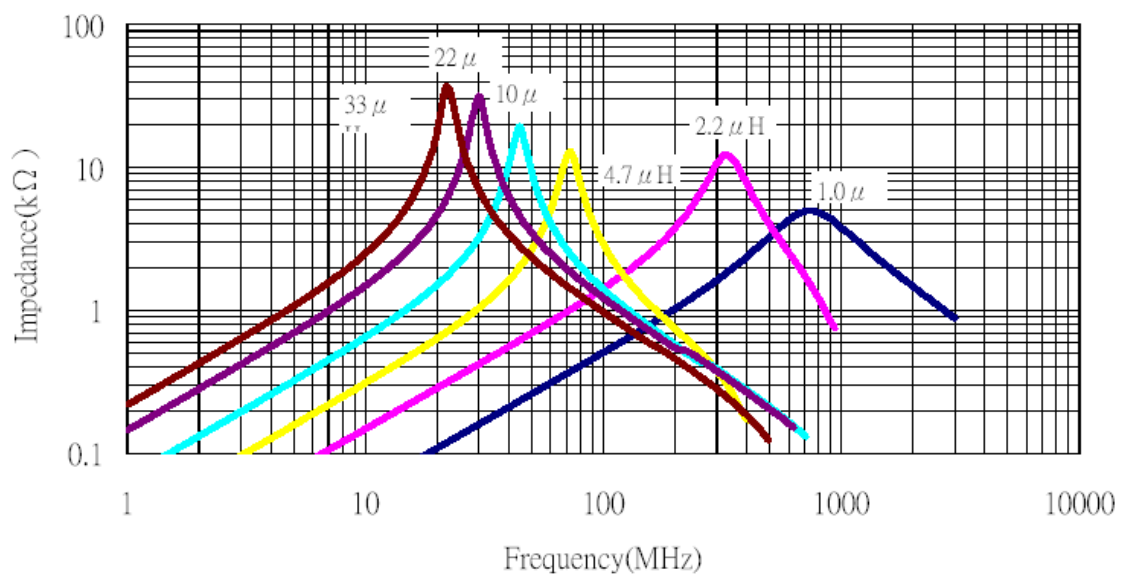
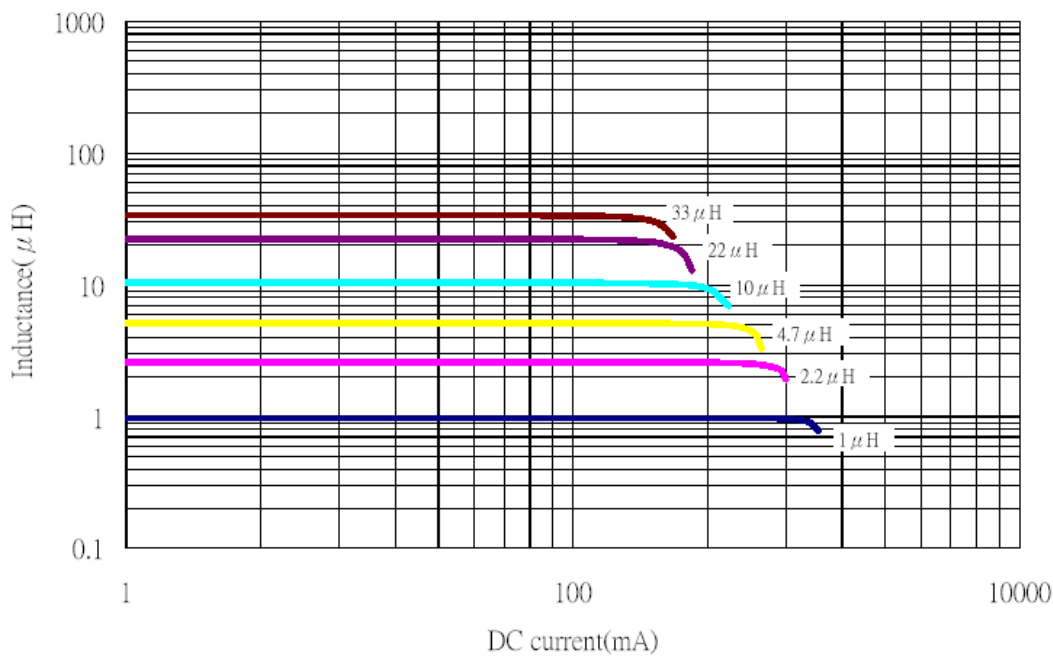
※ Irms For 15°C rise form 25°C ambient.



MS2012LD SERIES ~ Wire Wound Ferrite Chip Inductors



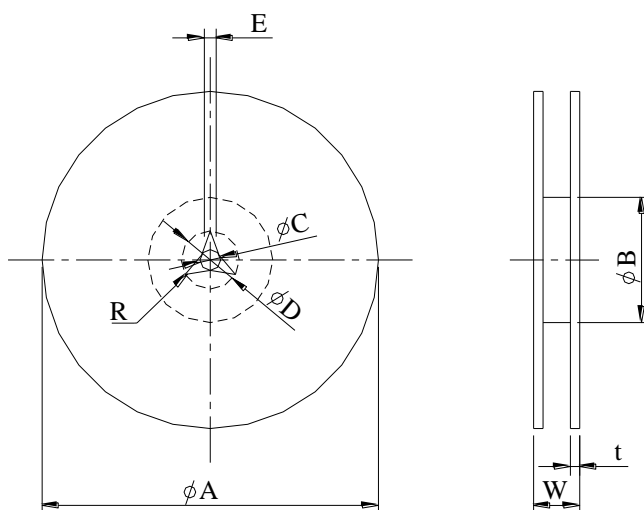
CURVE



MS2012LD SERIES ~ Wire Wound Ferrite Chip Inductors



PACKAGING SPECIFICATION



	A	B	C	D	E	W	t	R
T($\phi 180\text{mm}$) Reel	$\phi 180$	$\phi 60$	$\phi 13$	—	—	14.4	—	—

TYPE	Reel/pcs	P	Po	P2	t	D
MS2012LD	2000	4	4	2	1	8