

MM32253P SERIES ~ 3 Line Common Mode Choke



FEATURES

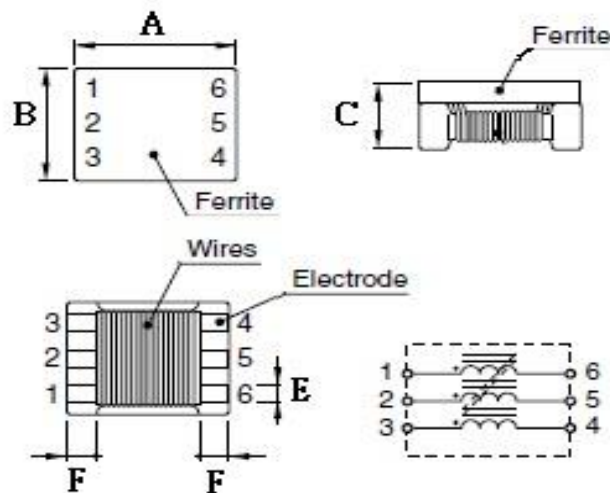
1. Miniature surface mount component – 3.2 × 2.5 mm footprint, 1.8 mm high
2. Application for common mode noise of high-speed differential signal line impact on the signal is anxious .
3. 3 Line , it is possible to correspond to the various circuits and noise .
4. RoHS-compliant, halogen free. 260°C compatible.

PART NUMBERING SYSTEM

MM	32253P	—	601	—	LF
TYPE	DIMENSIONS		INDUCTANCE		LEAD FREE

SHAPES AND DIMENSIONS

UNIT : mm



$$A=3.2\pm 0.2 \quad B=2.5\pm 0.2 \quad C=1.8 \text{ Max.} \quad D=0.2\pm 0.1 \quad E=0.6\pm 0.1 \quad F=0.65\pm 0.1$$

SPECIFICATION TABLE

PART NUMBER	Common Mode Impedance(Ω) (at 100MHz)	RATED CURRENT (mA)	DCR (Ω) (Max)	RATED VOLTAGE (VDC Typ.)	INSULATION RESISTANCE (M Ω)
MM32253P-601-LF	600 \pm 25%	100	0.50	50	10 min.

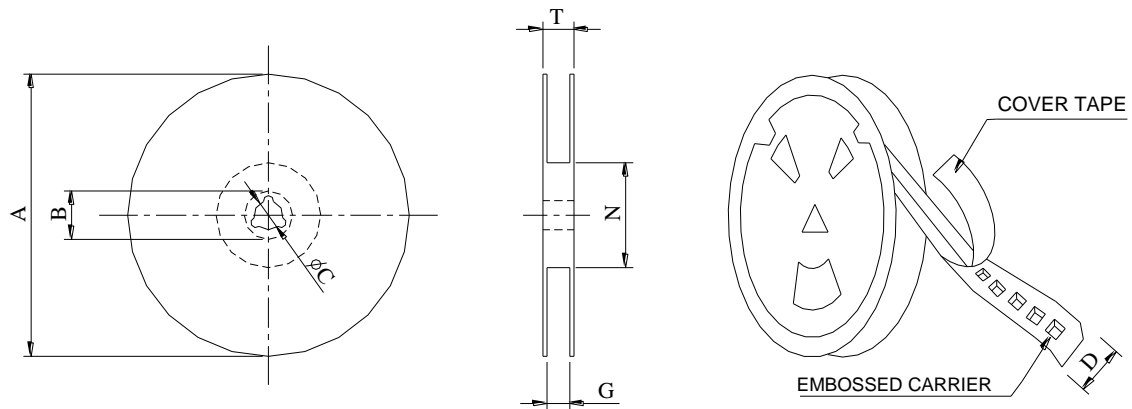
Operating Temperature Range : -40°C to +85°C



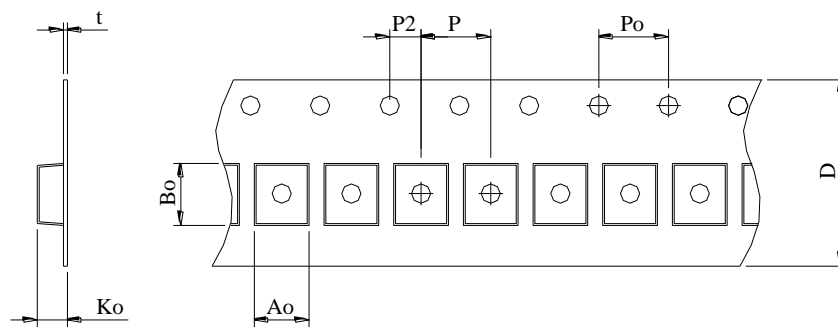
MM32253P SERIES ~ 3 Line Common Mode Choke



PACKAGING SPECIFICATION



*CARRIER TAPE WIDTH : D



SERIES	STAYLE	Q'TY (PCS)	DIMENSIONS (m/m)								
			A	Ao	Bo	Ko	t	N	P	Po	D
MM32253P	178	1,000	178	2.80	3.60	1.80	0.24	60	4	4	8.0