

ML4532 SERIES – Multilayer Chip Inductors

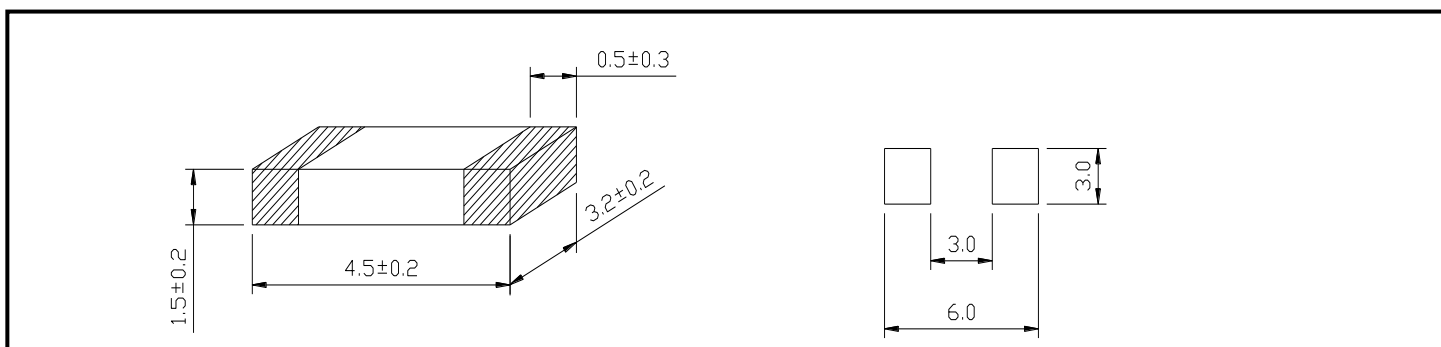


PART NUMBERING SYSTEM

ML	4532	—	100K	—	LF
TYPE	DIMENSIONS		INDUCTANCE		LEAD FREE

SHAPES AND DIMENSIONS

UNIT : mm



FEATURES

1. Monolithic structure for high reliability .
2. Excellent solder ability and high heat resistance for either flow or reflow soldering .
3. Closed magnetic circuit avoids crosstalk and is suitable for high density printed circuit boards .

APPLICATION

1. Personal or notebook computers and peripheral equipment (CD-ROM , Hard Disk , Modem , Printers) .
2. Other various electronic appliances .

SPECIFICATION TABLE

PART NUMBER	INDUCTANCE (μ H)	Q. MIN.	L, Q (MHz) TEST FREQUENCY	SRF (MHz) MIN.	DCR (Ω) (max)	IDC(mA) (max)
ML4532-1R0K-LF	1.0±10%	35	10	75	0.40	100
ML4532-1R2K-LF	1.2±10%	35	10	65	0.50	100
ML4532-1R5K-LF	1.5±10%	35	10	60	0.50	50
ML4532-1R8K-LF	1.8±10%	35	10	55	0.50	50

ML4532 SERIES – Multilayer Chip Inductors



SPECIFICATION TABLE

PART NUMBER	INDUCTANCE (μ H)	Q. MIN.	L, Q (MHz) TEST FREQUENCY	SRF (MHz) MIN.	DCR (Ω) (max)	IDC(mA) (max)
ML4532-2R2K-LF	2.2 \pm 10%	35	10	50	0.60	50
ML4532-2R7K-LF	2.7 \pm 10%	35	10	45	0.60	50
ML4532-3R3K-LF	3.3 \pm 10%	35	10	41	0.70	50
ML4532-3R9K-LF	3.9 \pm 10%	35	10	38	0.80	50
ML4532-4R7K-LF	4.7 \pm 10%	35	10	35	0.90	50
ML4532-5R6K-LF	5.6 \pm 10%	35	4	32	0.70	25
ML4532-6R8K-LF	6.8 \pm 10%	40	4	29	0.70	25
ML4532-8R2K-LF	8.2 \pm 10%	40	4	26	0.90	25
ML4532-100K-LF	10 \pm 10%	40	1	24	1.00	25
ML4532-120K-LF	12 \pm 10%	40	2	22	1.05	15
ML4532-150K-LF	15 \pm 10%	35	1	19	0.70	5
ML4532-180K-LF	18 \pm 10%	35	1	18	0.70	5
ML4532-220K-LF	22 \pm 10%	35	1	16	0.90	5
ML4532-270K-LF	27 \pm 10%	35	1	14	0.90	5
ML4532-330K-LF	33 \pm 10%	35	0.4	13	1.05	5
ML4532-390K-LF	39 \pm 10%	40	2	11	3.00	10
ML4532-470K-LF	47 \pm 10%	40	2	10	3.40	10
ML4532-560K-LF	56 \pm 10%	40	2	9.5	3.80	5
ML4532-680K-LF	68 \pm 10%	40	1	9.5	3.00	5
ML4532-820K-LF	82 \pm 10%	40	1	9	3.40	5
ML4532-101K-LF	100 \pm 10%	40	1	8	3.80	5
ML4532-121K-LF	120 \pm 10%	30	0.4	6	3.00	5
ML4532-151K-LF	150 \pm 10%	30	0.4	5.5	3.40	3
ML4532-181K-LF	180 \pm 10%	30	0.4	5	3.80	3
ML4532-221K-LF	220 \pm 10%	30	0.4	4.5	4.20	3

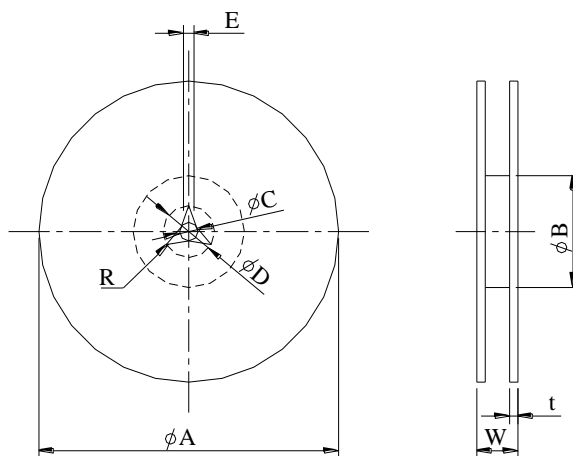
Note : inductance 1.0uH to 100uH thickness is 1.50 \pm 0.3mm , inductance 120uH to 220uH thickness is 2.20 \pm 0.3mm ,



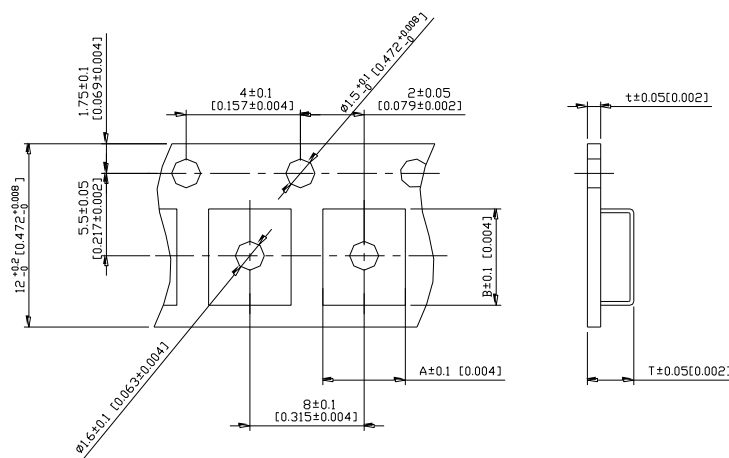
ML4532 SERIES – Multilayer Chip Inductors



PACKAGING SPECIFICATION



	A	B	C	D	E	W8	W12	t	R
T(ψ178mm) Reel	ψ178±2	ψ60±1	ψ13±0.8	ψ21±0.8	2	10±1.5	14.5±1.5	1.27±0.2	1



TYPE	A	B	T	t	T(ψ178mm)	T(ψ330mm)
4532	3.60	4.90	2.05	0.3	1000 pcs/reel	-